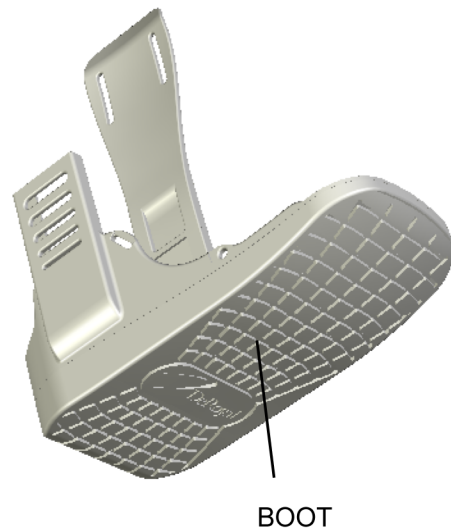
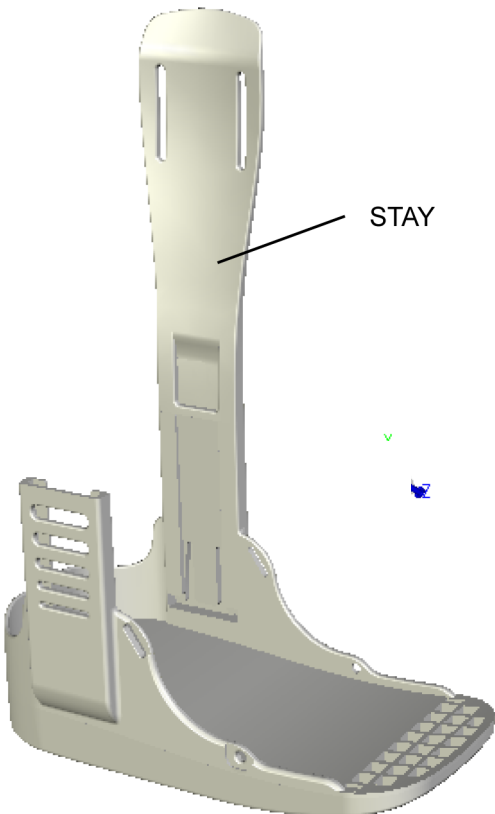
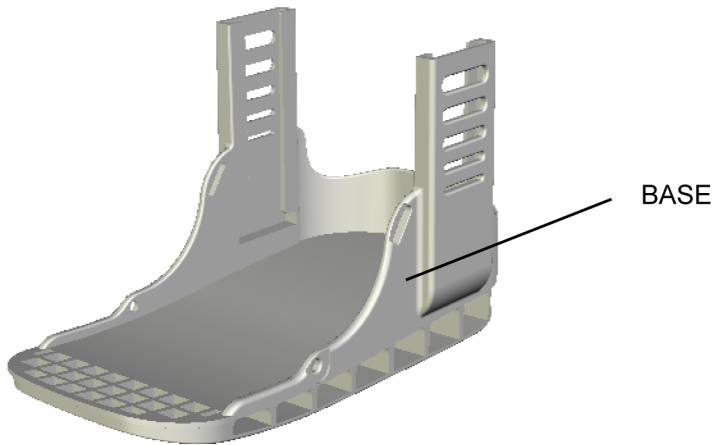


INLINE WALKER BOOT



- Heavy duty flared uprights are color-coded for easy size identification
- Low profile rocker bottom promotes natural gait
- Wide foot plate provides patient comfort and stability
- Treaded sole for patient safety
- Available in open or closed heel design
- Offered in both standard and low top versions