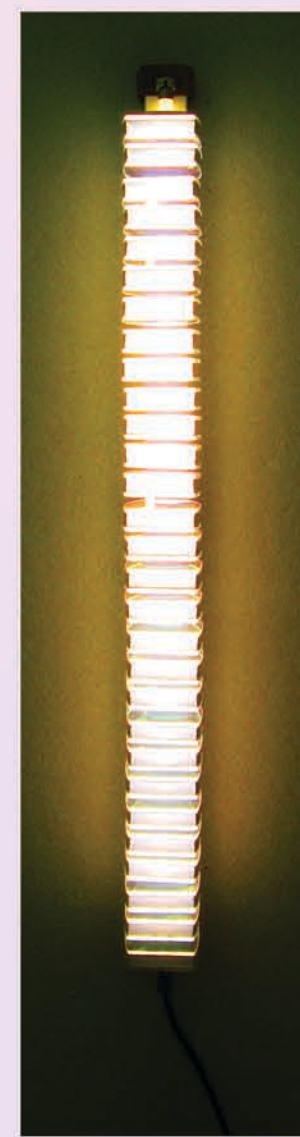


Kivuti

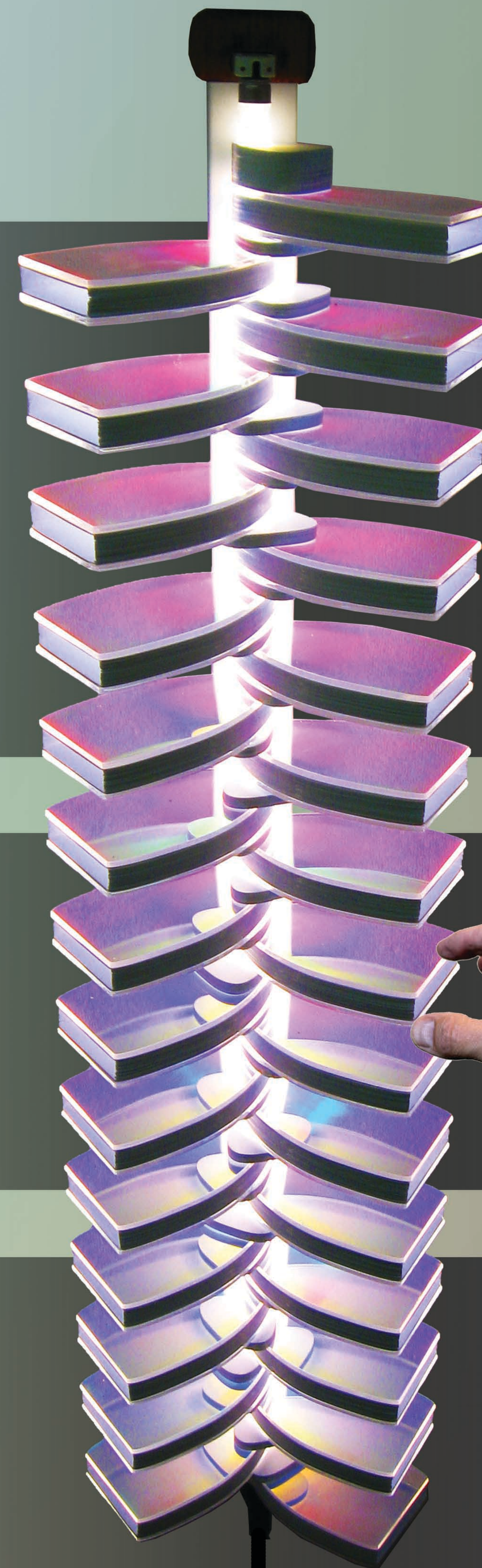
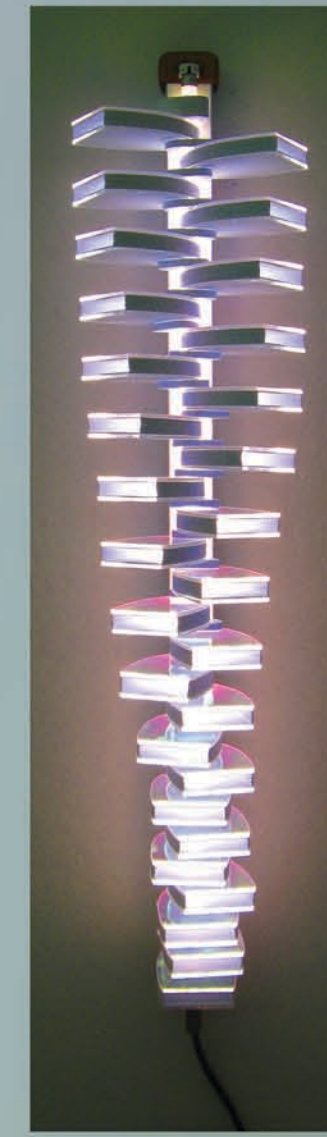
Josh Dores



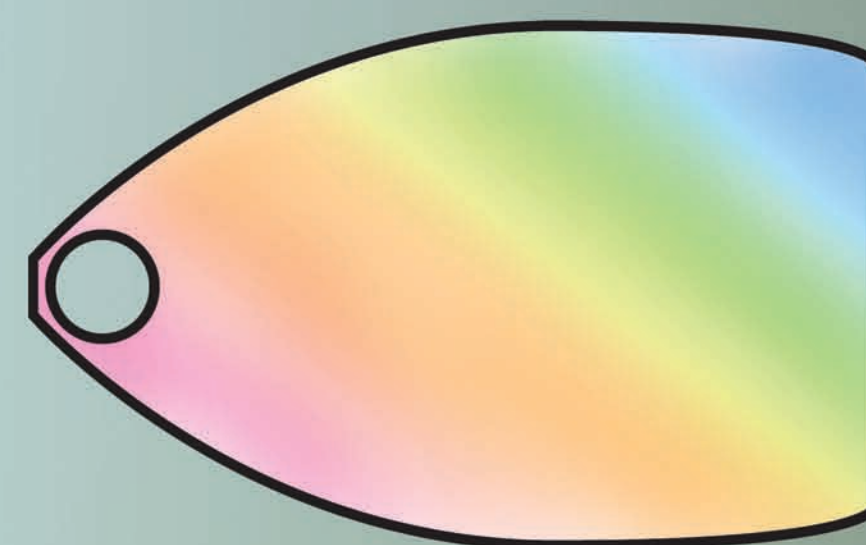
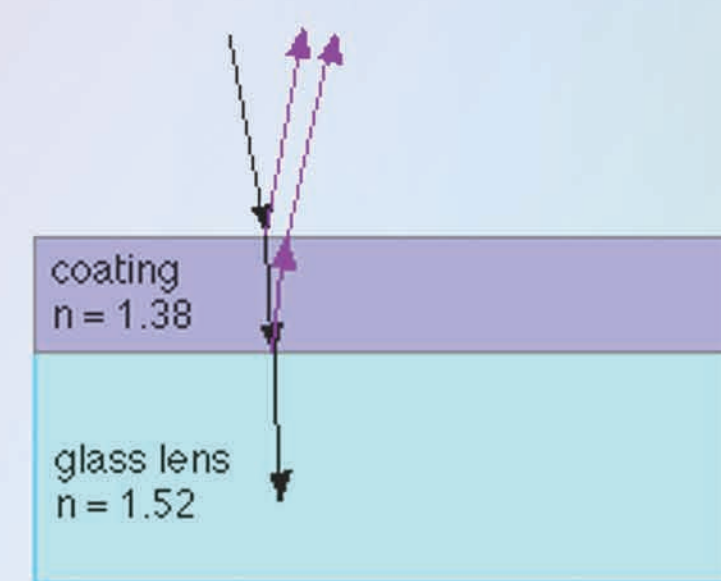
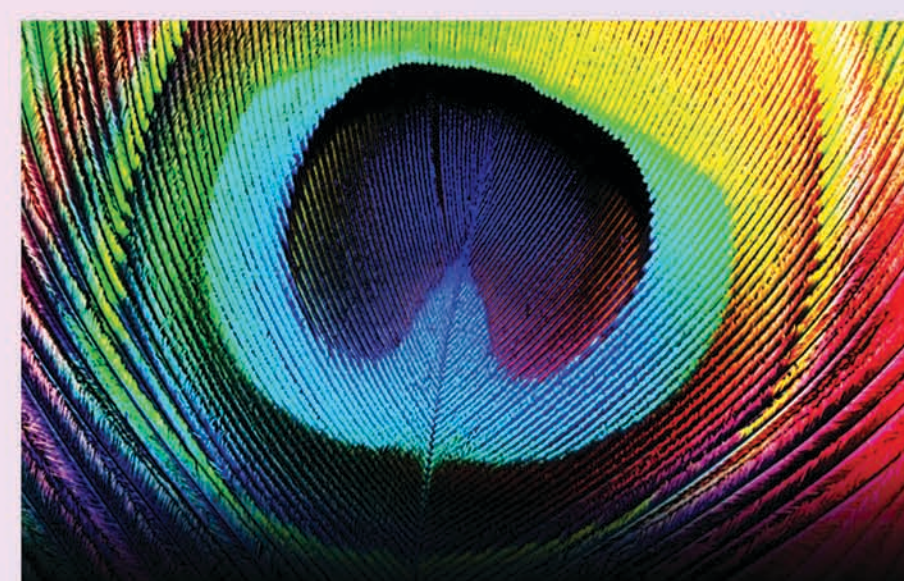
Function



Aesthetics



Thin-Film Interference



Golden Ratio

