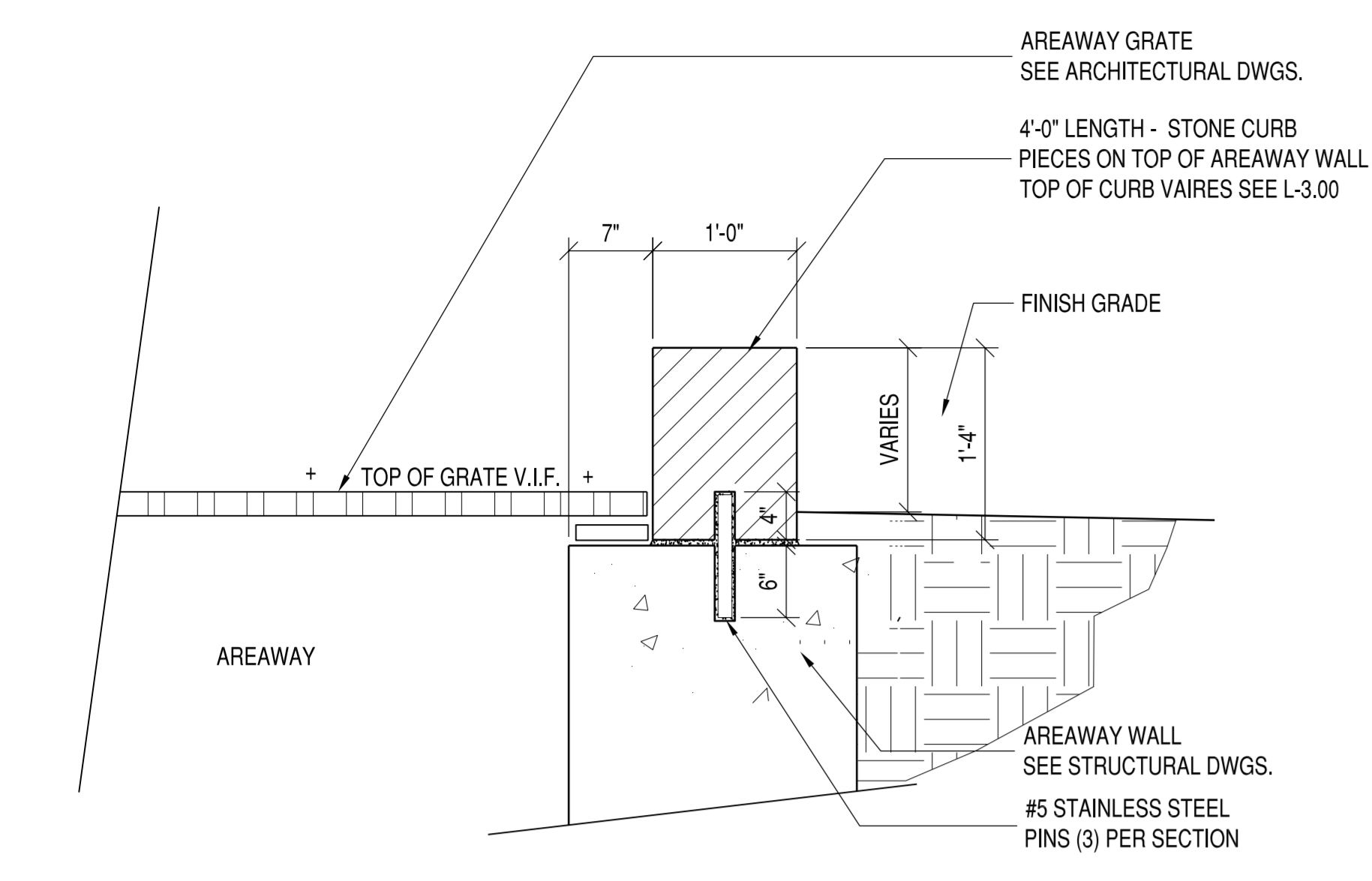


LEERS WEINZAPFEL ASSOCIATES
ARCHITECT OF RECORD
280 SUMMER STREET
BOSTON, MA 02210
617-423-5711

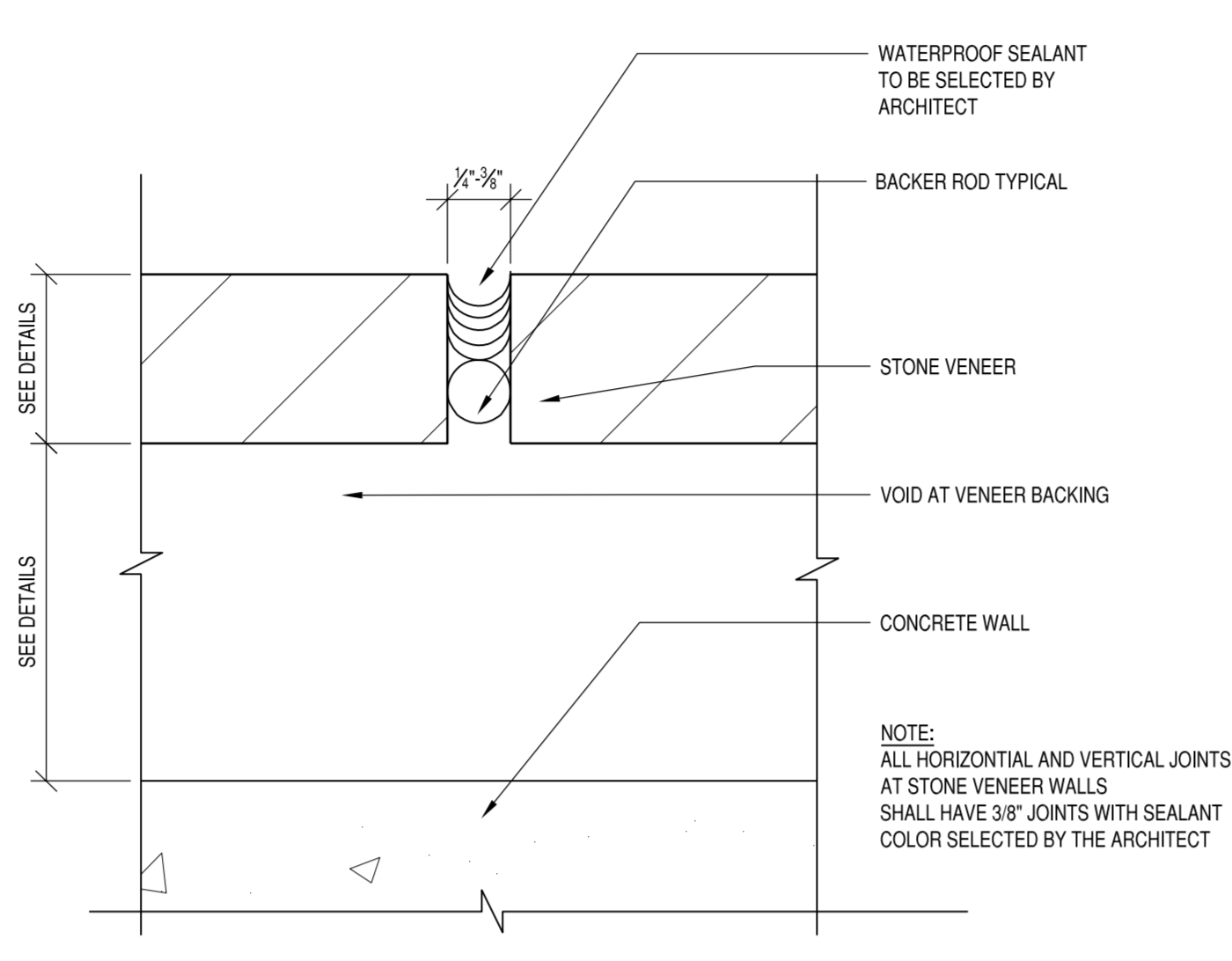
MAKI AND ASSOCIATES
DESIGN ARCHITECT
13-4 HACHIYAMA CHO
SHIBUYA KU, TOKYO 150-0035
81-3-3780-3880

STRATA DESIGN
ASSOCIATES, INC.
LANDSCAPE ARCHITECTS, PLANNERS
129 SOUTH STREET BOSTON, MA 02111
617-956-9955 617-482-4882 fax
jsh@stratadesigninc.com

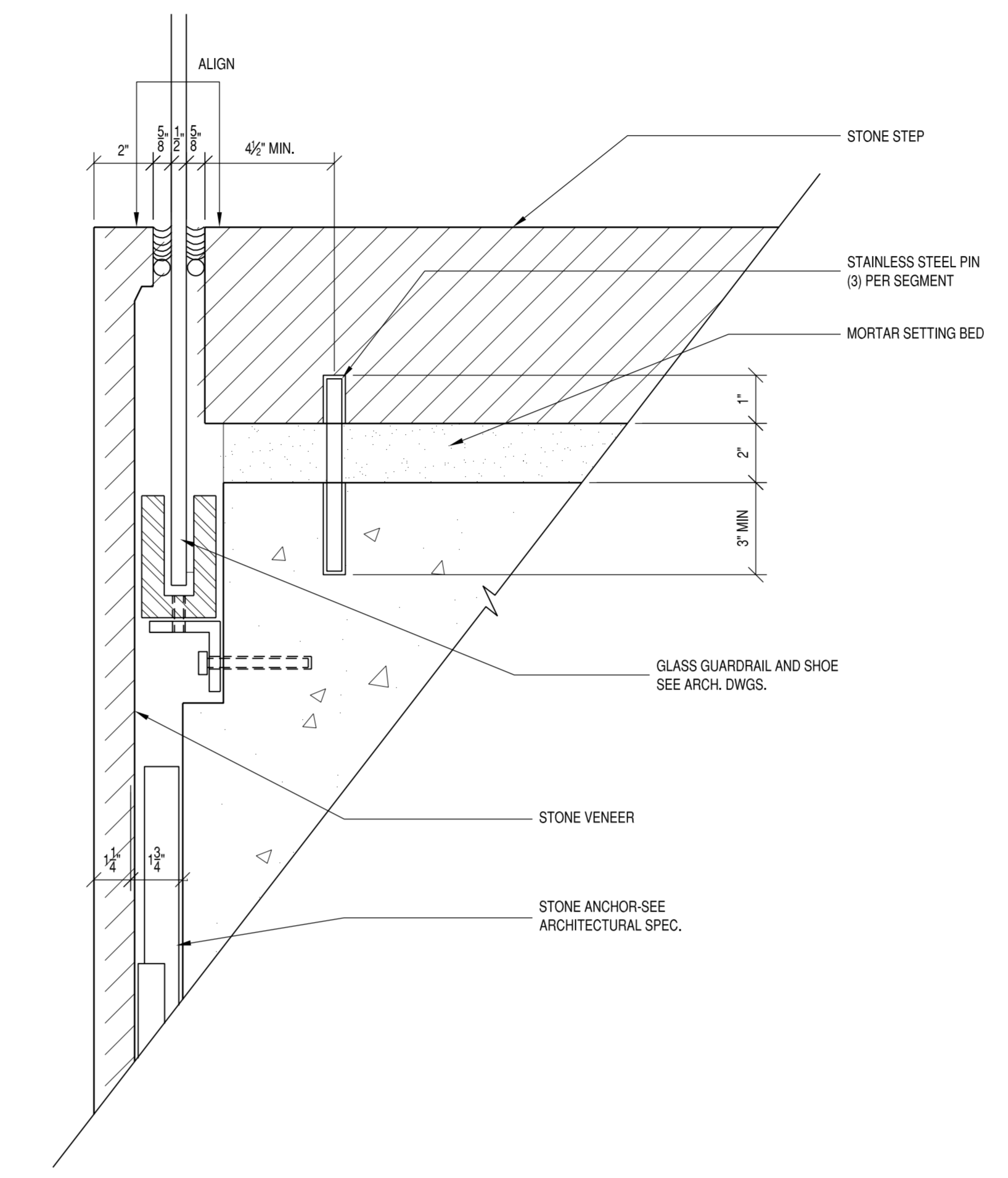
REVISIONS:
rev.#1 04-04-08 RFI-081 rev-1



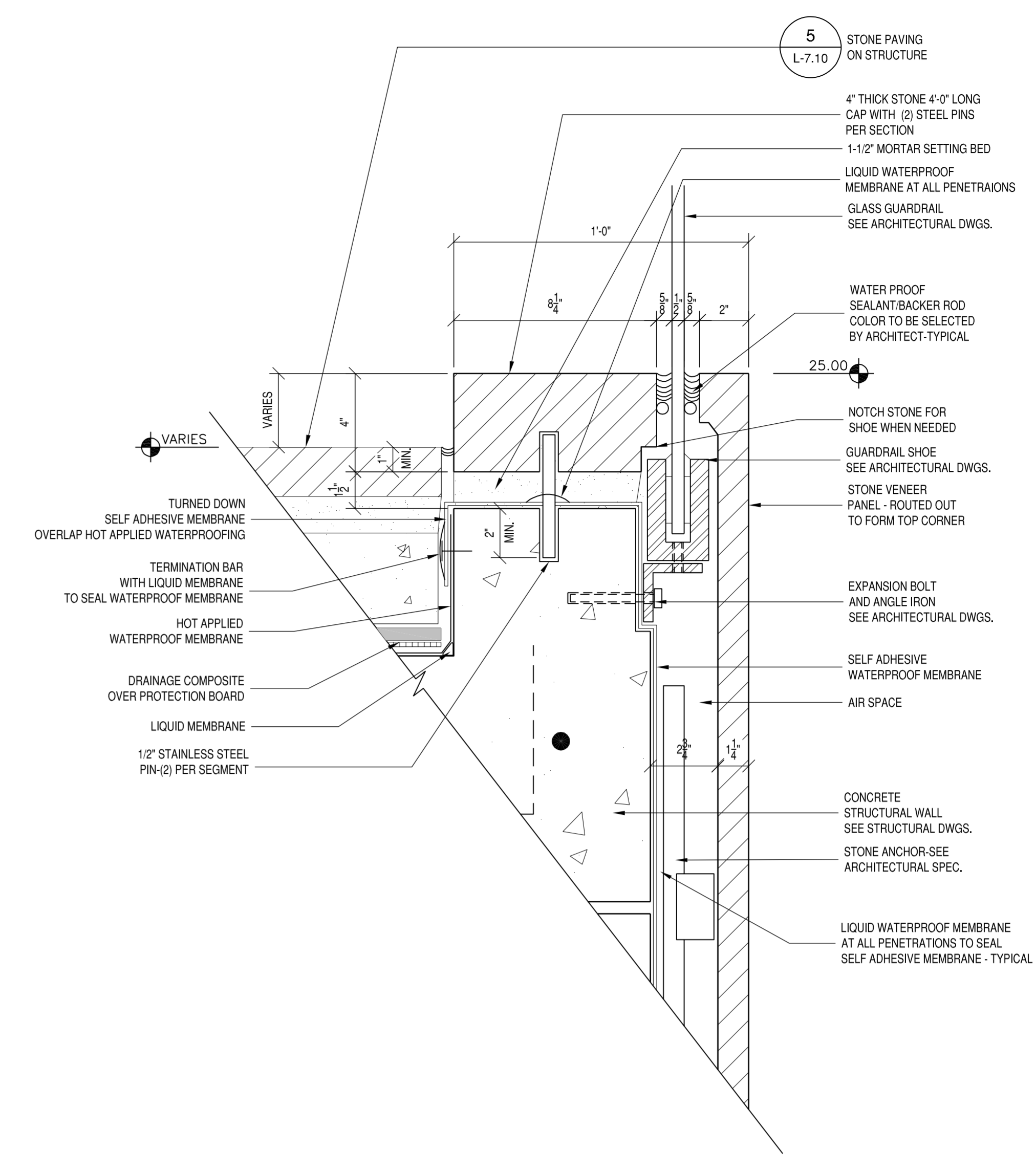
10 AREAWAY CURB
1" = 1'-0"



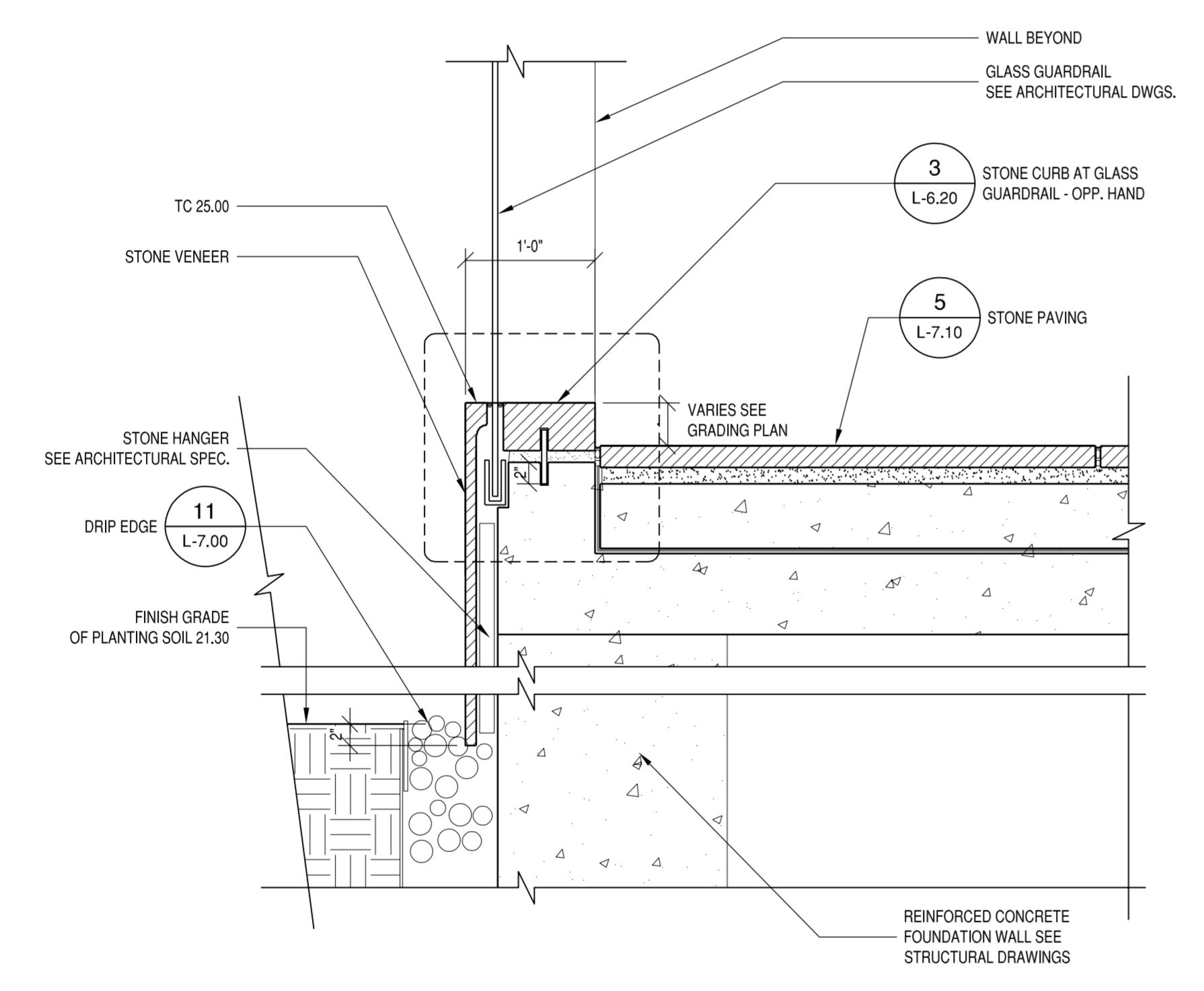
8 JOINT AT STONE VENEER
1" = 1"



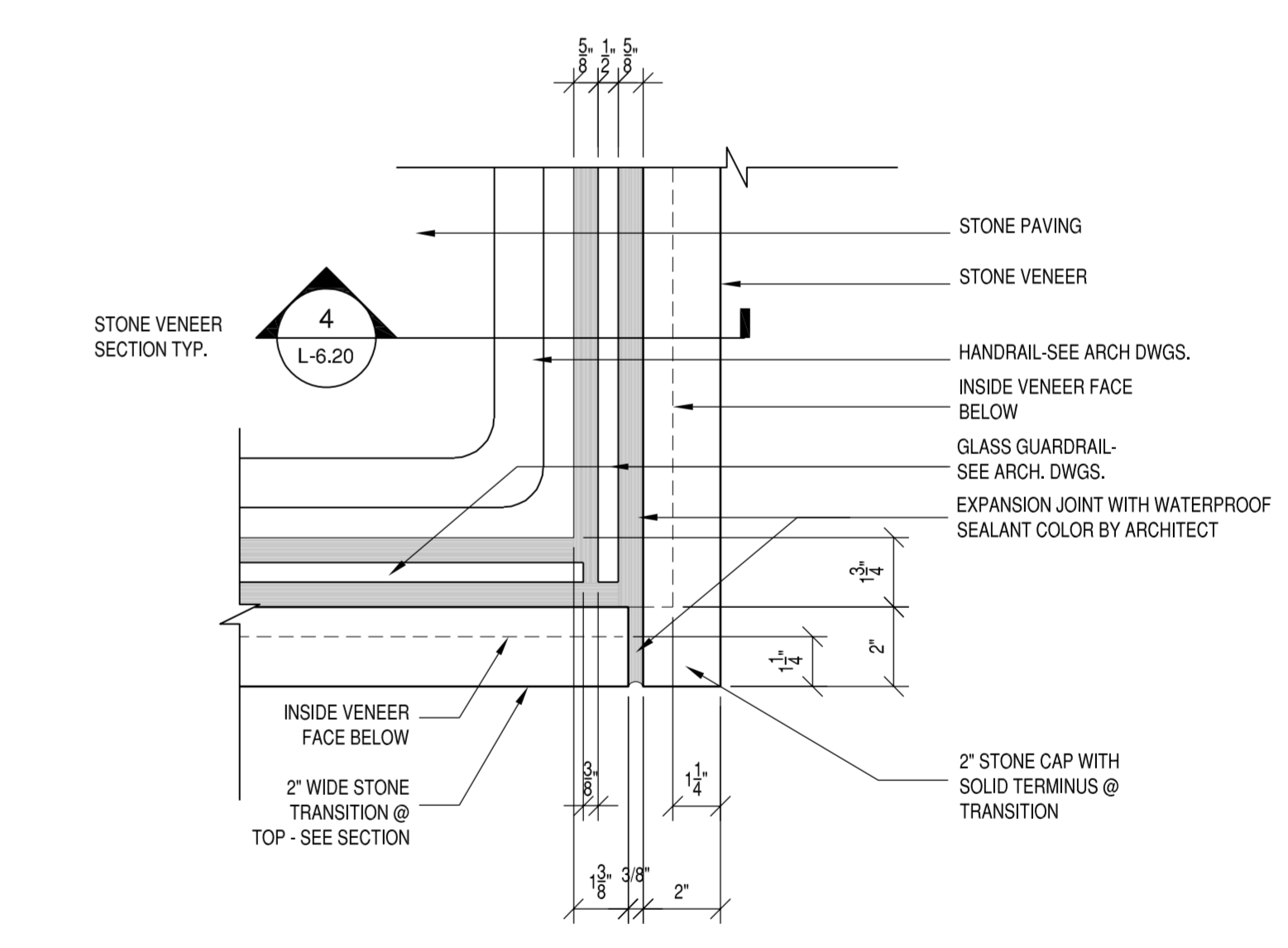
5 STONE VENEER AND GLASS GUARDRAIL AT STEP
3" = 1'-0"



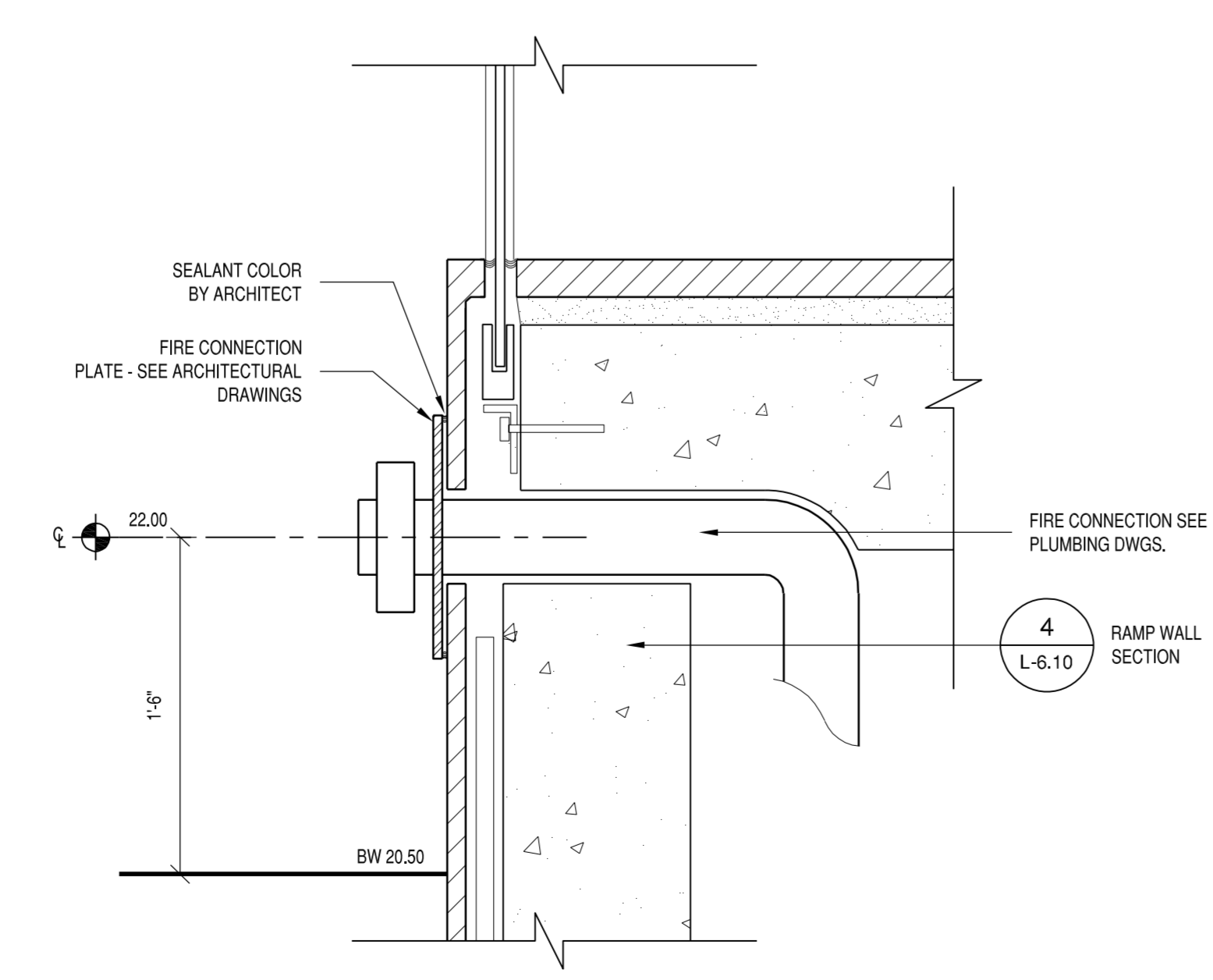
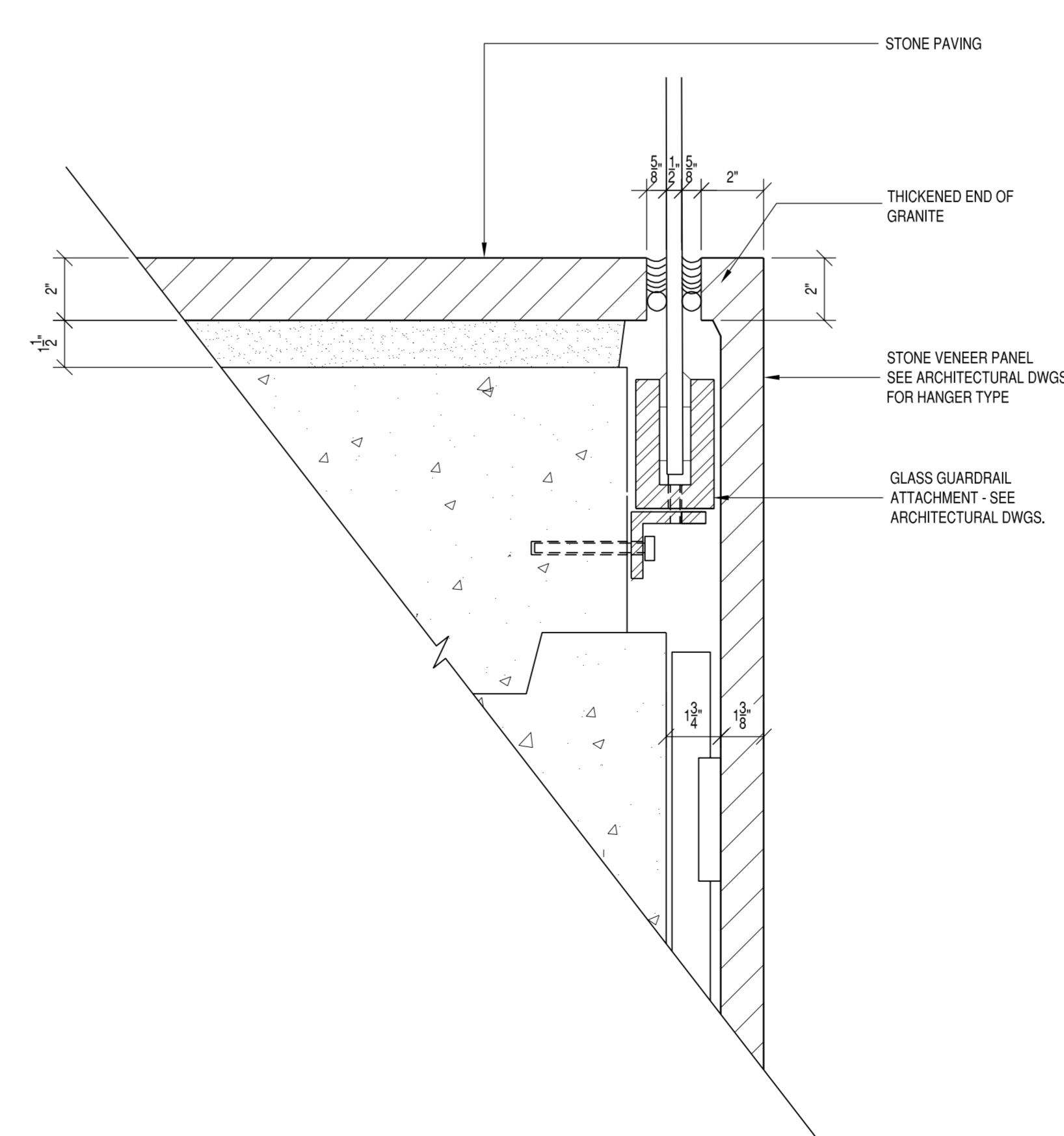
3 STONE CURB AT GLASS GUARDRAIL - EAST TERRACE
3" = 1'-0"



7 STONE CURB AT NORTH SIDE OF EAST ENTRANCE TERRACE
1" = 1'-0"



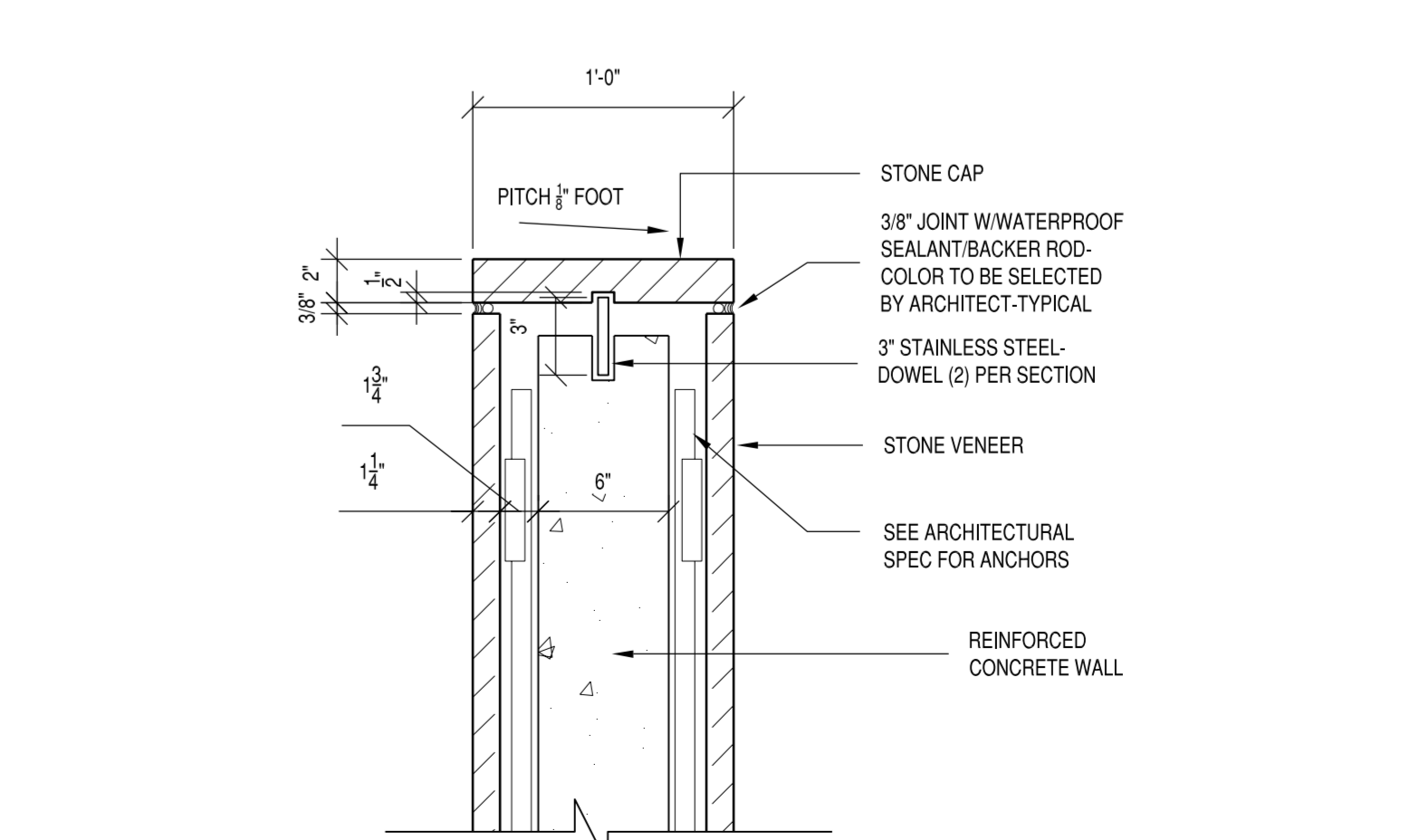
4 STONE VENEER AND GLASS GUARDRAIL AT CORNER
3" = 1'-0"



9 STONE JOINT AT STONE VENEER AND WEEP AT GRADE
1" = 1"

6 STONE VENEER WALL AT FIRE CONNECTION
1-1/2" = 1'-0"

6 STONE VENEER AND STONE PAVING AT GLASS GUARDRAIL
3" = 1'-0"



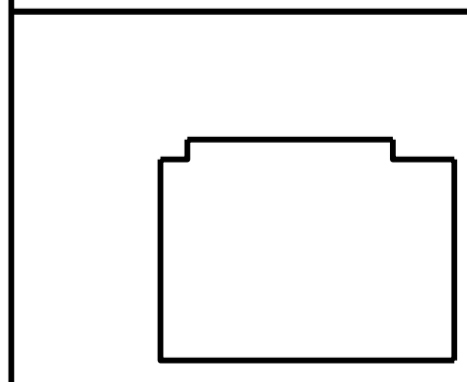
1 STONE VENEER AT TOP OF WALL - TYPICAL
1-1/2" = 1'-0"

CHECKED BY: JP

PROJECT #: 98152

CONSTRUCTION DOCUMENTS NOVEMBER 15, 2006

RECORD DRAWINGS MARCH 5, 2010



KEY

SCALE: AS SHOWN

WALL VENEER DETAILS

L 6.20