

**NOTES:**

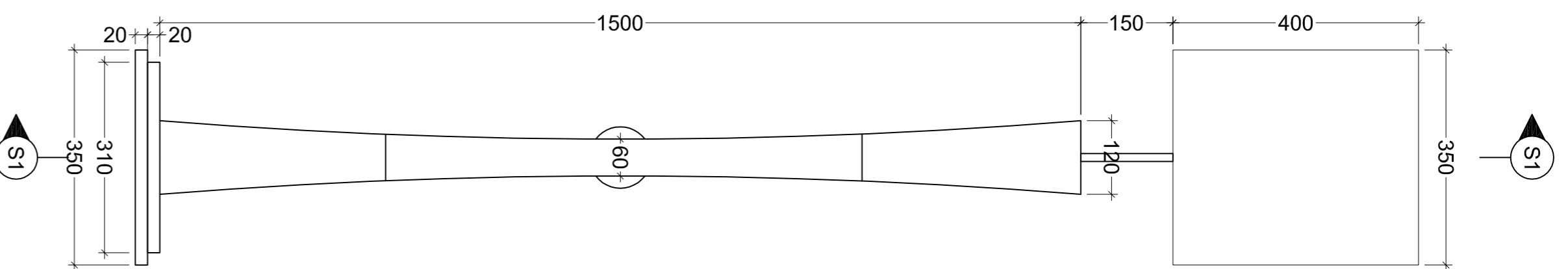
Ø12.7MM X 2MM MILD STEEL SEAMLESS TUBE WITH DISTRESSED GOLD PAINT FINISH - FIXED TO TOP BASE PLATE WITH M10 THREADED HOLLOW TUBE AND NUT FROM BELOW

RADIUS ALUMINIUM LEGS WITH CROSS HALF JOINT AND SEAMLESS FINISH AND DISTRESSED GOLD PAINT FINISH

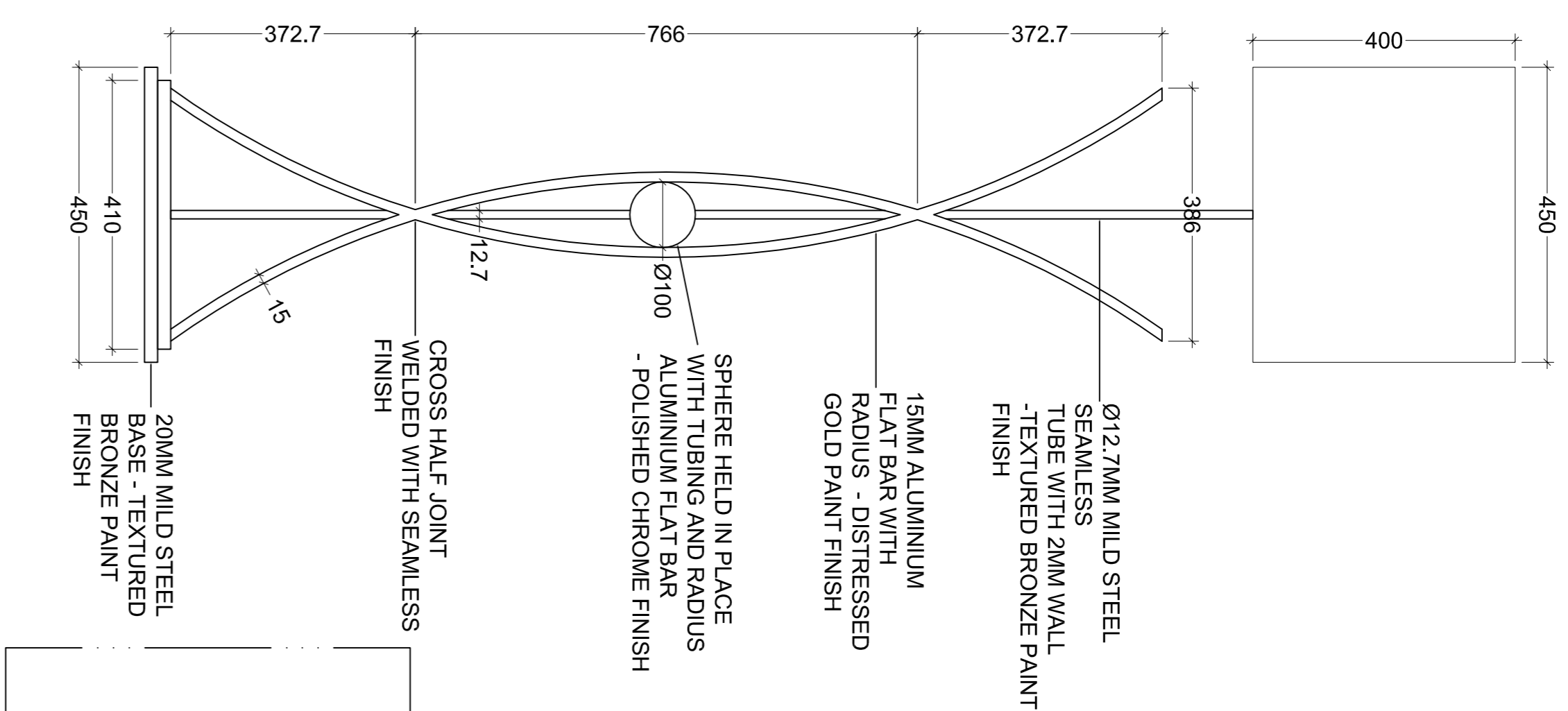
THREADED STEEL BAR WELDED TO LEG AND FIXED WITH COUNTERSUNK M6 NUT TO TOP BASE FROM BELOW

Ø100MM STEEL SPHERE WITH POLISHED CHROMED FINISH HELD IN PLACE BUY LEGS AND TUBE

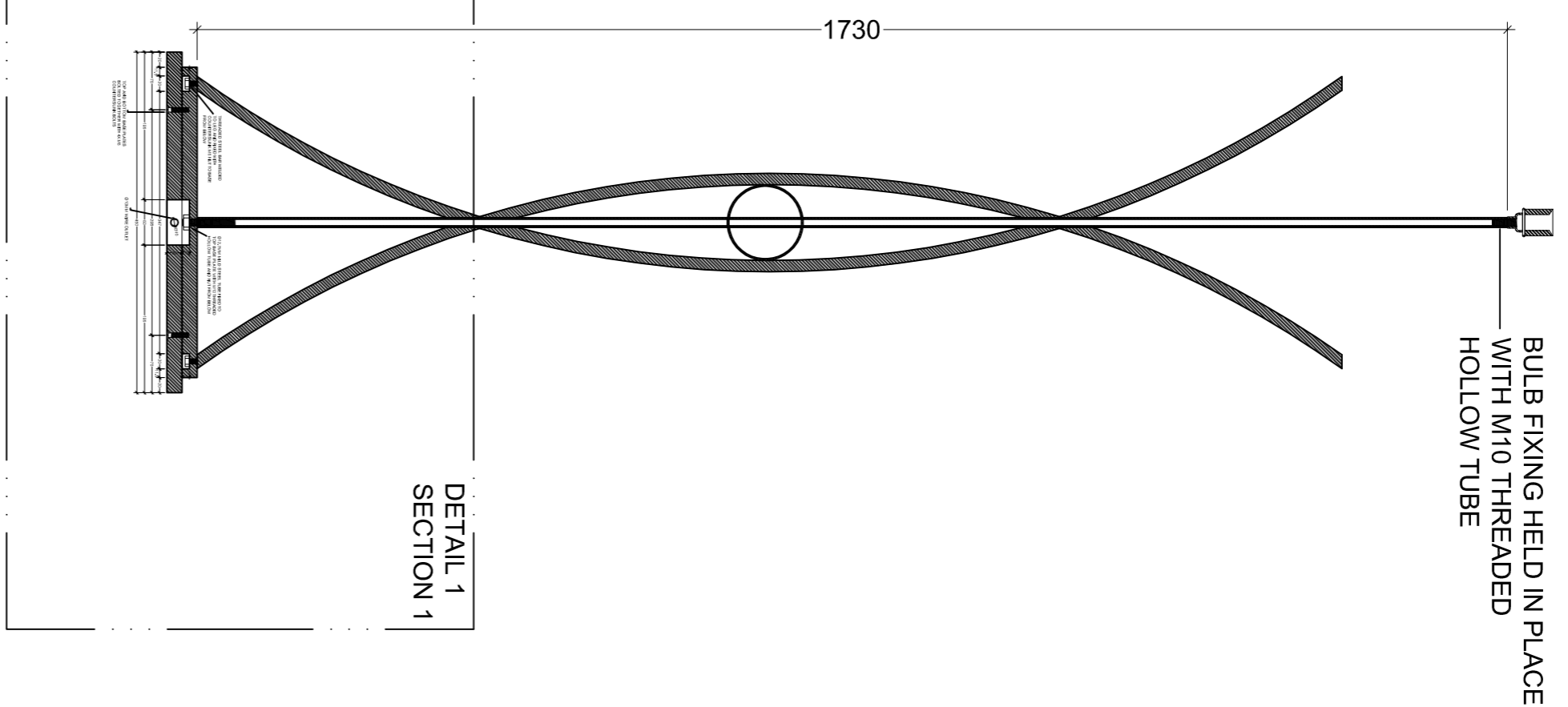
20MM STEEL BASE PLATE ROUTED OUT FOR FIXING AND WITH A TEXTURED BRONZE PAINT FINISH



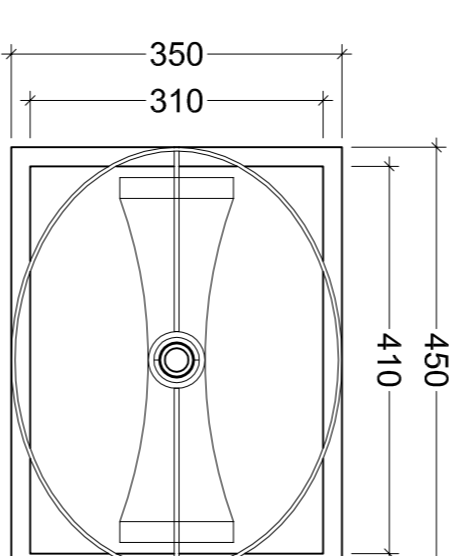
WINGFIELD FLOOR LAMP  
SIDE ELEVATION  
SCALE: 1:8



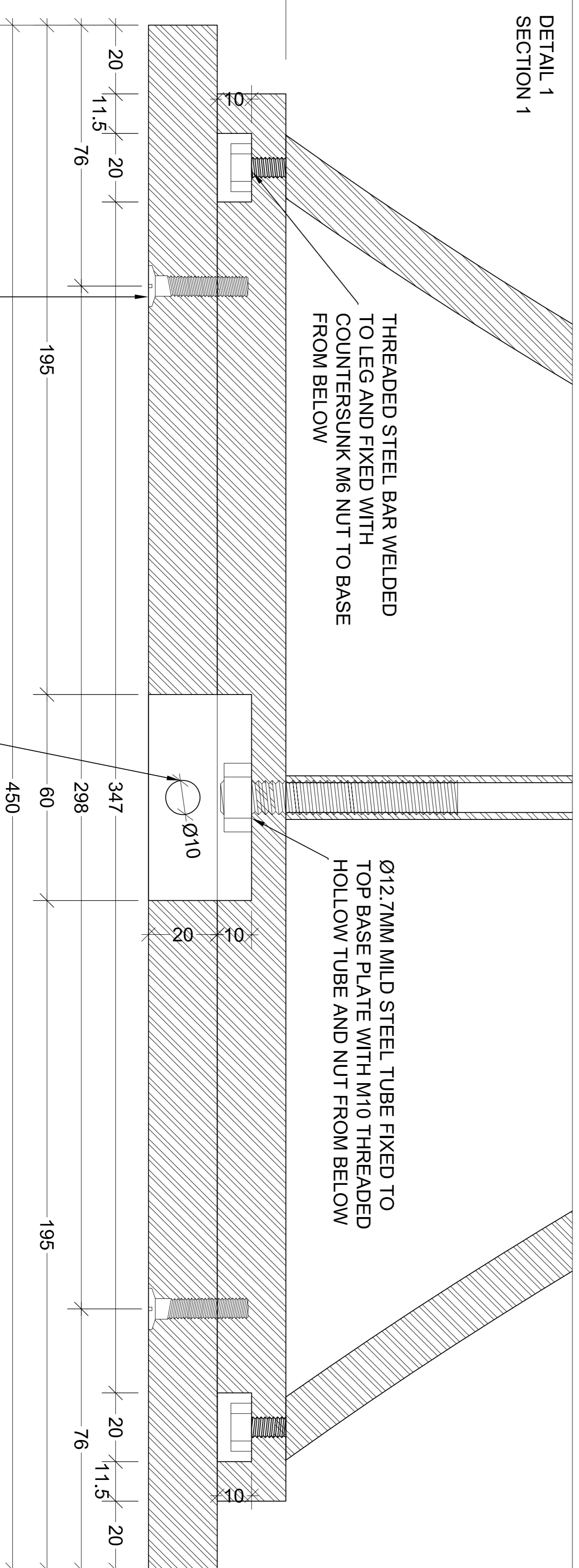
WINGFIELD FLOOR LAMP  
FRONT ELEVATION  
SCALE: 1:8



WINGFIELD FLOOR LAMP  
FRONT ELEVATION - SECTION 1  
SCALE: 1:8



WINGFIELD FLOOR LAMP  
PLAN VIEW  
SCALE: 1:8



DETAIL 1  
SECTION 1

THREADED STEEL BAR WELDED TO LEG AND FIXED WITH COUNTERSUNK M6 NUT TO BASE FROM BELOW

Ø12.7MM MILD STEEL TUBE FIXED TO TOP BASE PLATE WITH M10 THREADED HOLLOW TUBE AND NUT FROM BELOW

TOP AND BOTTOM BASE PLATES BOLTED TOGETHER WITH 4X M6 COUNTERSUNK BOLTS

Ø10MM WIRE OUTLET

This drawing is the copyright property of Decorus Furniture Ltd. Do not scale. All dimensions to be checked on site.



Client

Site Address

Scale 1:8 / 1:1 AT A1 Date Drawn 11.12.2012

Drawing Status TO BE APPROVED

**WINGFIELD FLOOR LAMP**

Room/ Area Ref

Job No Drawing Number Revision  
TBC WFL-TBC-01 00

Rev	Changes	Date
00	-	00.00.00