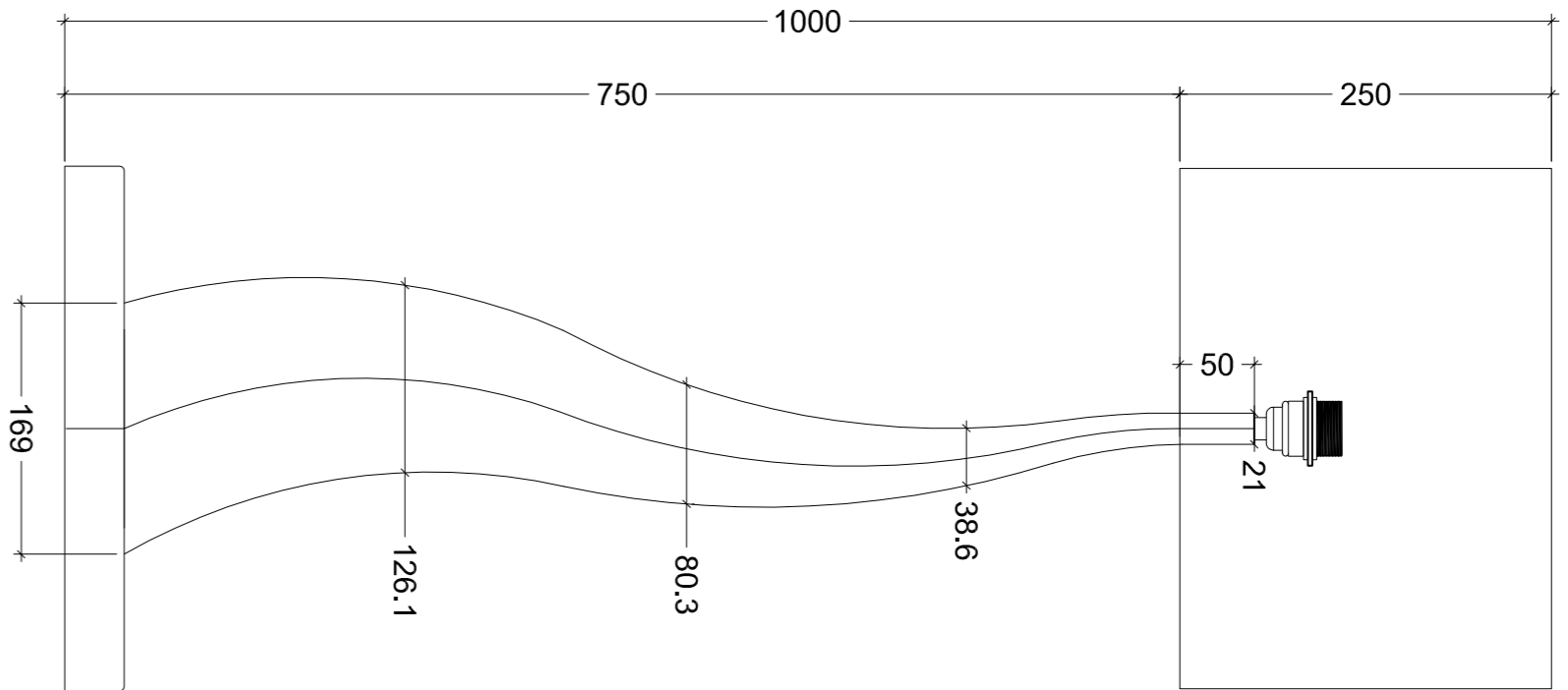
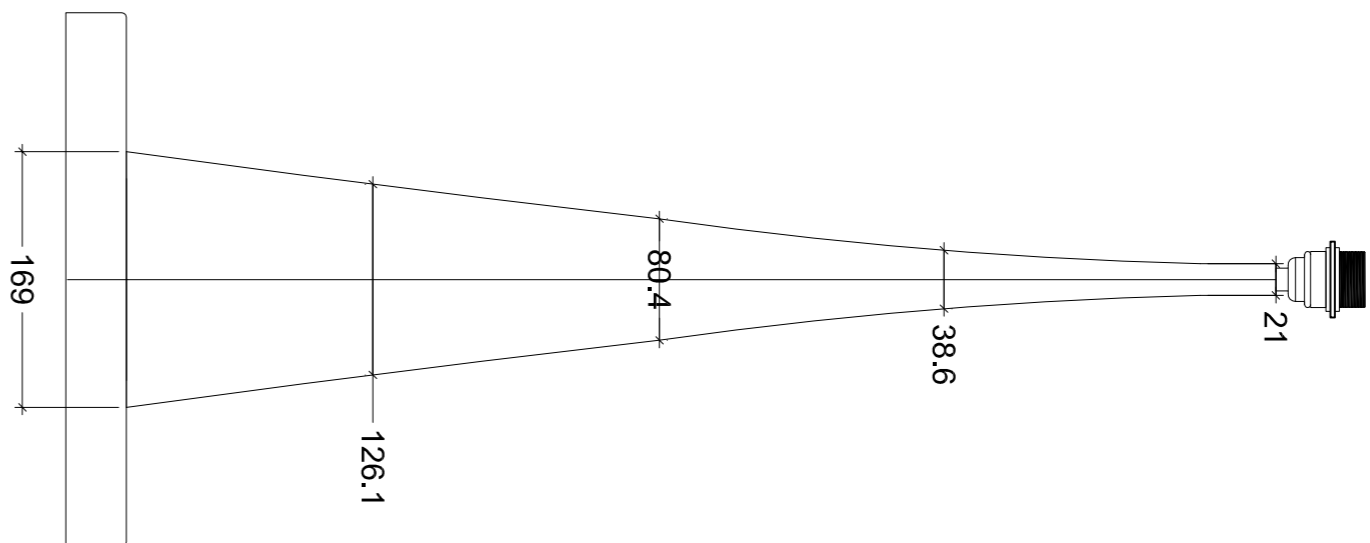


**NOTES:**

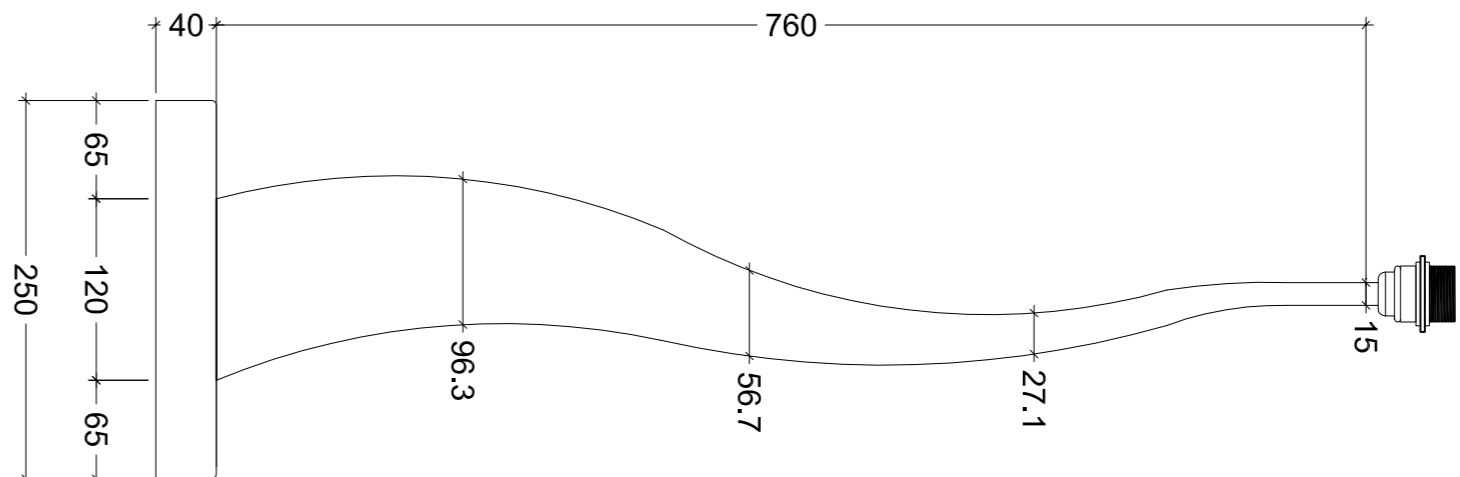
- CURVED RESIN UPRIGHT
- 40MM VENEERED MDF BASE
- 10MM LASER CUT MILD STEEL BASE PLATE FIXED WITH SCREWS



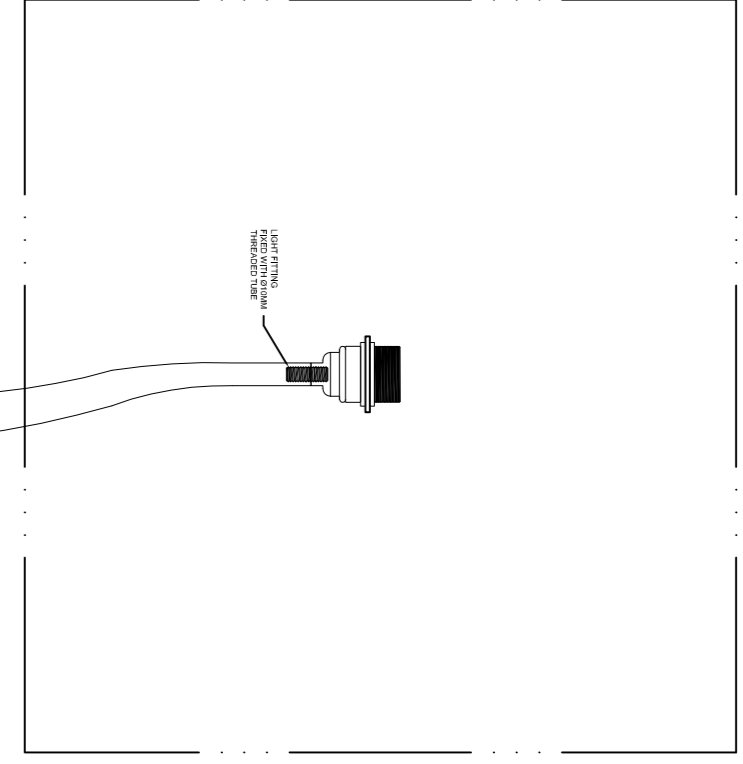
CABRIOLE FLOOR LAMP  
SIDE ANGLE VIEW  
SCALE: 1:8



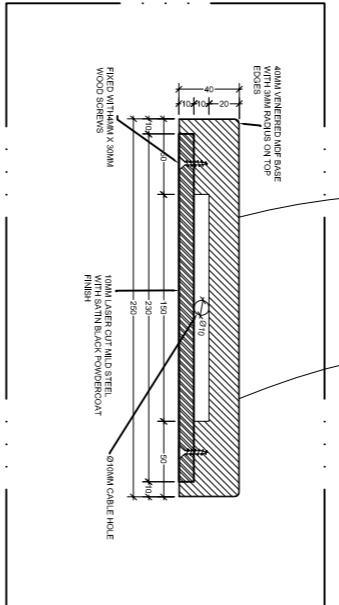
CABRIOLE FLOOR LAMP  
FRONT ANGLE VIEW  
SCALE: 1:8



CABRIOLE FLOOR LAMP  
FRONT ELEVATION  
SCALE: 1:8

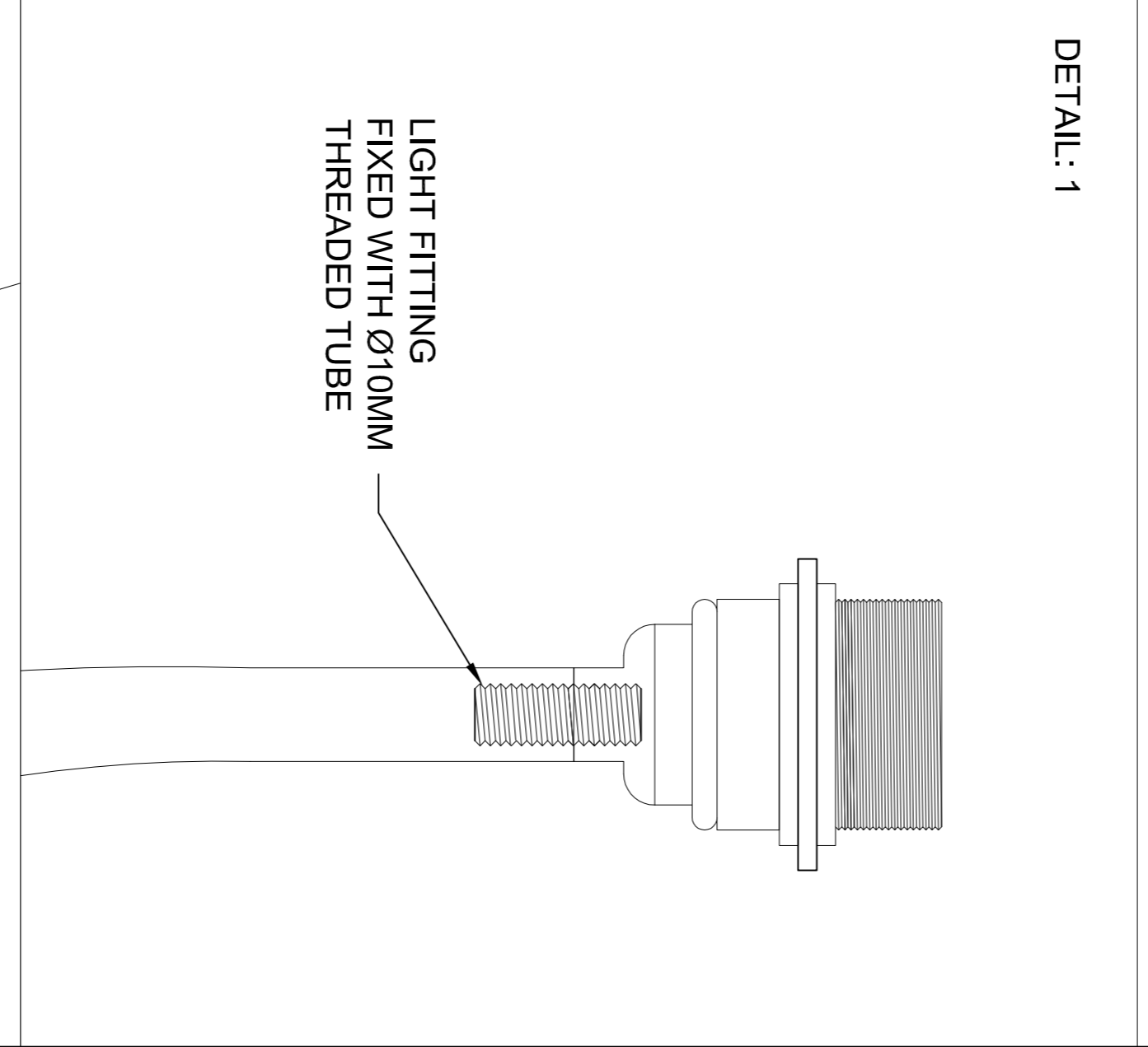


DETAIL: 1



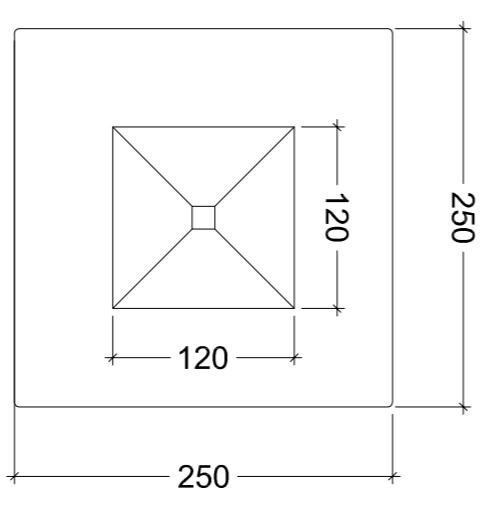
DETAIL: 2

CABRIOLE FLOOR LAMP  
FRONT ELEVATION - SECTIONED  
SCALE: 1:8

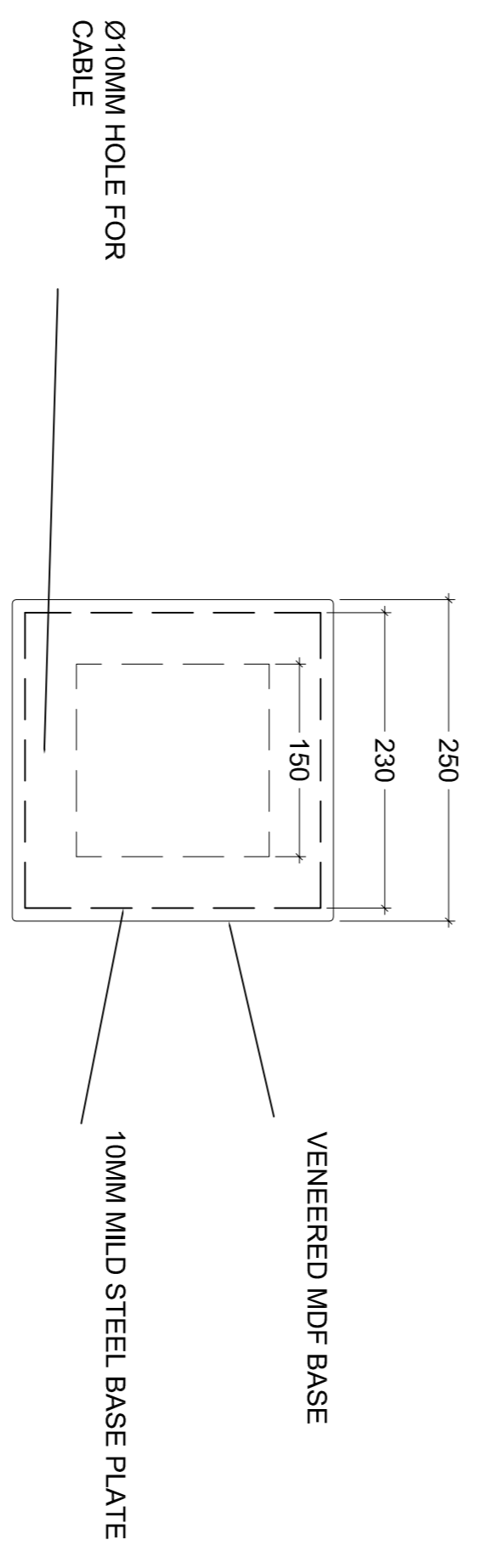


DETAIL: 1

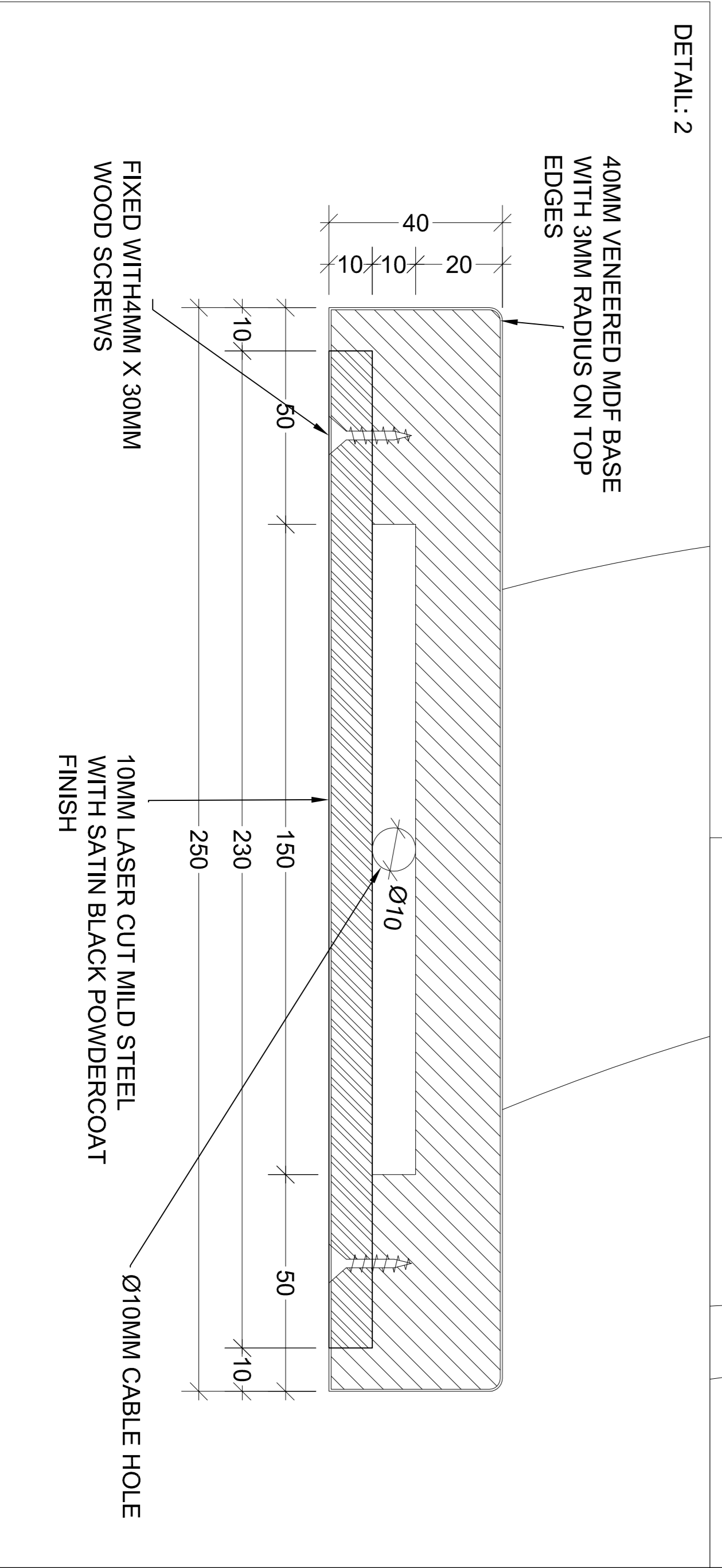
LIGHT FITTING  
FIXED WITH Ø10MM  
THREADED TUBE



CABRIOLE FLOOR LAMP  
PLAN VIEW  
SCALE: 1:8



CABRIOLE FLOOR LAMP  
BASE PLAN VIEW: HIDDEN DETAIL  
SCALE: 1:8



DETAIL: 2

40MM VENEERED MDF BASE  
WITH 3MM RADIUS ON TOP  
EDGES

FIXED WITH 4MM X 30MM  
WOOD SCREWS

10MM LASER CUT MILD STEEL  
WITH SATIN BLACK POWDERCOAT  
FINISH

Ø10MM CABLE HOLE

Rev	Changes	Date
00		00.00.00



This drawing is the copyright property of Decorus Furniture Ltd.  
Do not scale. All dimensions to be checked on site.

Client

Site Address

Scale	Date Drawn
1:8 / 1:1 AT A1	14.12.2012

Drawing Status  
**TO BE APPROVED**

Drawing Title  
**CABRIOLE TABLE LAMP**

Job No	Drawing Number	Revision
993	CTL-993-01	00