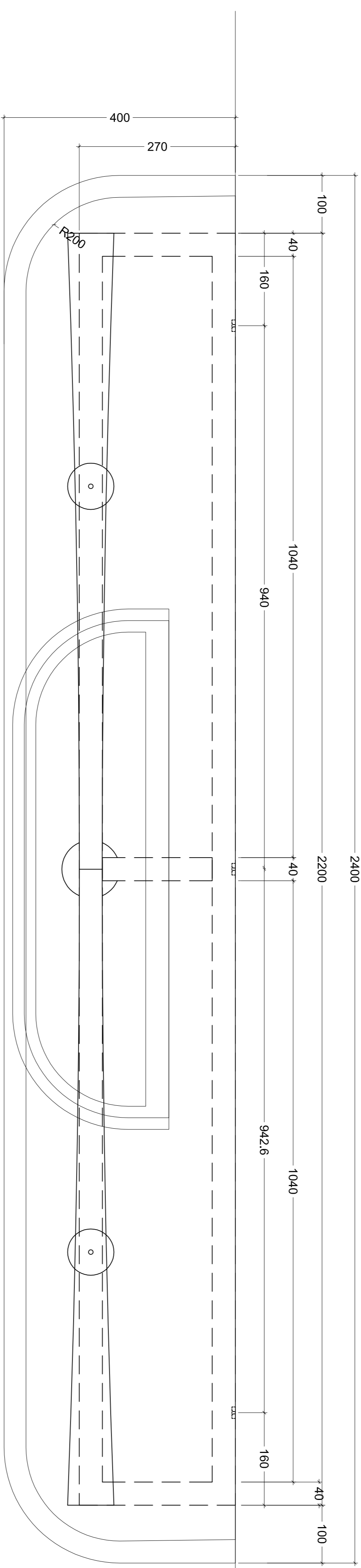


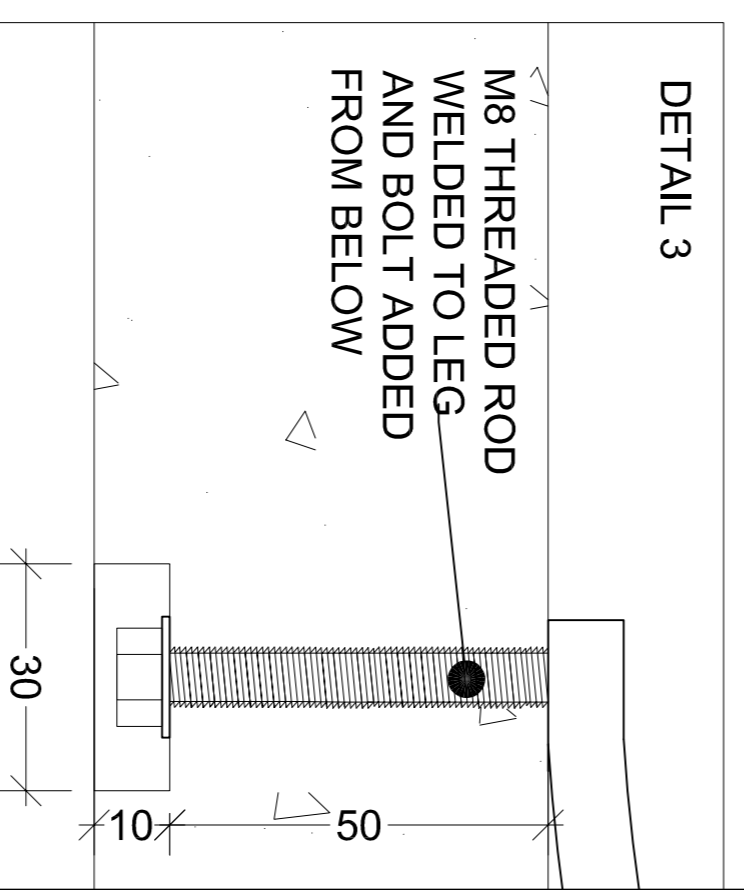
DECORUS CONSOLE TABLE  
SECTION 1: SIDE ELEVATION  
SCALE 1:5

DECORUS CONSOLE TABLE  
FRONT ELEVATION  
SCALE 1:5

DECORUS CONSOLE TABLE  
SIDE ELEVATION  
SCALE 1:5

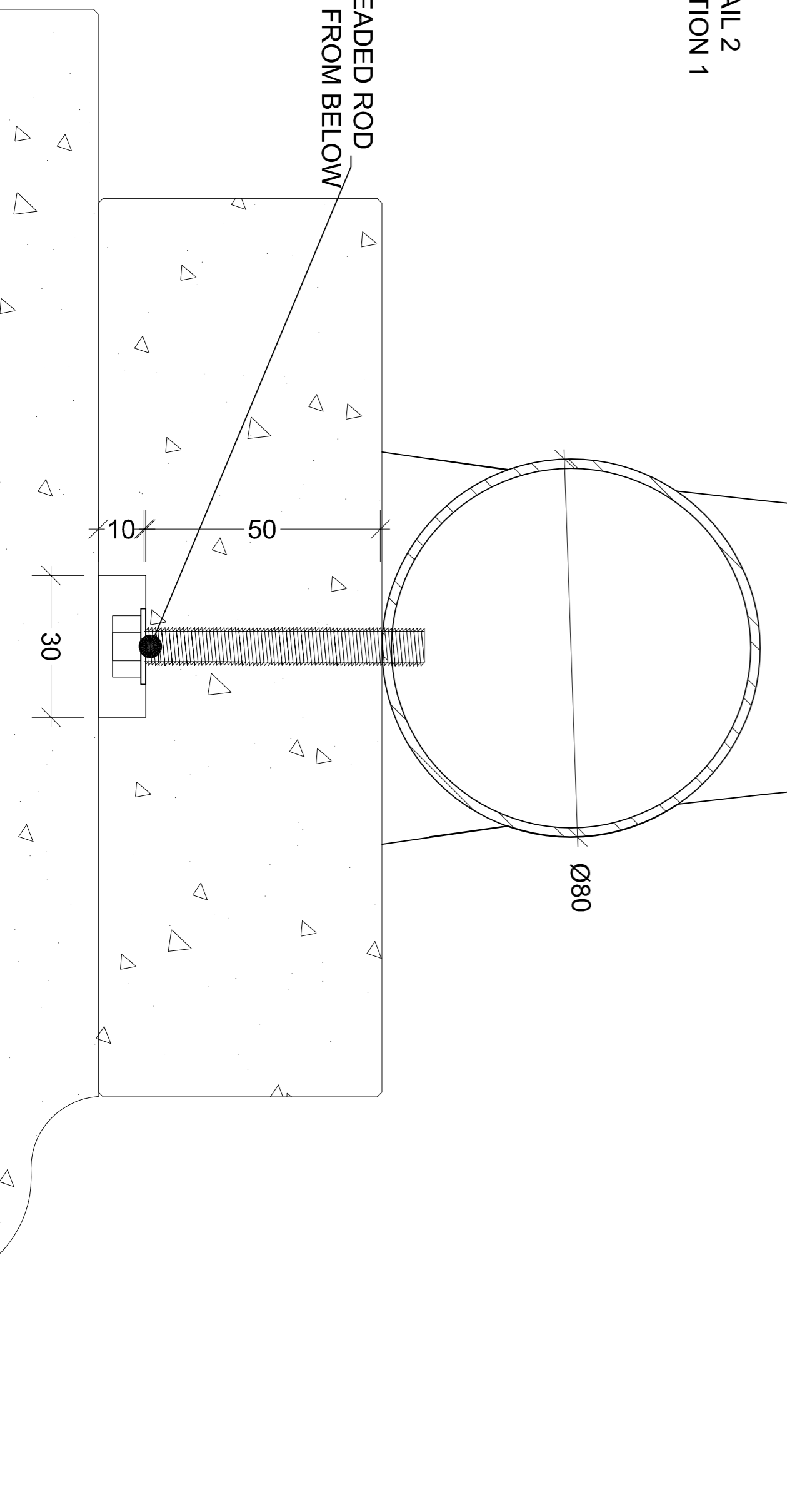


DECORUS CONSOLE TABLE  
PLAN VIEW: HIDDEN DETAIL  
SCALE 1:5

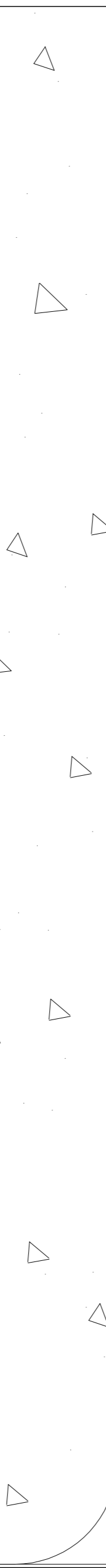


DETAIL 3  
M8 THREADED ROD  
WELDED TO LEG  
AND BOLT ADDED  
FROM BELOW

DETAIL 2  
SECTION 1



M8 THREADED ROD  
BOLTED FROM BELOW



SPHERE FIXED TO LEGS  
WITH M8 THREAD AND  
FIXED TO TOP FRAME  
WITH COUNTERSUNK  
BOLT FROM ABOVE

NOTES:

- LEGS: STAINLESS STEEL WITH EITHER END AND 40MM IN THE MIDDLE)
- FRAME: 6MM X 40MM STAINLESS STEEL FRAME
- 2X Ø80MM STAINLESS STEEL SPHERE (FIXED FROM ABOVE & BELOW)
- Ø80MM SPHERE FIXED FROM BELOW
- 60MM STONE TOP WITH OGEE DETAIL (PLEASE ADVISE FINISH)
- 60MM STONE PLINTHS BOTTOM PLINTH WITH OGEE DETAIL (PLEASE ADVISE FINISH)

Rev	Changes	Date
04	LEG & PLINTH DESIGN	21.01.13
03	TOP DEPTH / SPHERE SIZE	17.01.13
02	LEG FIXING	15.01.13
01	RE-DESIGNED	15.01.13



This drawing is the copyright property of Decorus Furniture Ltd. Do not scale. All dimensions to be checked on site.

Client: \_\_\_\_\_

Site Address: \_\_\_\_\_

Room/ Area Ref: \_\_\_\_\_

Job No: 000    Drawing Number: DCT-000-01    Revision: 04

Drawing Title: **DECORUS CONSOLE TABLE**

Scale: 1:5 / 1:1 @ A1    Date Drawn: 15.01.2013

Drawing Status: **TO BE APPROVED**