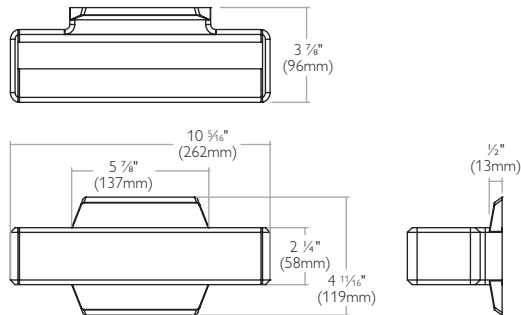


Corridor LED

Architectural Decorative Lighting

PHILIPS
LIGHTOLIER

Corridor LED



Features

- Delivers* 1000 nominal lumens (500 up and 500 down)
- 20W Max. (0.5W per sq/ft)
- Ashrae compliant (5FC min. on horizontal surfaces)
- ADA compliant
- Available in 2700K, 3000K, 3500K and 4000K
- CRI in the high 80's
- Dimmable: 0-10V
- Accepts two accessory sleeves
- 50,000 hour rates life (L70)
- 5 year warranty

*± 8% for 3000K

The Lightolier Architectural Decorative design team introduces its first LED corridor application. The fixture utilizes phosphor film technology, providing superior color stability and consistency, while maintaining a clean visual finish, elegant lines and forms, and an exceptional rhythm of light, to any corridor application.

Ordering information

Corridor LED

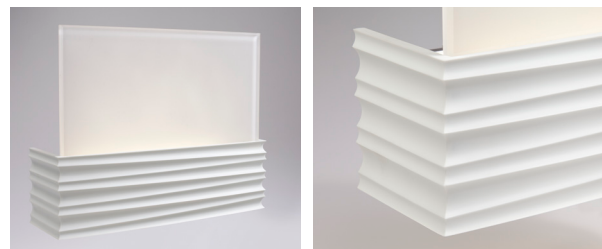
Catalog No.	CCT	Voltage
CDL27SAU CDL27WHU	2700K	120V/277V
CDL30SAU CDL30WHU	3000K	120V/277V
CDL35SAU CDL35WHU	3500K	120V/277V
CDL40SAU CDL40WHU	4000K	120V/277V

(SA) Satin Aluminum
(WH) Matte White.

Accessories

Catalog No.	Description
CDLS01	White Sleeve Straight Accessory
CDLS02	White Sleeve Wave Accessory
CDLA	Acrylic Flat Diffuser
CDLG	Glass Flat Diffuser

* The white sleeve accessories are paintable.



©2011 Koninklijke Philips Electronics N.V.
All rights reserved. Specifications are subject to change without notice.

Philips Lightolier
631 Airport Road
Fall River, MA 02720
Phone (508) 679-8131
Fax (508) 674-4710
www.lightolier.com

3015 Rue Louis Amos
Lachine (Quebec) H8T 1C4
Phone (514) 636-0670
www.canlyte.com