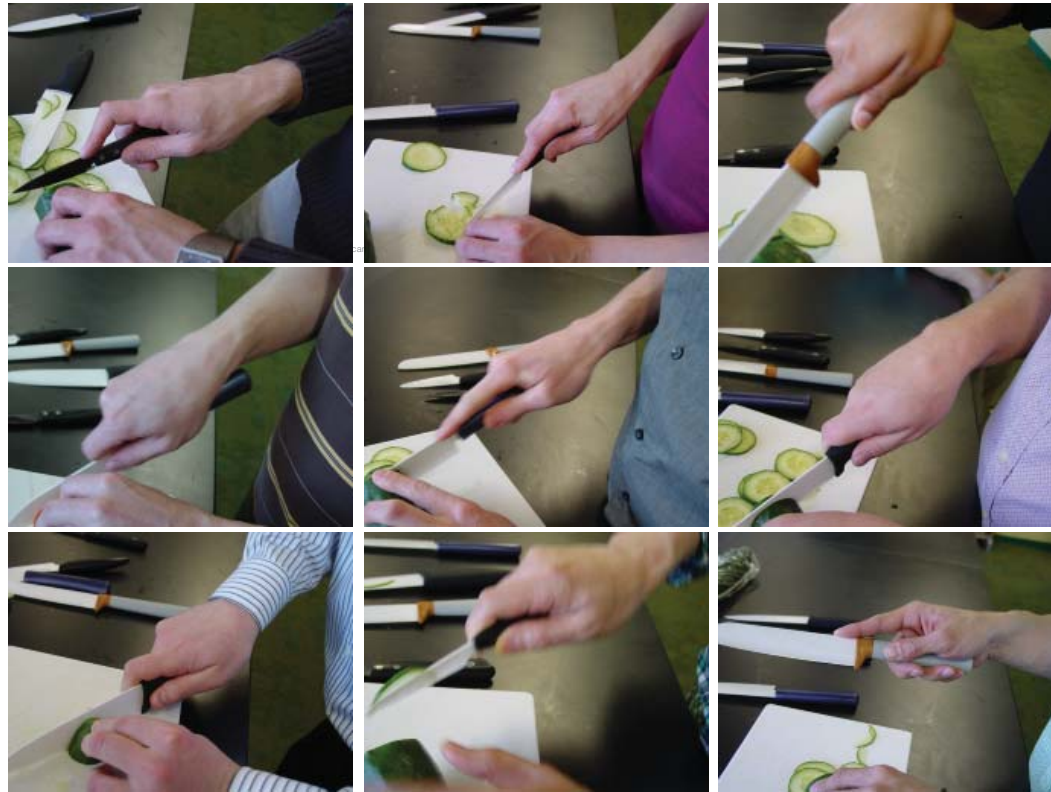
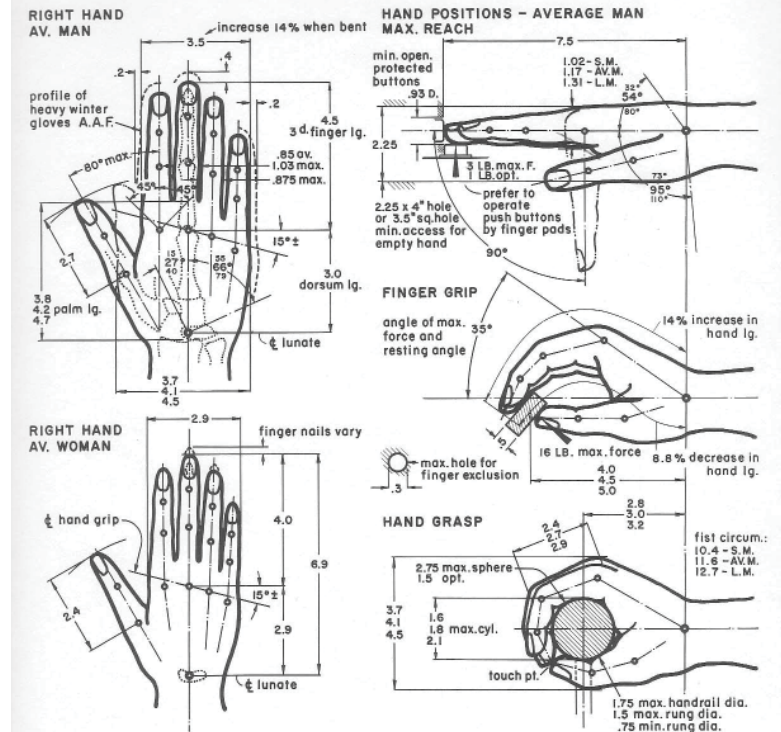


Ceramic Cutlery | Handle Research



HAND MEASUREMENTS OF MEN, WOMEN AND CHILDREN



HAND DATA	MEN			WOMEN			CHILDREN			
	2.5% tile	50.% tile	97.5% tile	2.5% tile	50.% tile	97.5% tile	6 yr.	8 yr.	11 yr.	14 yr.
hand length	6.8	7.5	8.2	6.2	6.9	7.5	5.1	5.6	6.3	7.0
hand breadth	3.2	3.5	3.8	2.6	2.9	3.1	2.3	2.5	2.8	—
3 ^d finger lg.	4.0	4.5	5.0	3.6	4.0	4.4	2.9	3.2	3.5	4.0
dorsum lg.	2.8	3.0	3.2	2.6	2.9	3.1	2.2	2.4	2.8	3.0
thumb length	2.4	2.7	3.0	2.2	2.4	2.6	1.8	2.0	2.2	2.4

Handle size & shape research included interviews with professional chefs and observations of average users slicing and dicing with a range of knives. Research on hand size was correlated with existing data to determine appropriate handle dimensions.