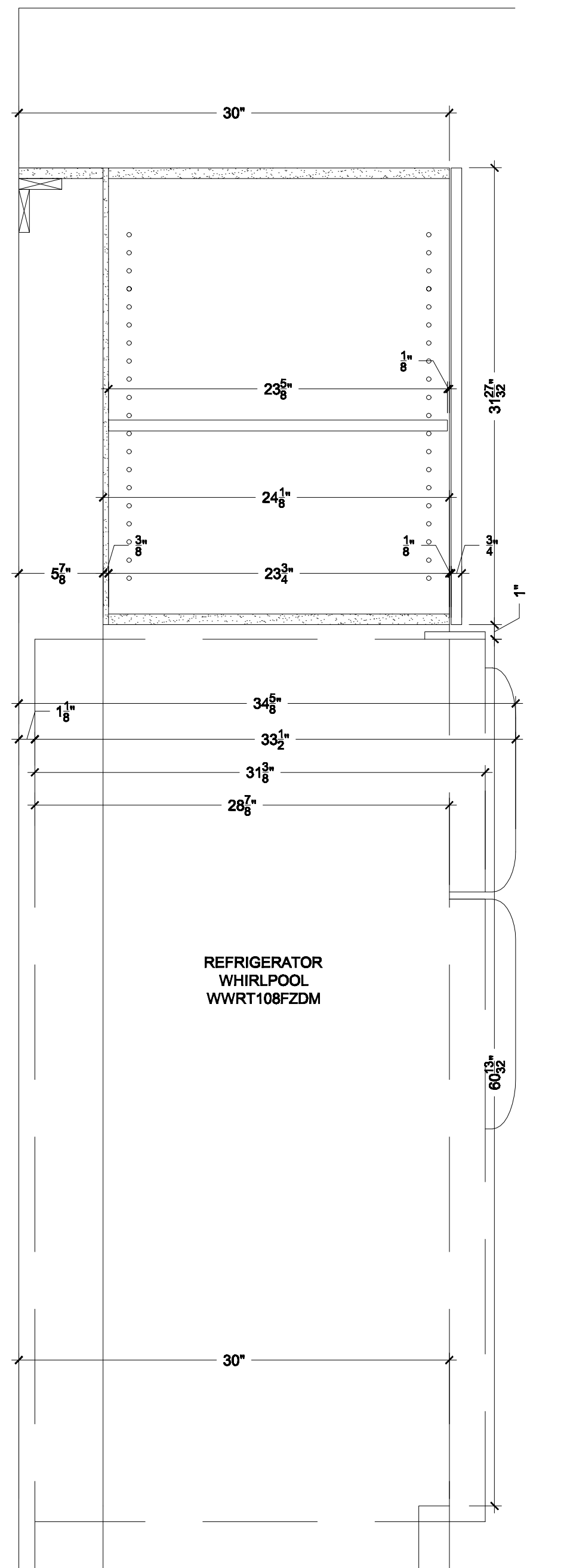
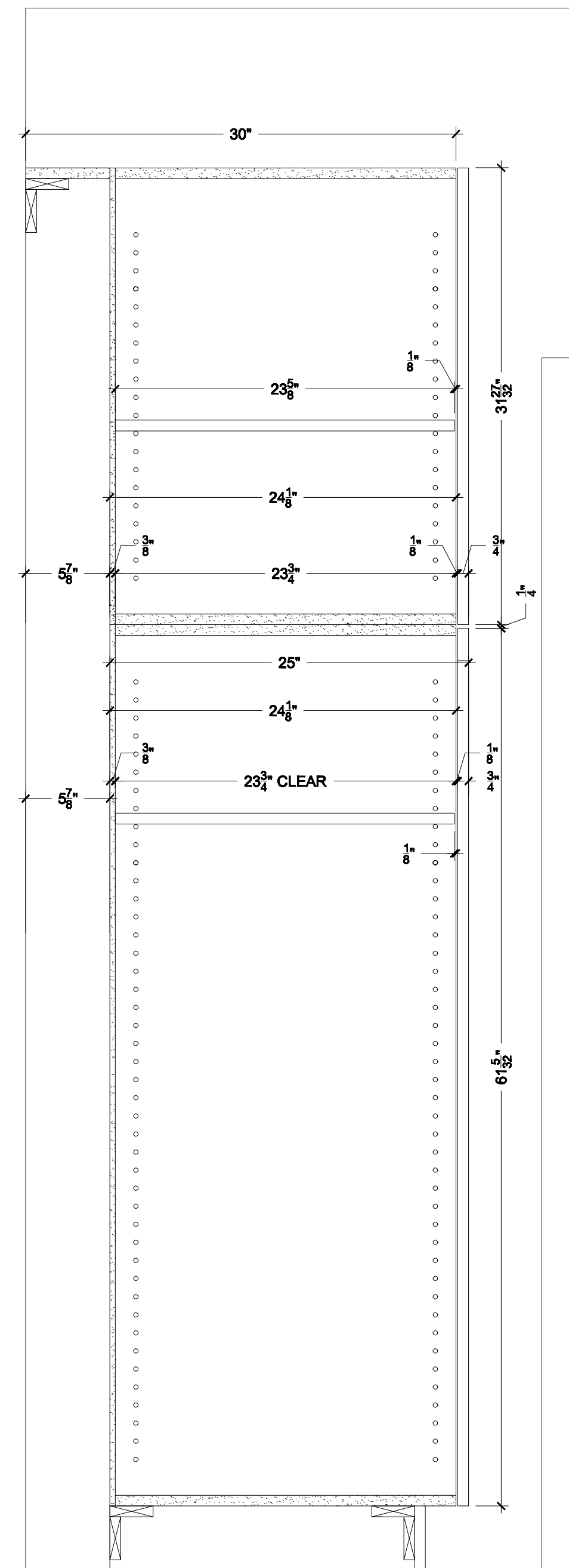


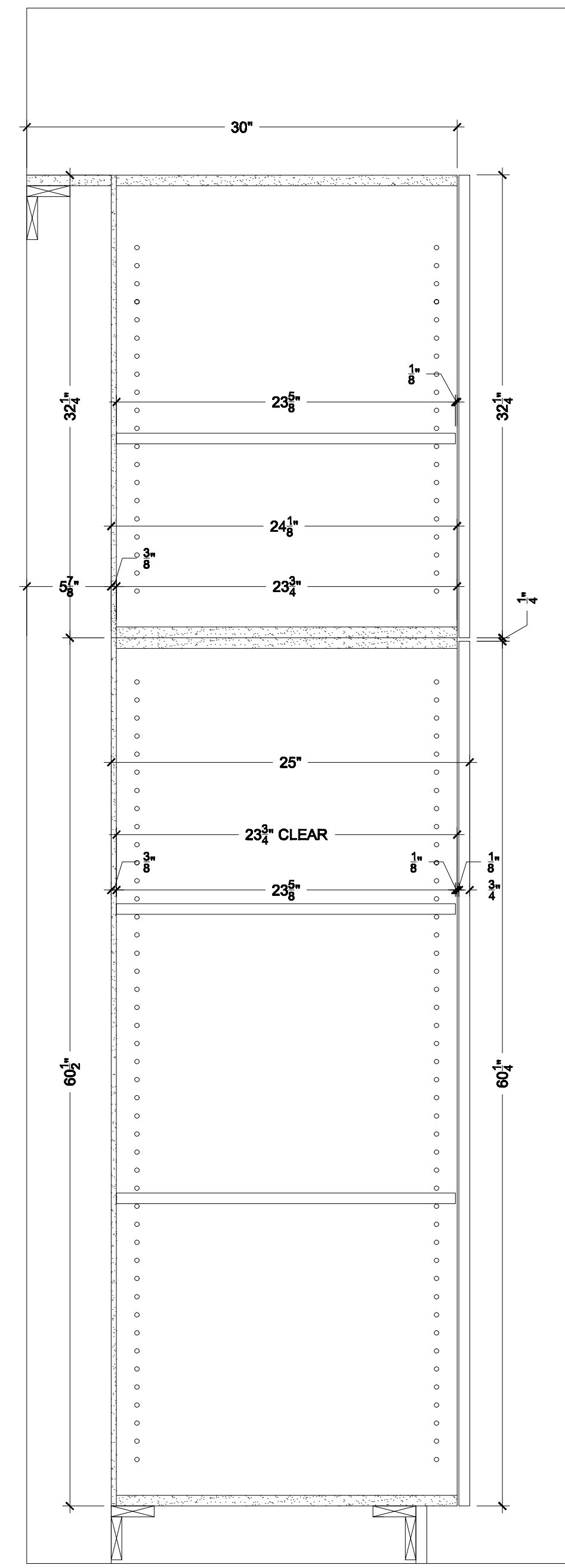
1 SECTION
SCALE: 1-1/2" = 1'-0" FLR1



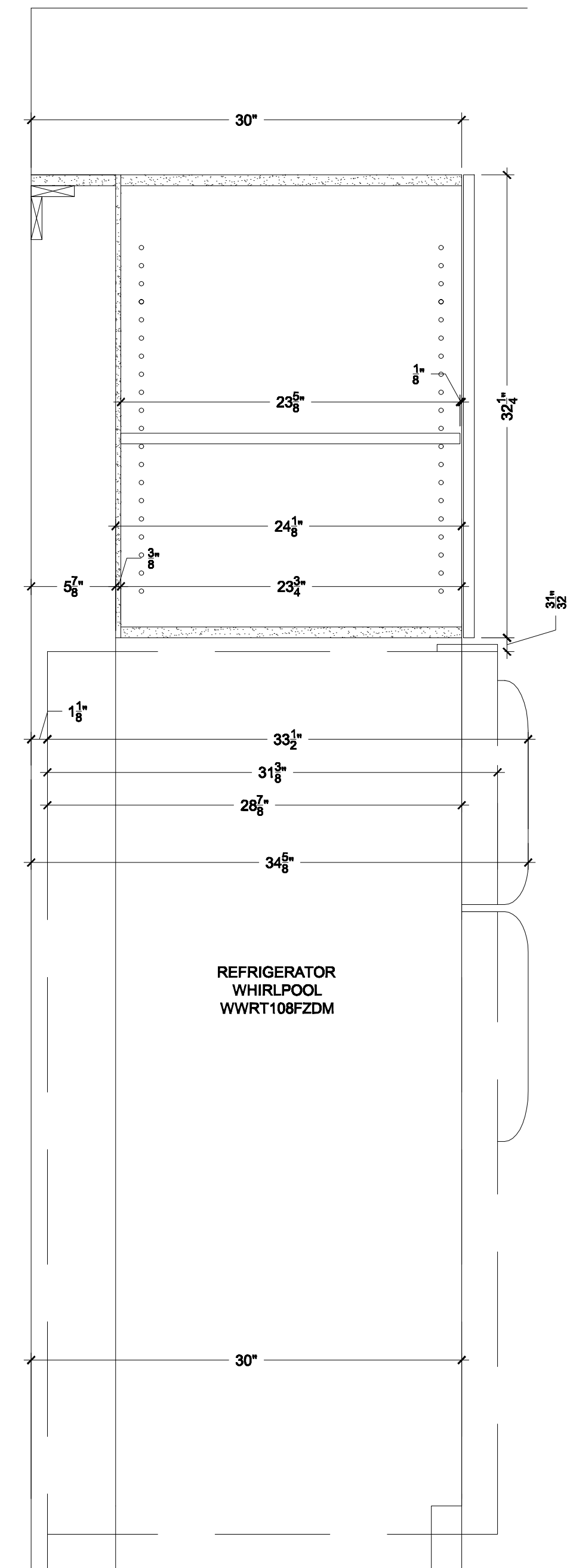
2 SECTION
SCALE: 1-1/2" = 1'-0" FLR1



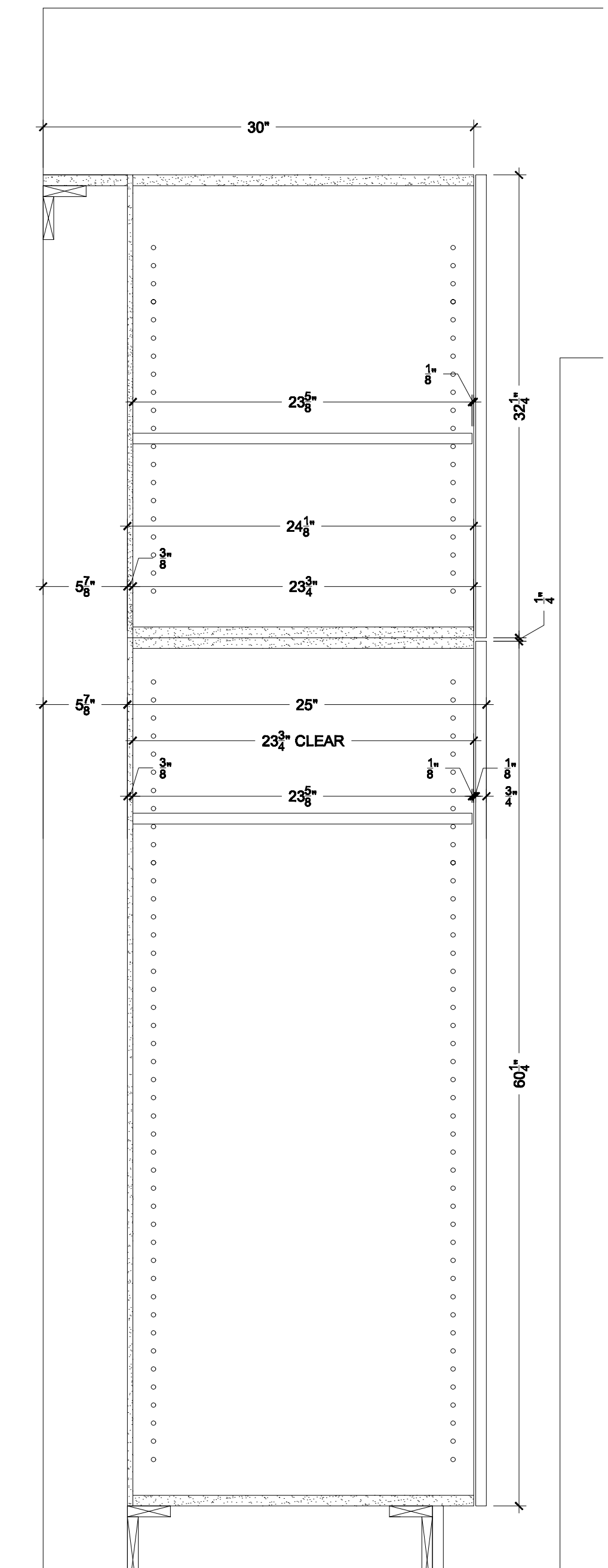
3 SECTION
SCALE: 1-1/2" = 1'-0" FLR1 BROOM CL.



4 SECTION
SCALE: 1-1/2" = 1'-0" FLR2



5 SECTION
SCALE: 1-1/2" = 1'-0" FLR2



6 SECTION
SCALE: 1-1/2" = 1'-0" FLR2

NO.	DESCRIPTION	DATE:
1	SHOP REVIEW	3-10-16
2	OWNER/ARCHITECT SUBMITTAL	3-10-16
3		
4		
5		
6		
7		

MILLWORK SHOP DRAWINGS FOR:
**SAN ANTONIO
SLOPED FLOOR**

SHEET NAME:

SECTIONS

SHEET #

A 1.2