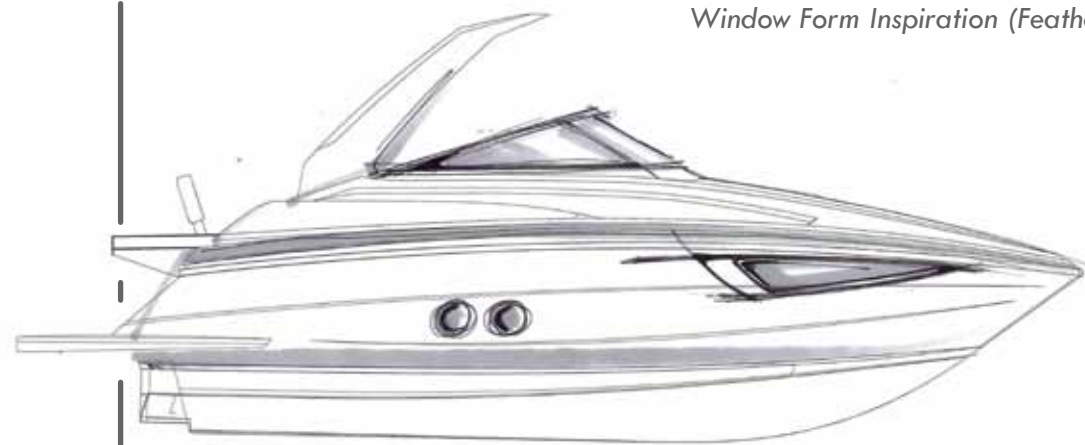


To be the absolute best trailerable express cruiser on the market. Designed interior floor plan and 3-D modeled entire interior layout and all related components in Rhino (FRP parts, cabinetry, custom hardware, upholstery, etc.) Also in charge of interior design, color/material selection. On the exterior and cockpit- styled exterior hull window and designed/engineered/3-D modeled helm console/companionway door assembly.



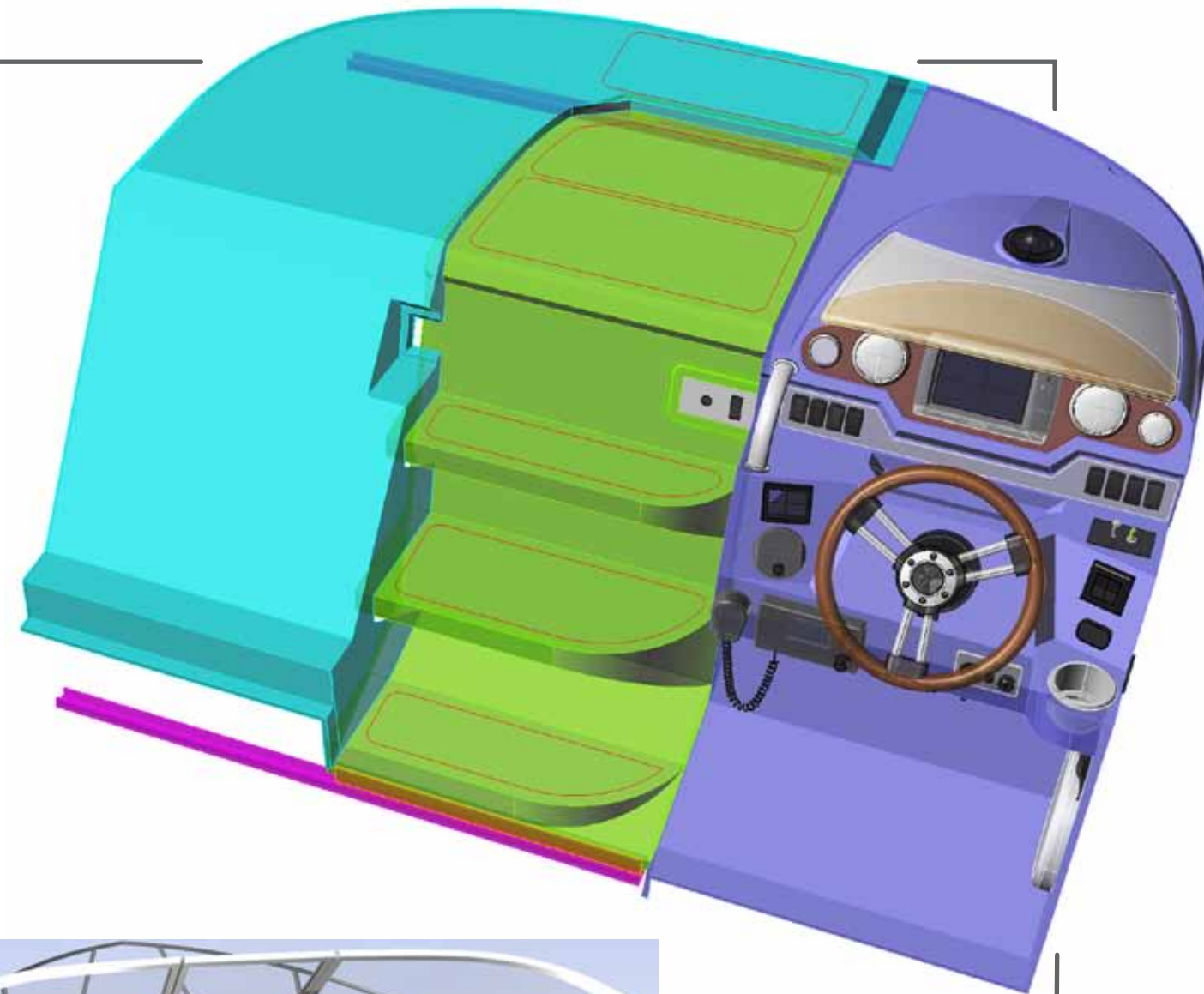
Window Form Inspiration (Feather)



Best-fit Window Concept



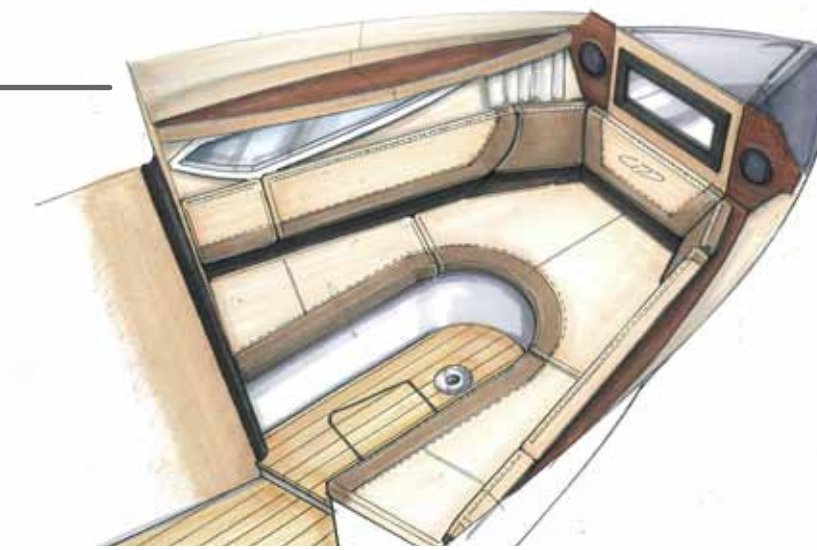
Final 3-D Model



Helm/ Companionway Door Assembly



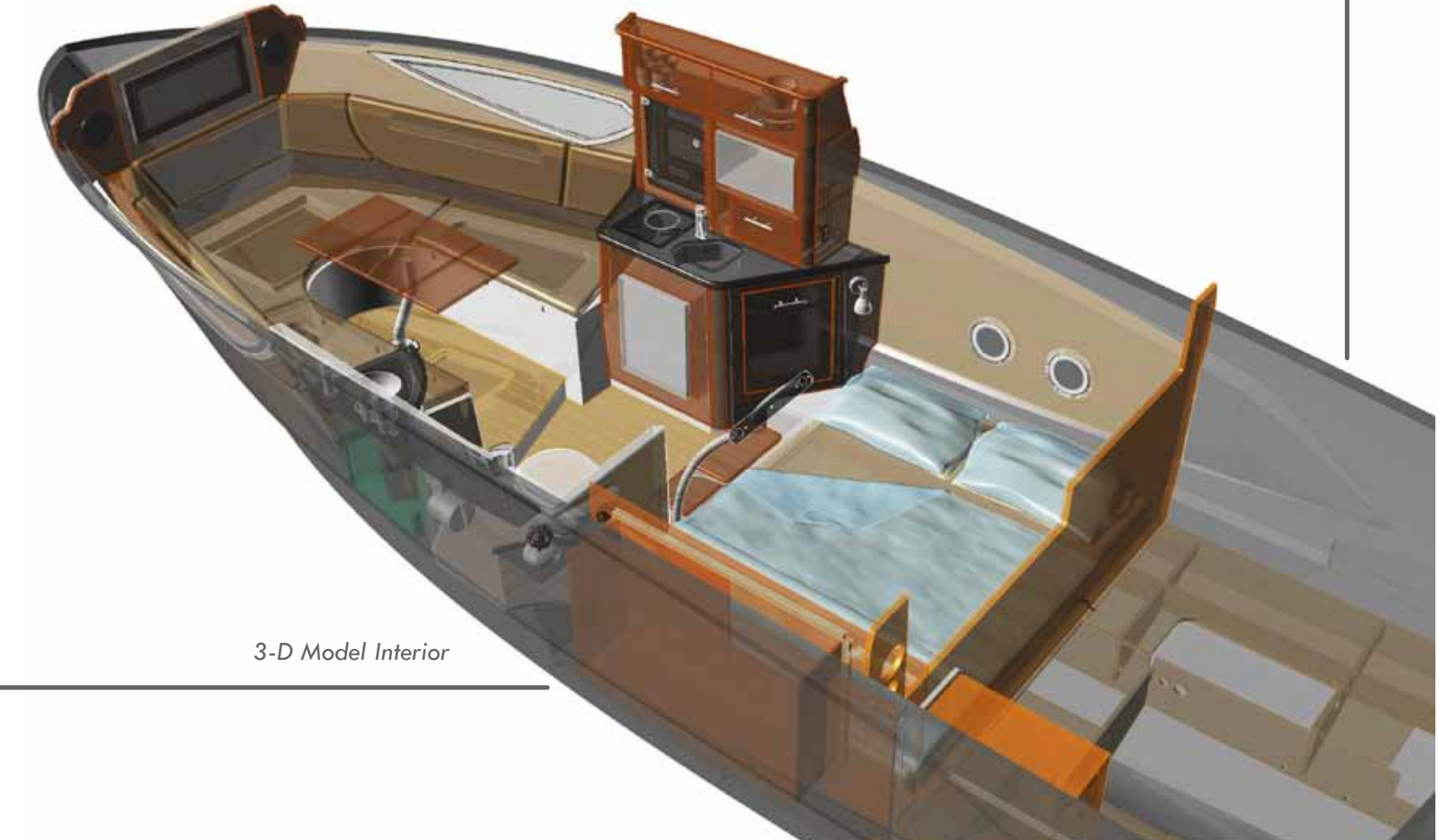
3-D Model Plan Layouts



Interior Upholstery/ Materials



3-D Model Head



3-D Model Interior