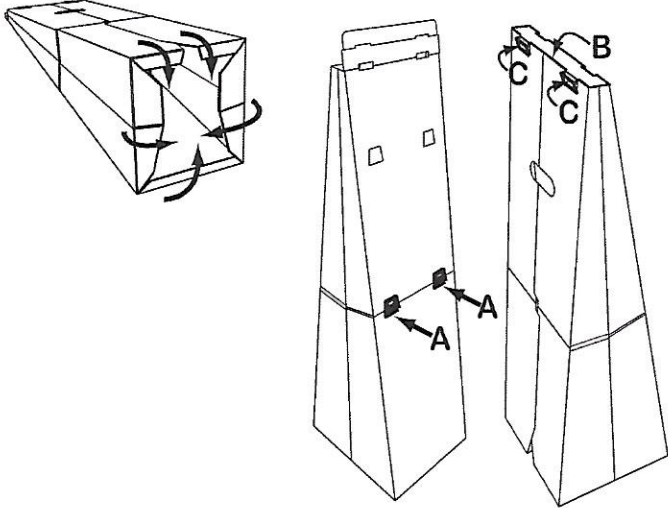
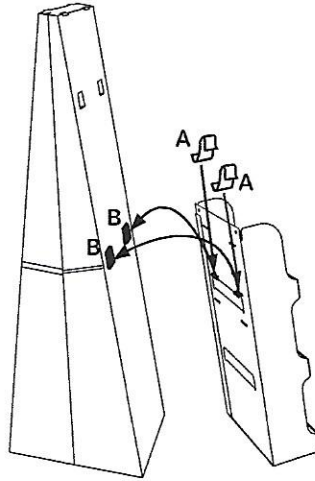


6 Shelf Floorstand Retail Setup Instructions

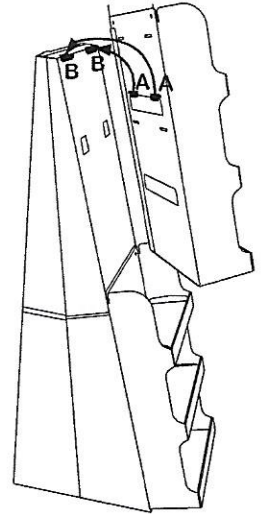
- 1** Open up BASE. Fold bottom flaps in. Stand BASE up right.
 A) Push in tabs. B) Fold top flap inside top of BASE.
 C) Insert tabs into slots to lock.



- 2** A) Insert two S CLIPS on MIDDLE set of slots on Tray without Riser.
 B) Hang S CLIPS on bottom set of slots on Base.



- 3** A) Insert two S CLIPS on MIDDLE set of slots on Tray with Riser.
 B) Hang S CLIPS on top set of slots on Base.



- 4** Slide Riser Polybag off RISER. Fold RISER up.
 Remove six (6) SHIPPING FILLERS (97027121).



- 5** Assembled FEBREZE CANDLES 3.5 HOLIDAY FLEX 6WING FS.
 Rotate product so front is facing out.

