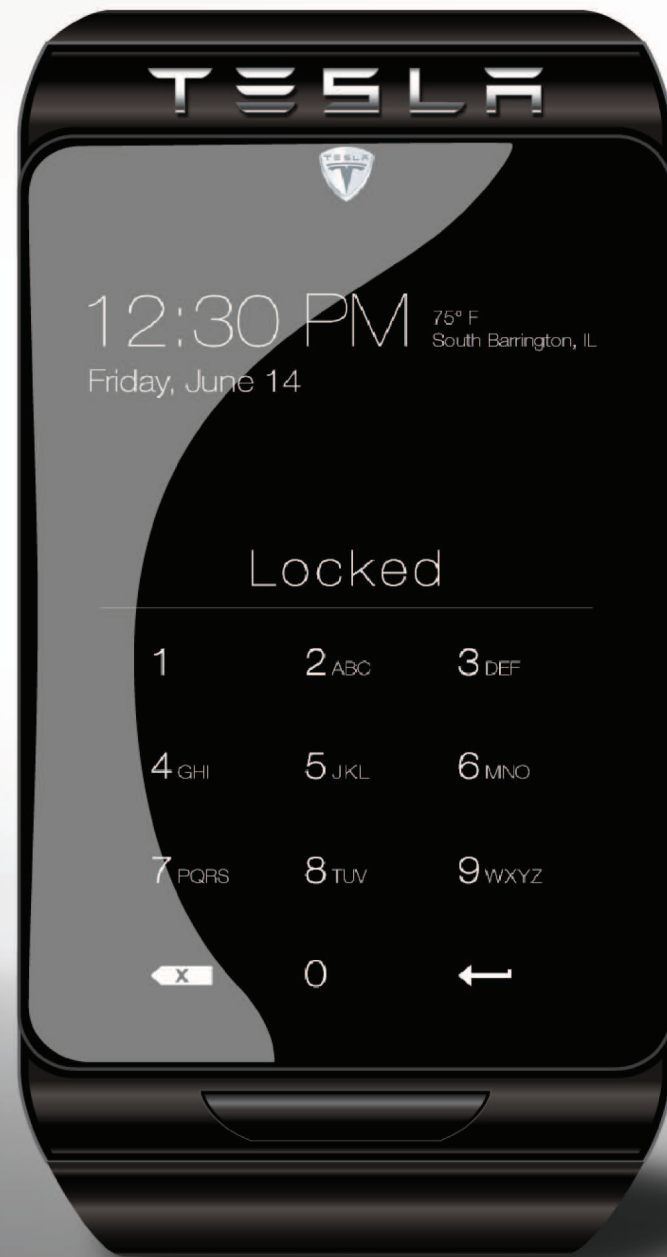




TESLA MOTORS

TESLA MOTORS TECHWEAR DESIGN PROJECT





TESLA MOTORS

DESIGN INSPIRATION

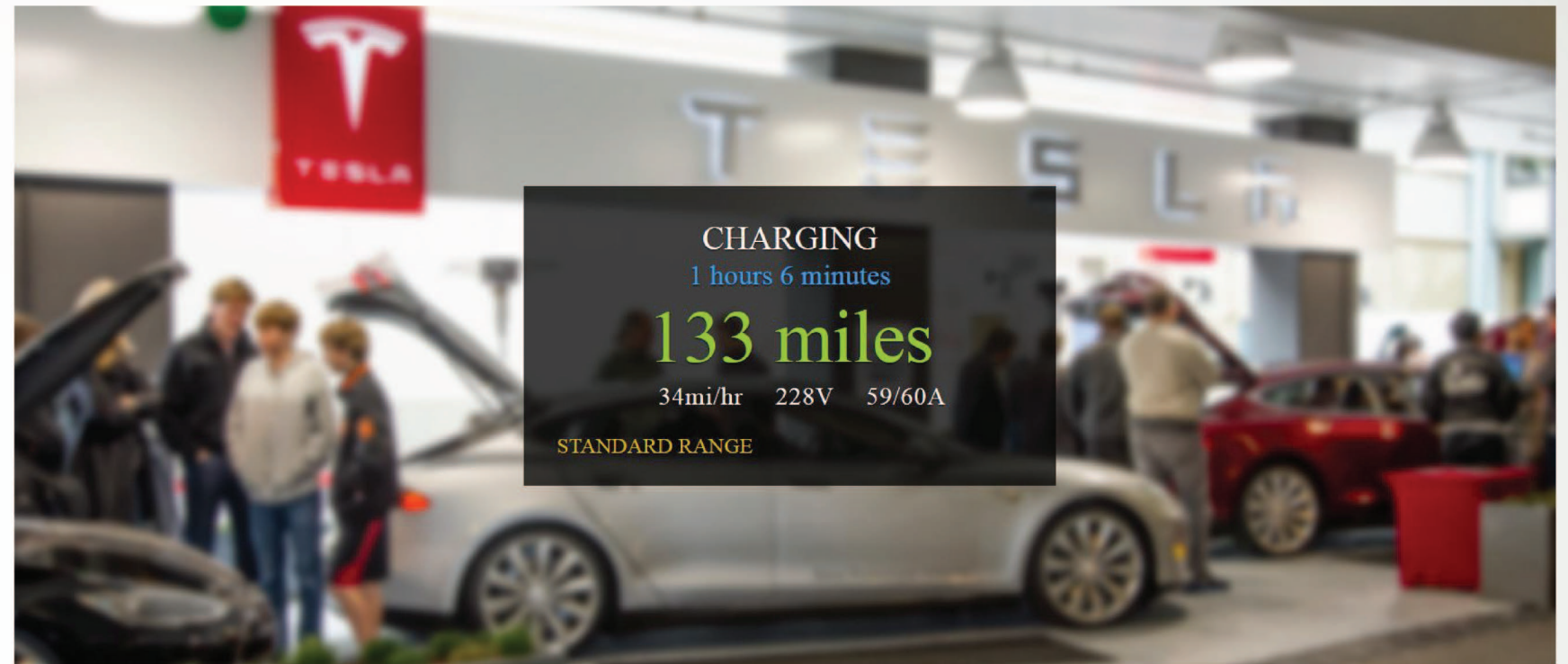
TECHWEAR

TESLA BRAND IDENTITIES:

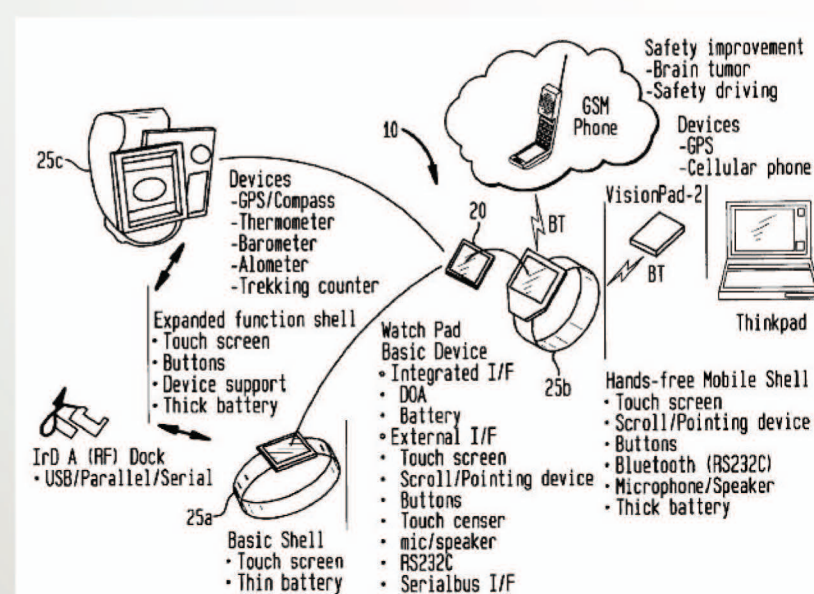
- Smart Technology
- Refined Simplicity
- Advanced Internation
- Sustainable Lifestyle
- Sophisticated Design

DESIGN IDEAS: TECHWEAR

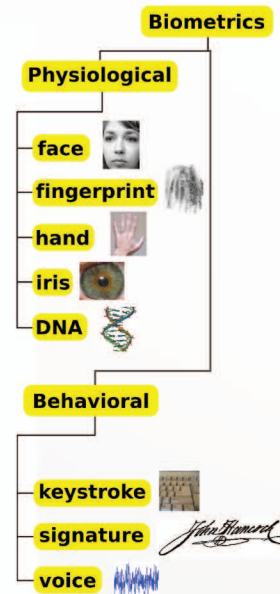
- SMART Watch
- Car Key + Parking
- Multi-function Device



Google Glass Apps for Tesla Model S



Official GoogleWatch Concept



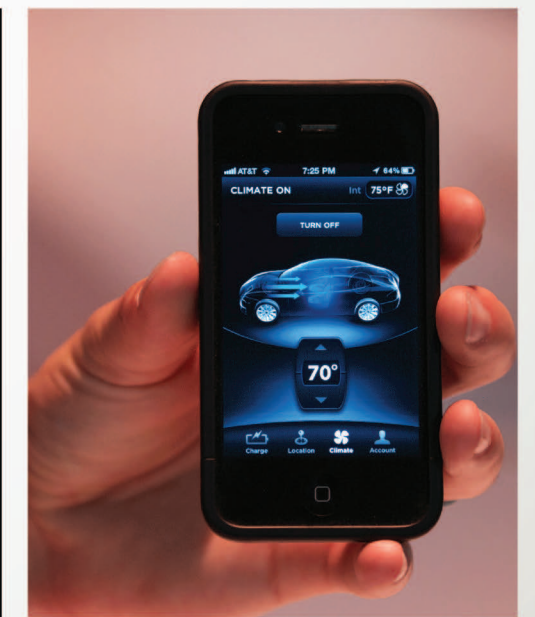
Biometric Devices



Devices for Super Car



Sophisticated Design



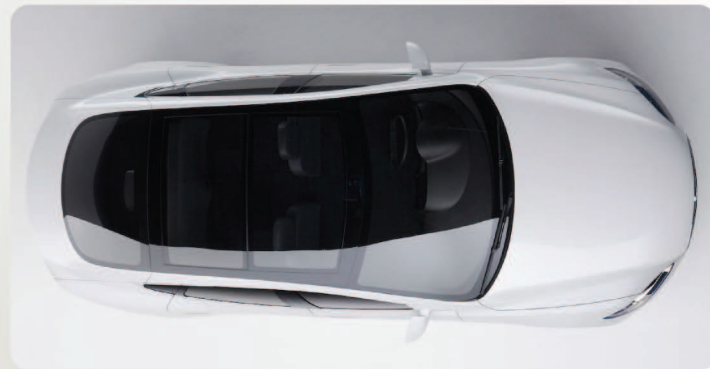
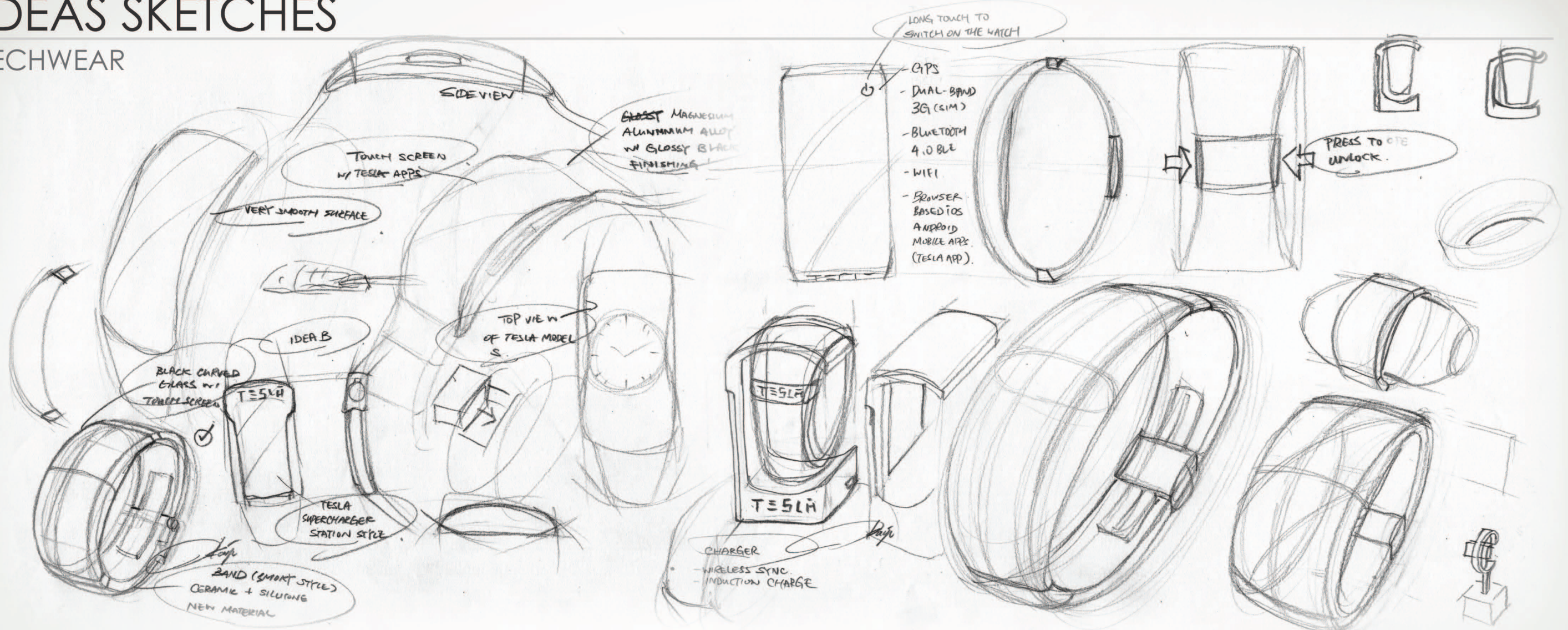
Connect & Play w/ Tesla



TESLA MOTORS

IDEAS SKETCHES

TECHWEAR



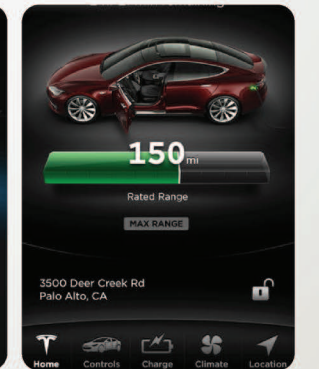
Body case design refer to Tesla model S' roof:
(Elegance, smooth and refined feelings)



Charger design refer to Supercharger Station:
(Hi-tech shape, Induction charge design with lightings)



User can easily change & download different styles of time display, sync data with Tesla mobile apps.





TESLA MOTORS

CONCEPT SKETCHES

TECHWEAR

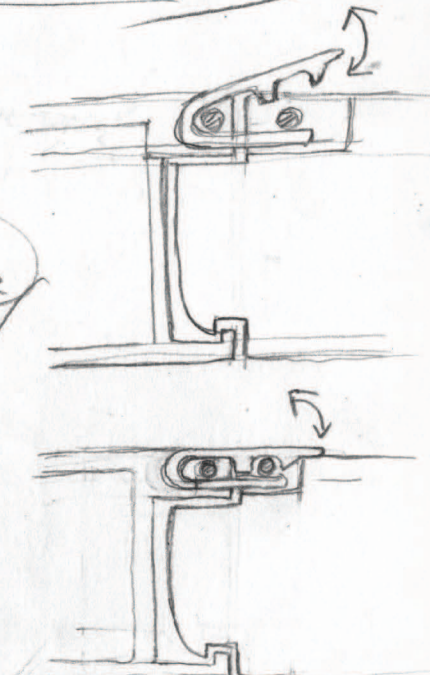
SPECIFICATIONS

- DIMENSIONS: W36 X H58 X D10.8MM
- GPS TIME SYNCHRONIZATION
- HIGH SENSITIVITY GPS RECEIVER, AGPS SUPPORTED.
- LOCATION-BASED SERVICE SUPPORTED.
- GLOBAL DUAL BAND 2G-4G SUPPORTED.
- BLUETOOTH BLE V.4.0
- SUPERCHARGE STYLE LONG BATTERY LIFE.
- FAST GPS ACQUISITION (HOT AND COLD START)
- STANDARD MINI-USB FOR DATA TRANSFER
- TOP VIEW FULL SIZE TOUCH-SCREEN W/ BUILT-IN HD CAMERA
- OPERATES W/ TESLA DASHBOARD TOUCH SCREEN SYSTEM.

CAPTURE BIOMETRIC DATA (SENSORS)

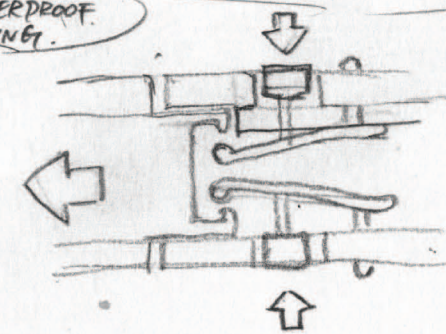
- HEART-RATE (EMOTIONS/ PERFORMANCE)
- BODY TEMPERATURE (INTERIOR TEMP)
- HUMIDITY (EMOTIONS)
- FINGER PRINT (IDENTITY)
- IRIS RECOGNITION (IDENTITY)

INTERCHANGEABLE STRAP STRUCTURE ① ✓



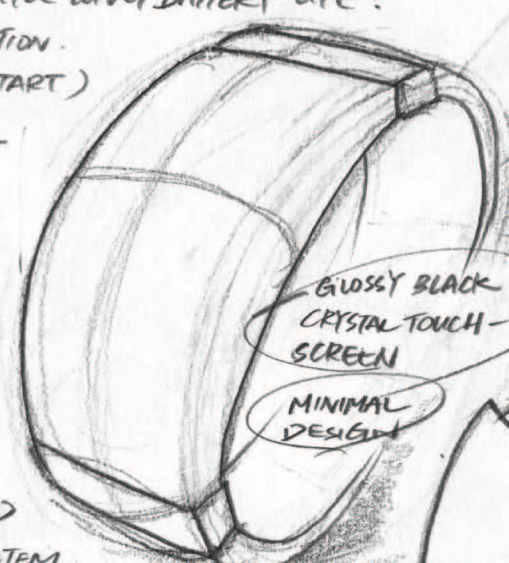
- STRAP MATERIALS =
- SILICONE - RUBBER
 - STAINLESS STEEL BAND
 - NEW ALLOY MATERIALS

INTERCHANGEABLE STRAP STRUCTURE ②



CASE BACK W/ ALL SENSORS

MAGNESIUM ALUMINUM ALLOY CASE BACK AND STRAP HOLDER



GLOSSY BLACK CRYSTAL TOUCH-SCREEN
MINIMAL DESIGN

MINI USB PLUG

MICRO SIM

MINI USB

PRESS TO TAKE OFF STRAP

WATERPROOF O-RING

LED LIGHTING SHOWS CHARGING % BY RED->GREEN



INDUCTION CHARGER STAND

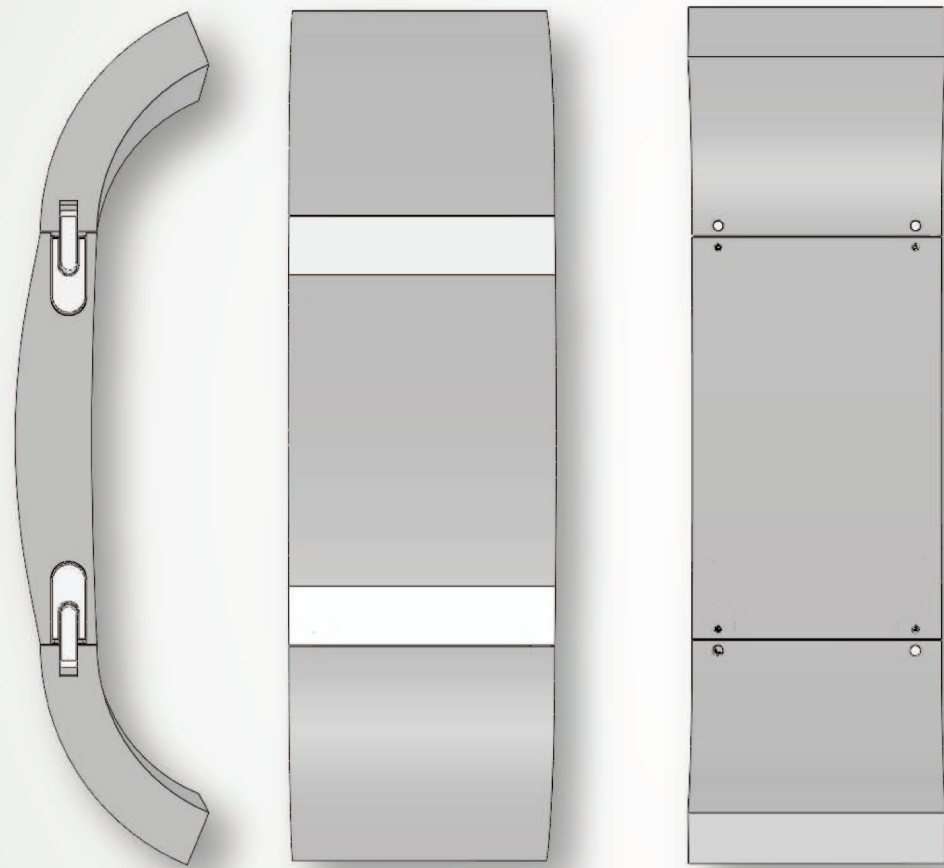
TESLA SUPERCHARGER STATION STYLE



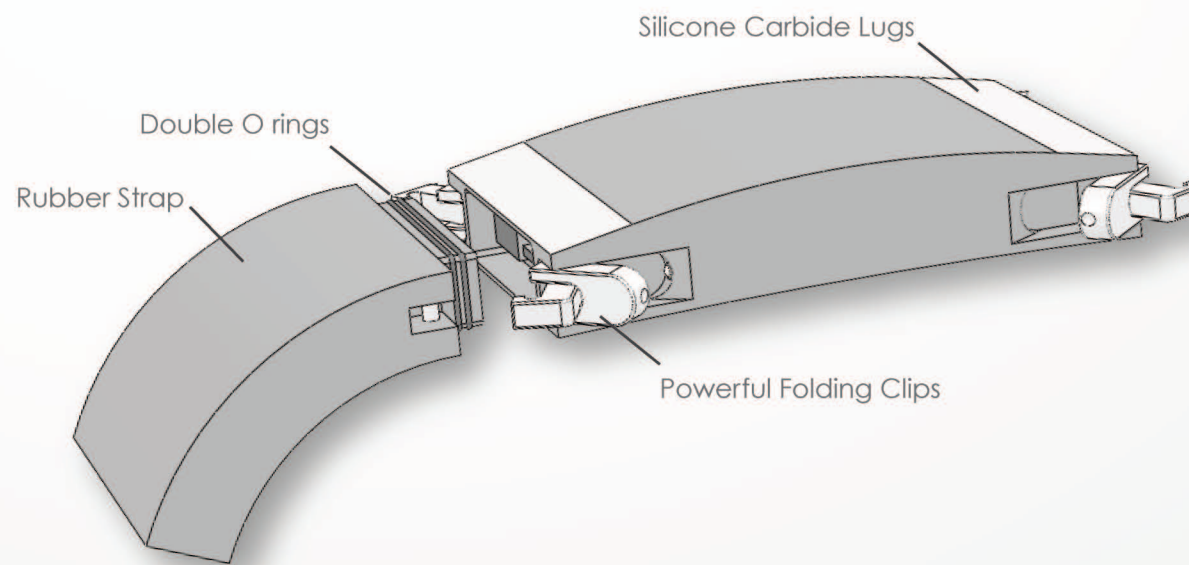
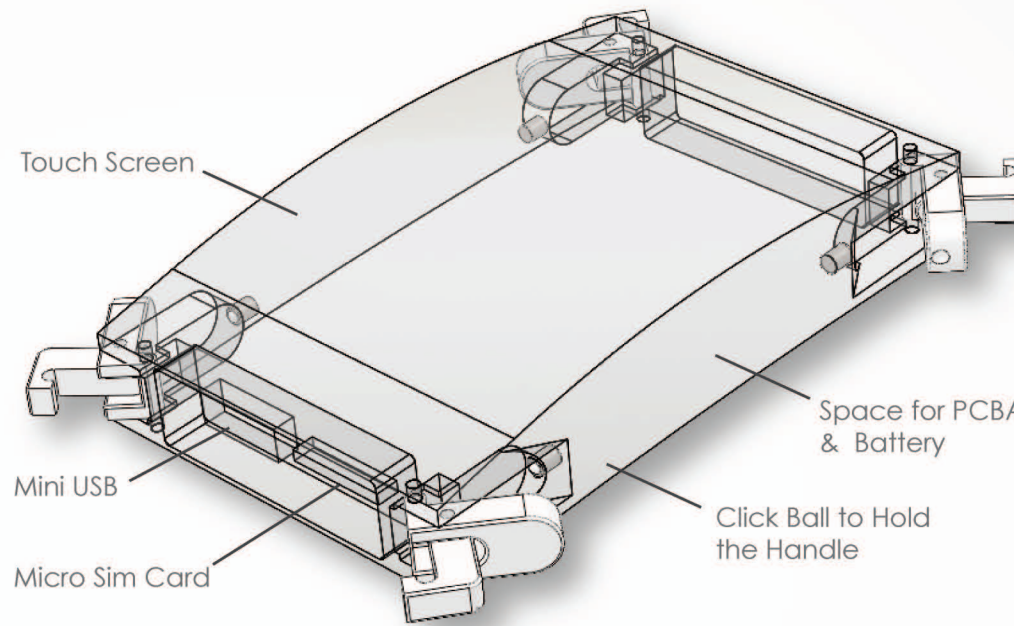
TESLA MOTORS

DEVELOPMENT

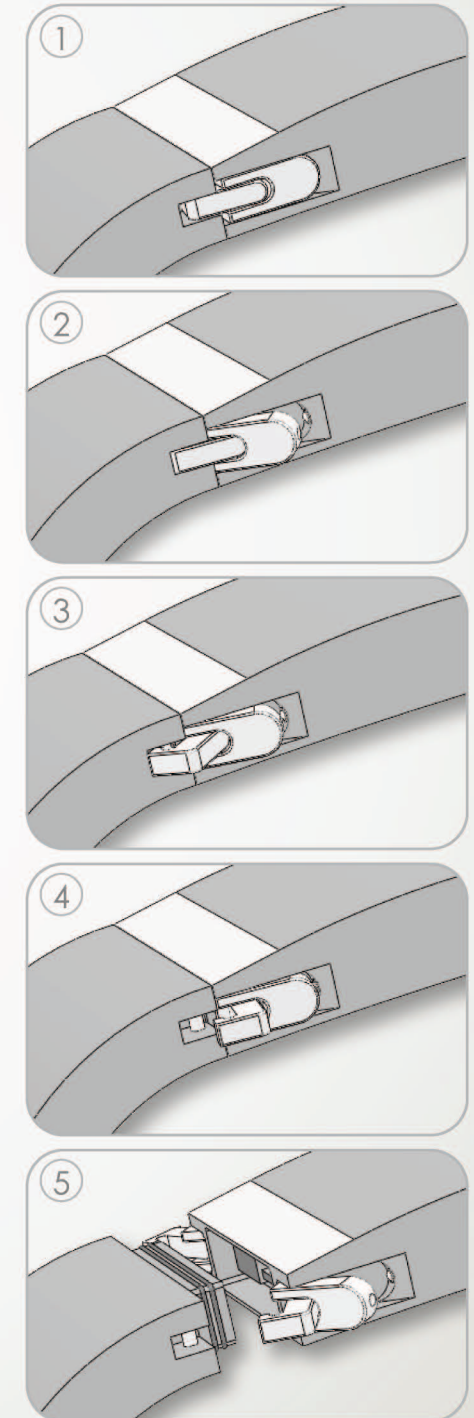
TECHWEAR



Case Size: W35*H40*D15mm
Side, Top & Back View



Water proof system lugs:
How to charge battery, Inter-
change strap & Install sim card.





TESLA MOTORS

FINAL DESIGN

TECHWEAR (Simply White) 1:1 SCALE ON A3 SIZE PAPER

Design: Techwear Device (Watch + Car key)

Network: Dual-Band 4G, 3G, 2G GSM, GPS modules

Accuracy: Partnered with a global, location & tracking services provider and unique LBS algorithm

Technology: Use Bluetooth or WiFi to improve the positioning accuracy

Platform: Browser Based, iOS & Android mobile Apps



Lock Mode



Charging Mode



Find & Parking



Side View (Folded)

Side View



Top View



Back View



TESLA MOTORS

FINAL DESIGN

TECHWEAR (Glossy Black) 1:1 SCALE ON A3 SIZE PAPER

SPECIFICATION

- Dimensions H60.0 x W35.0 x D10.8mm
- GPS Time Synchronization
- High sensitivity GPS receiver, AGPS supported
- Location-Based Service supported
- Global Dual Band 4G, 3G and 2G supported w/ Micro Sim Card
- Bluetooth BLE v4.0
- Fast GPS Allocation (Hot & Cold Starting)
- Standard Mini-USB for Data Sync and Battery Charge
- Long battery life





TESLA MOTORS

STYLE DEMONSTRATION

TECHWEAR (Simply White) 1:1 SCALE ON A3 SIZE PAPER

