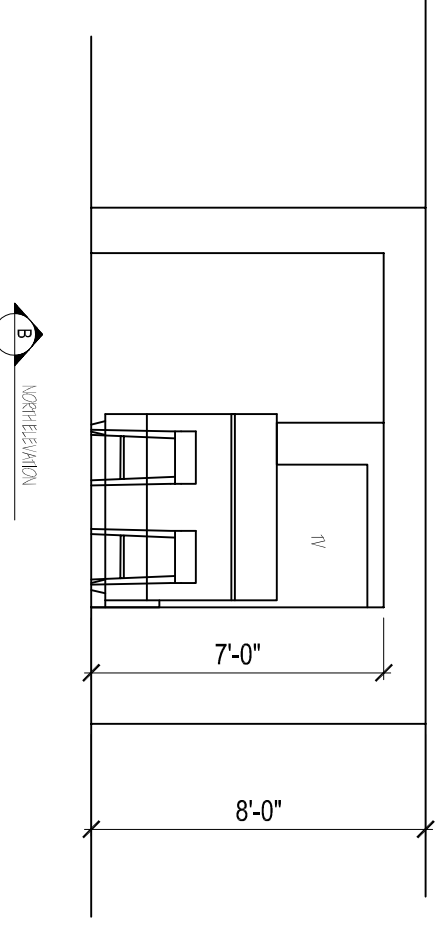
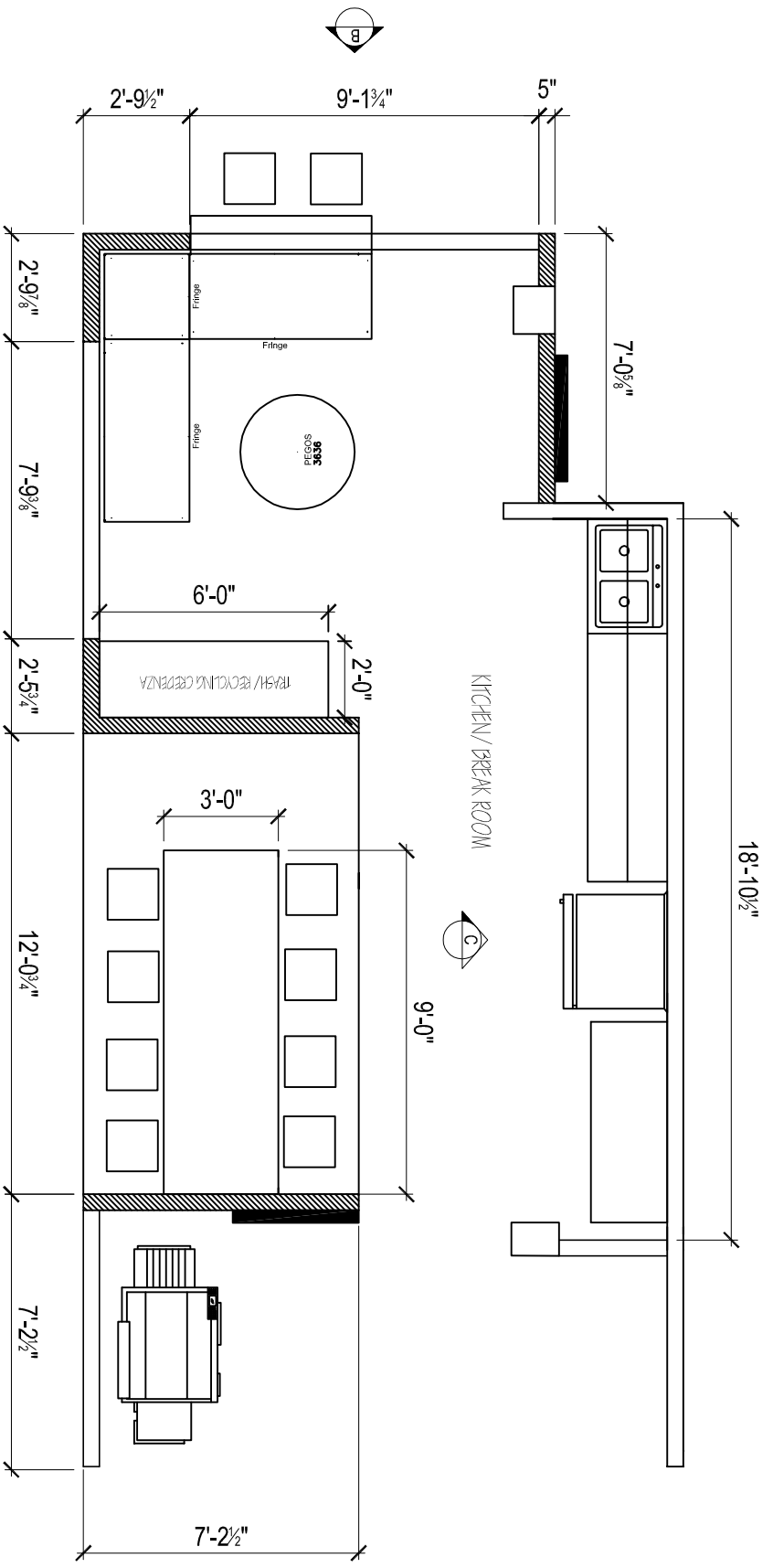


A
WEST ELEVATION

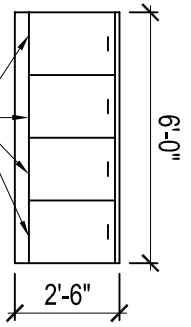


B
NORTH ELEVATION



C

KITCHEN/BREAK ROOM



(OR APPROXIMATE HEIGHT TO ACCOMMODATE PILL-OUS)

A



NORTH

ISSUE DATE: 04.21.15

ISSUED FOR: 04.23.15

PROJECT ADMINISTRATOR:

PROJECT DESIGNER:
K. KALSO

CHECKED BY:

APPROVAL:

BELFOR HQ

2ND FLOOR LOUNGE ELEVATIONS

SCALE:
NOT TO SCALE

PAGE NUMBER:
1 OF 1