

# GLOBAL<sup>®</sup>

## Valve & Controls

*Offering a complete line of valves for your flow control needs*



# Series FS

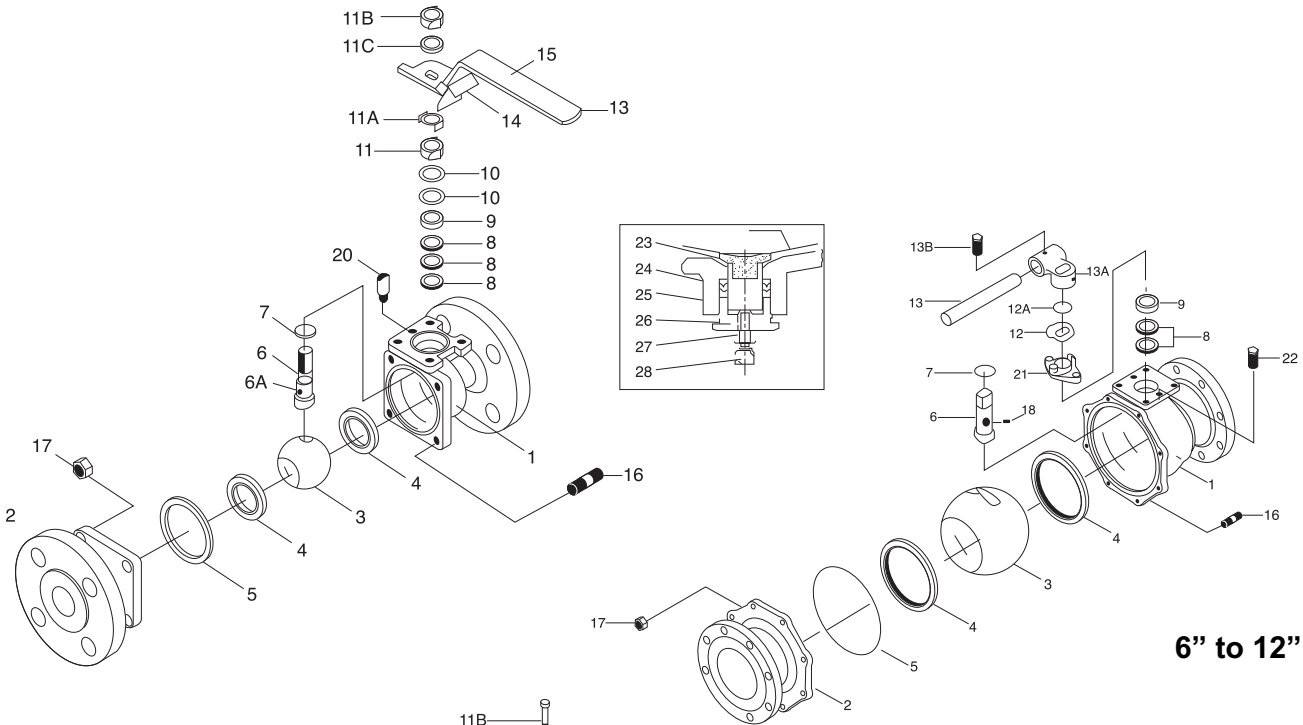
**Flanged Full Port Ball Valve  
150lb to 600lb**

Visit us on the web at [www.globalvalvesandcontrols.com](http://www.globalvalvesandcontrols.com)

Information contained in this product bulletin is subject to change without notice. Please contact your sales representative for the latest available information.

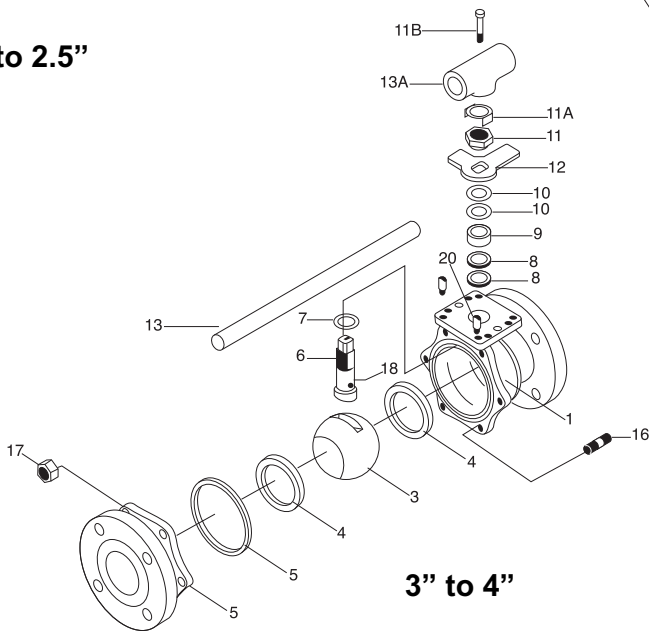
# Series FS

## Flanged Full Port Ball Valve 150lb, 300lb, and 600lb



**6" to 12"**

**1/2" to 2.5"**



**3" to 4"**

### Manufacturing and Testing Standards

Design	ASME B16.34
	API 608/ API 607- 4th
Face to Face Dim	ASME B16.10
Flange Dimensions	ASME B16.5
Valve Wall Thickness	ASME B16.34
NACE	MR-01-75
Pressure Testing	ASME B16.34
	API 598



14300 Cornerstone Village Drive, Suite 321  
Houston, Texas 77014  
Ph: 281-895-6384 Fax: 281-440-5576

Visit us on the web at [www.globalvalvesandcontrols.com](http://www.globalvalvesandcontrols.com)

# Series FS

## Flanged Full Port Ball Valve 150lb, 300lb, and 600lb

ITEM #	PART	QTY	MATERIALS OF CONSTRUCTION	
1	Body	1	Alloy 20 Carbon Steel Hastalloy C Monel 316 Stainless Steel	ASTM A351 CN7M ASTM A216 WCB ASTM A494 Gr CW-12MW ASTM A494 Gr M35-1 ASTM A351 CF8M
2	Flange	1	Alloy 20 Carbon Steel Hastalloy C Monel 316 Stainless Steel	ASTM A351 CN7M ASTM A216 WCB ASTM A494 Gr CW-12MW ASTM A494 Gr M35-1 ASTM A351 CF8M
3	Ball	1	Alloy 20 / Hastalloy C / Monel / 316 Stainless Steel	
4	Seat	2	NOVA / PEEK / RTFE / TFE / TFM / UHMWPE	
5	Body Seal	1	NOVA / RTFE / TFE / TFM / UHMWPE	
6	Stem	1	Alloy 20 / Hastalloy C / 17-4PH / 316 Stainless Steel	
6A	Anti-Static Device (1/2" to 2")	1	316 Stainless Steel	
7	Thrust Bearing	2	PEEK	
8	Stem Packing	2	NOVA / RTFE / TFE / TFM	
9	Gland Packing	1	304 Stainless Steel	
10	Belleville Washer (1/2" to 4")	2/4	301 Stainless Steel / Inconel 750	
11	Packing Nut (1/2" to 4")	1	304 Stainless Steel	
11A	Locking Tab	1	Stainless Steel	
11B	Lever Nut	1	304 Stainless Steel	
11C	Lock Washer (1/2" to 4")	1	304 Stainless Steel	
12	Lever Stop	1	304 Stainless Steel	
13	Lever	1	304 Stainless Steel Galvanized Steel Ductile Iron	1/2" to 2" 2 1/2" to 4" 6" to 8"

ITEM #	PART	QTY	MATERIALS OF CONSTRUCTION	
13A	Wrench Block	1	304 Stainless Steel (2-1/2" - 4") Ductile Iron (6" to 8")	
13B	Lever Nut	1	304 Stainless Steel	
14	Locking Device (1/2" to 2")	1	304 Stainless Steel	
15	Lever Cover	1	Vinyl	
16	Body Stud	See Dimensions	Alloy 20	ASTM A371
17	Nut		Stainless Steel	ASTM A193 Gr B8M Carbon Steel
18	Anti-Static Device	2	316 Stainless Steel	
20	Stop Pin	1 2	304 Stainless Steel	
21	Gland Flange	1	Carbon Steel / 316 Stainless Steel	
22	Gland Bolt	2	304 Stainless Steel	
23	Ball Supporter Seat (10" to 12") 150 lb (6" to 12") 300 lb	1	RTFE	
24	Packing (10" to 12") 150 lb (6" to 12") 300 lb	3	TFE / RTFE / TFM / Nova	
25	Ball Supporter (10" to 12") 150 lb (6" to 12") 300 lb	1	304 Stainless Steel	
26	Bushing (10" to 12") 150 lb (6" to 12") 300 lb	1	304 Stainless Steel	
27	Bushing Nut (10" to 12") 150 lb (6" to 12") 300 lb	1	304 Stainless Steel	
28	Adjust Screw (10" to 12") 150 lb (6" to 12") 300 lb	1	304 Stainless Steel	



14300 Cornerstone Village Drive, Suite 321  
Houston, Texas 77014

Ph: 281-895-6384 Fax: 281-440-5576

Visit us on the web at [www.globalvalvesandcontrols.com](http://www.globalvalvesandcontrols.com)

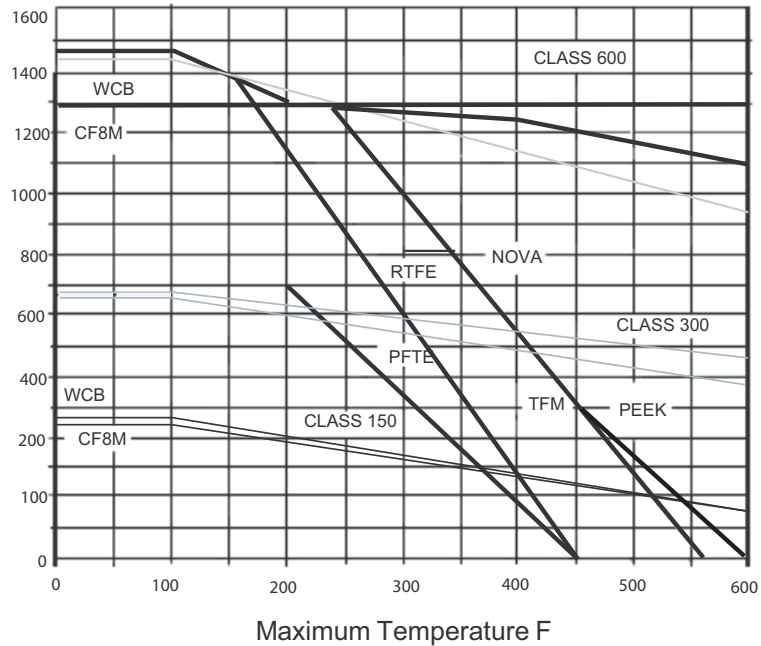
# Series FS

## Features and Options

### Design Features

- API 607 4<sup>th</sup> Ed Fire Safe Design
- API 608 compliant
- Split body, full port design per ASME B16.34
- Blow out proof, anti-static stem design
- Belleville spring, live loaded stem seals
- Floating ball design prevents cavity pressure build-up while the valve is open
- Fully encapsulated body seals prevent seal rupture in steam or high pressure services
- ISO 5211 integral mounting pad allows for easy mounting of actuators or media containment bonnet
- OSHA complaint locking handle
- Self cleaning, leak-tight slotted seat design
- Wide Choice of seat and seal material options
- Fully encapsulated seats
- Traceability in the form of heat numbers and CMTRs are available

### Seat Pressure– Temperature Ratings



## HOW TO ORDER

Valve Size		Valve Series	Class	Valve Material	Valve Trim	Seats	Body Seal & Stem Packing	Options
1/2"	2 1/2"	FS	150 300 600	1=Carbon Steel	1=Carbon Steel	H = TFM	G = Grafoil	O2 = Oxygen Prep OH = Oval Handle L = Lever Handle MCB = Media Containment Bonnet SE = Stem Extension GO = Gear Operator
3/4"	3"			2=Alloy 20	2=Alloy 20	N = Nova		
1"	4"			3=316SS	3=316SS	P = PEEK		
1-4"	6"			4=Hastalloy C	4=Hastalloy C	R = Reinforced Teflon		
1-8"	8"					T = Teflon		
1-10"	10"					U = UHMWPE		
2"	12"							

**8"**    **FS**    **150**    **3**    **3**    **R**    **G**    **SE**

Teflon<sup>®</sup> and Viton<sup>®</sup> are registered trademarks of E.I. DuPont – TriClamp<sup>®</sup> is a registered trademark of Tri Clover - TFM<sup>®</sup> is a registered trademark of Dyneon

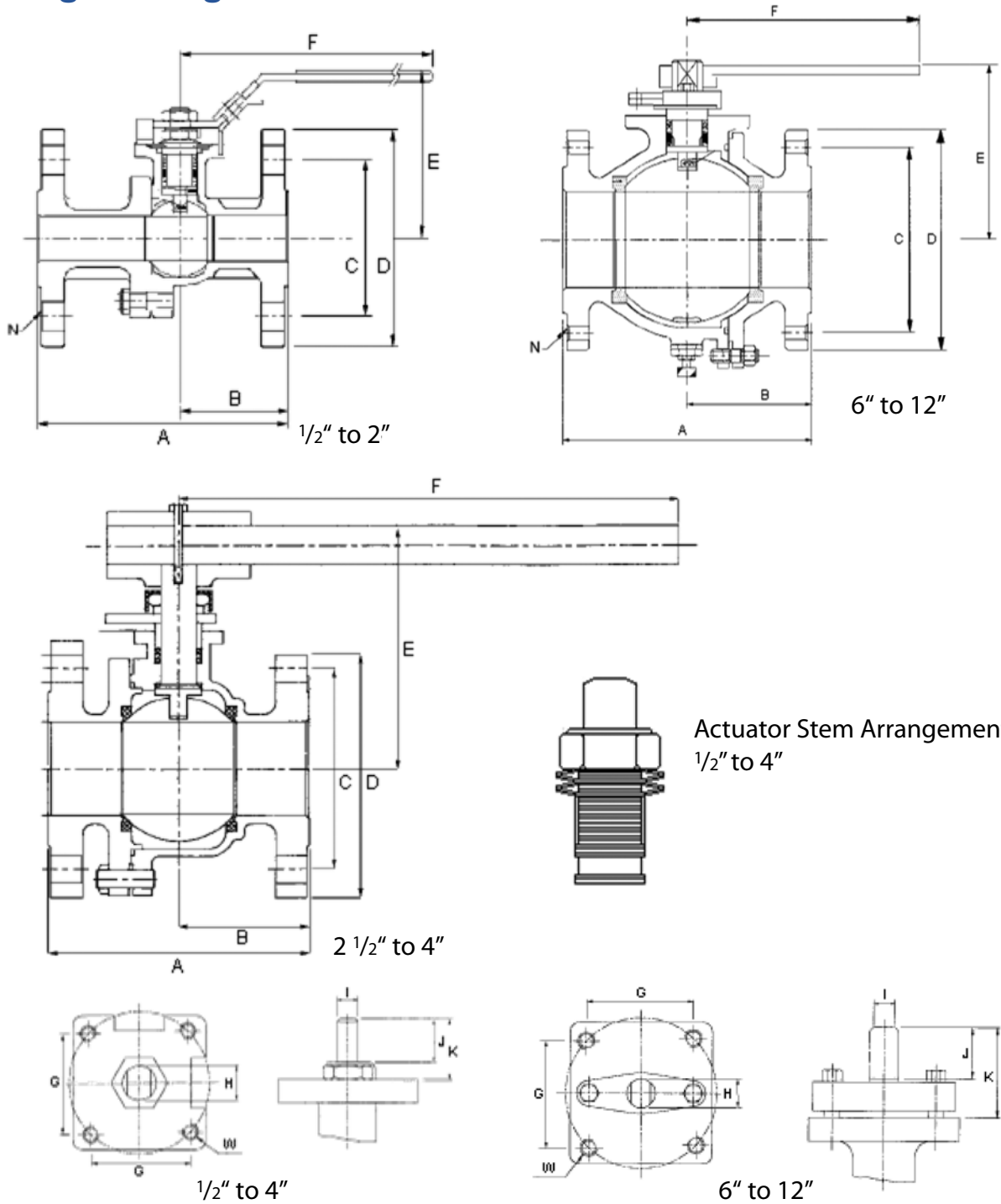


14300 Cornerstone Village Drive, Suite 321  
Houston, Texas 77014  
Ph: 281-895-6384 Fax: 281-440-5576

Visit us on the web at [www.globalvalvesandcontrols.com](http://www.globalvalvesandcontrols.com)

# Series FS

## Engineering Data



14300 Cornerstone Village Drive, Suite 321  
Houston, Texas 77014  
Ph: 281-895-6384 Fax: 281-440-5576

Visit us on the web at [www.globalvalvesandcontrols.com](http://www.globalvalvesandcontrols.com)

# GLOBAL<sup>®</sup>

## Valve & Controls

*Offering a complete line of valves for your flow control needs*

DIM	A			B			C			D			E			F			N			G		
CLASS	150	300	600	150	300	600	150	300	600	150	300	600	150	300	600	150	300	600	150	300	600	150	300	600
1/2"	4.25	5.50	6.50	1.80	2.44	3.25	2.38	2.62	2.62	3.50	3.75	3.75	2.60	3.75	1.80	6.50	6.50	4.98	4	4	4	1.39	1.39	1.39
3/4"	4.62	6.00	7.50	2.00	2.72	3.40	2.75	3.25	3.25	3.85	4.62	4.62	2.91	2.92	3.68	6.50	6.50	4.98	4	4	4	1.39	1.39	1.39
1"	5.00	6.50	8.50	2.12	2.92	4.25	3.13	3.50	3.50	4.25	6.12	4.88	3.45	3.43	3.80	7.87	7.87	5.77	4	4	4	1.39	1.39	1.39
1 1/2"	6.50	7.50	9.50	2.76	3.26	4.75	3.56	4.50	4.50	5.00	6.15	6.12	4.20	4.15	4.63	9.85	9.85	7.54	4	4	4	1.94	1.94	1.95
2"	7.00	8.50	11.50	3.08	3.94	5.47	4.75	5.00	5.00	6.00	6.50	6.50	4.50	4.53	5.00	10.45	10.50	7.54	4	8	8	1.94	1.94	1.95
2 1/2"	7.50	9.50	-	3.09	4.05	-	5.50	5.86	-	7.00	7.50	-	6.70	6.70	-	13.75	13.75	-	4	8	-	2.84	2.84	-
3"	8.00	11.12	14.00	3.74	5.40	6.18	6.00	6.62	6.62	7.48	8.25	8.25	7.00	7.00	7.20	13.75	13.75	13.75	4	8	8	2.84	2.84	2.84
4"	9.00	12.00	17.00	4.46	5.93	-	7.50	7.88	-	9.01	10.00	-	7.70	7.70	-	13.75	13.75	-	8	8	-	2.84	2.84	-
6"	15.50	15.87	-	7.61	7.60	-	9.50	10.63	-	10.98	12.50	-	11.22	11.22	-	38.97	38.97	-	8	12	-	3.48	3.48	-
8"	18.00	19.75	-	8.34	9.33	-	11.75	13.00	-	13.50	15.00	-	11.57	12.71	-	38.97	38.97	-	8	12	-	3.48	3.48	-
10"	21.00	22.37	-	10.47	11.18	-	14.25	15.25	-	15.98	17.50	-	13.70	15.28	-	G.O.	G.O.	-	12	16	-	3.90	3.48	-
12"	24.00	25.51	-	12.00	12.80	-	17.00	17.75	-	19.01	20.50	-	13.50	15.08	-	G.O.	G.O.	-	12	16	-	3.90	3.90	-

DIM	H			I			J			K			W			PORT DIA (IN)			WEIGHT (LBS)			Approx Cv Data
CLASS	150	300	600	150	300	600	150	300	600	150	300	600	150	300	600	150	300	600	150	300	600	All Classes
1/2"	3/8-24 UNF		1/2-20 UNF	0.25	0.295	0.39	0.39	0.49	0.63	0.63	0.74	M5	M5	M6	0.59	0.59	0.59	4	5	6	26	
3/4"	3/8-24 UNF		1/2-20 UNF	0.25	0.295	0.39	0.39	0.49	0.63	0.63	0.79	M5	M5	M6	0.78	0.78	0.78	6	7	8	50	
1"	7/16-20 UNF		9/16-18 UNF	0.35	0.393	0.50	0.50	0.61	0.90	0.90	0.93	M6	M6	M6	1.00	1.00	1.00	8	10	11.5	94	
1 1/2"	9/16-18 UNF		3/4-16 UNF	0.35	0.472	0.55	0.55	0.84	1.18	1.18	1.22	M8	M8	M8	1.50	1.50	1.50	15	19	22	260	
2"	9/16-18 UNF		3/4-16 UNF	0.39	0.472	0.55	0.55	0.84	1.18	1.18	1.22	M8	M8	M8	2.00	2.00	2.00	20	33	38	480	
2 1/2"	1-14 UNS	-	-	-	-	-	-	-	1.83	1.83	-	M10	M10	-	2.55	2.55	-	36	50	-	750	
3"	1-14 UNS	-	1-20 UNF	0.67	0.745	0.90	0.90	0.69	1.83	1.83	1.67	M10	M10	M10	3.00	3.00	3.00	45	68	78	1300	
4"	1-14 UNS	-	-	0.72	-	1.13	1.13	-	1.83	1.83	-	M10	M10	-	4.00	4.00	4.00	75	96	188	2300	
6"	1.72	-	-	0.95	-	1.77	1.77	-	3.35	3.35	-	M12	M12	-	6.00	6.00	-	135	230	-	5400	
8"	1.72	-	-	-	-	-	-	-	3.86	3.86	-	M12	M12	-	7.88	7.88	-	290	430	-	10000	
10"	1.96	-	-	-	-	-	-	-	3.74	3.91	-	M16	M16	-	9.84	9.84	-	540	810	-	15000	
12"	1.96	-	-	-	-	-	-	-	3.74	3.82	-	M16	M16	-	11.81	11.81	-	660	902	-	21000	

G.O. - Gear Operated (Optional)

14300 Cornerstone Village Drive, Suite 321, Houston, Texas 77014. Ph: 281-895-6384 Fax: 281-440-5576

Visit us on the web at [www.globalvalvesandcontrols.com](http://www.globalvalvesandcontrols.com)