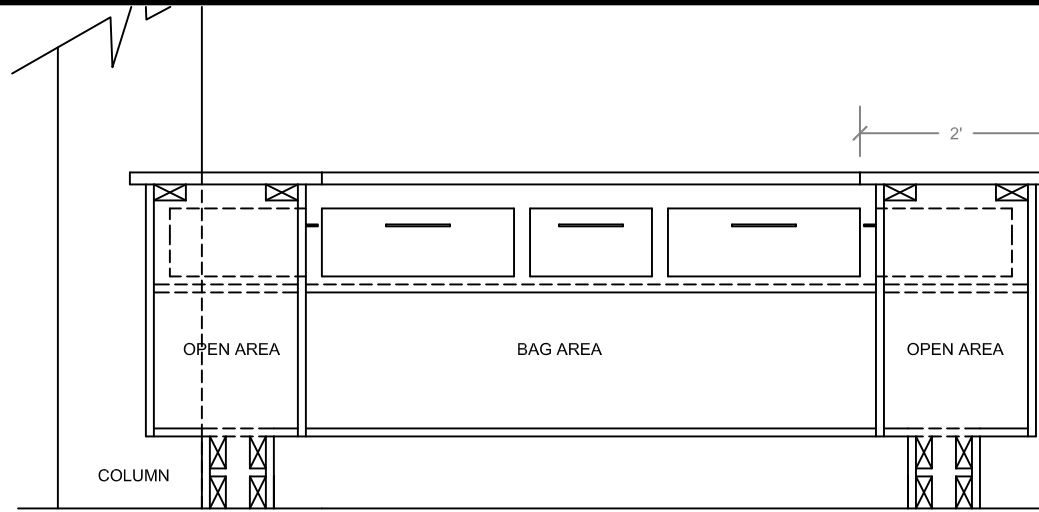
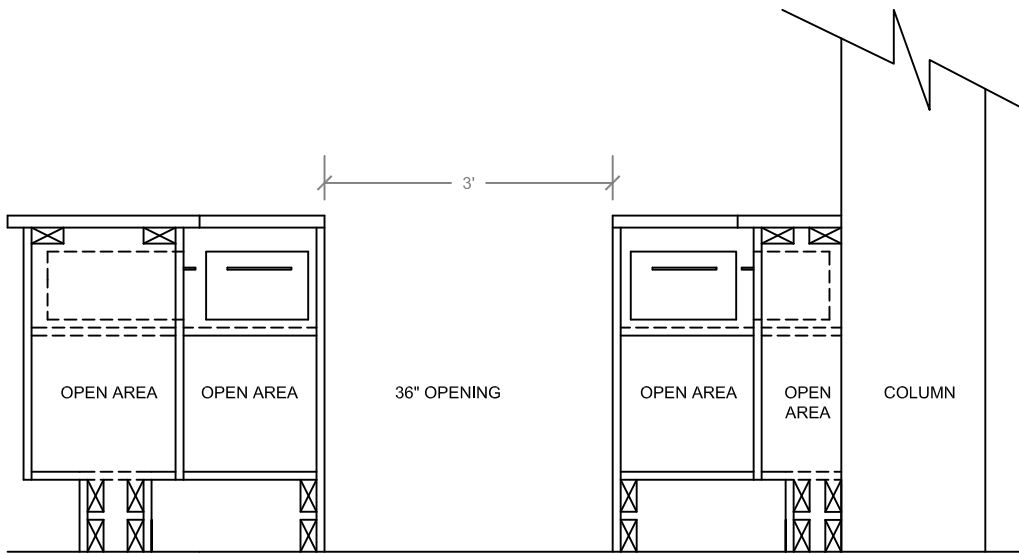


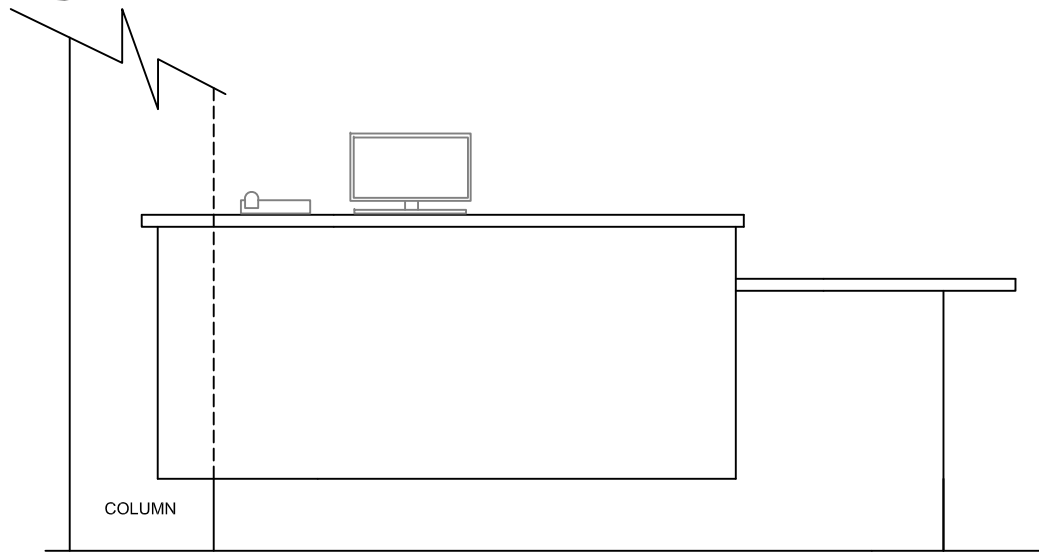
1 INTERIOR SOUTH EAST RETAIL COUNTER  
SCALE: 1/2"=1'-0"



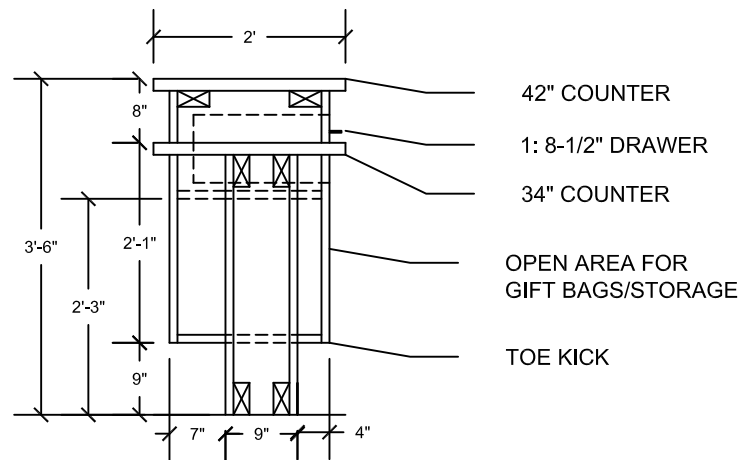
2 INTERIOR SOUTH WEST RETAIL COUNTER  
SCALE: 1/2"=1'-0"



3 INTERIOR NORTH EAST RETAIL COUNTER  
SCALE: 1/2"=1'-0"



4 EXTERIOR SOUTH EAST RETAIL COUNTER  
SCALE: 1/2"=1'-0"



5 CUT SECTION OF COUNTER CONSTRUCTION  
SCALE: 1/2"=1'-0"



INTERIOR DESIGN BACHELOR'S PROGRAM  
ID450 CONSTRUCTION DOCUMENTS FALL 2011 S1  
**FOUND - RETAIL STORE**

49 SOMETHING, ASHEVILLE, NC

NAME: AMANDA  
MANUEL

DATE: 10-21-2011

REVISIONS:

SHEET:  
ELEVATIONS

SHEET NO. :4-4

**A-4**