

1 CONFERENCE ROOM EAST WALL ELEVATION
A4 SCALE: 1/4"=1'-0"

- 1 BAR SINK KOHLER-14287_H6
<http://www.us.kohler.com/onlinecatalog/detail.jsp?item=8764402§ion=2&category=16>
- 2 3 5/8" C CHANNEL METAL STUDS W/ 5/8" X GWB EACH SIDE EXTEND TO FLOOR LEVEL - 1 HOUR FIRE RATED - PAINT PER CLIENT REQUEST
- 3 1TF1TM SELECT ALDER- KOLBE FLAT PANEL INTERIOR SWING DOOR FLUSH MOUNT 3'X6'8"X1-3/8"
<http://www.kolbe-kolbe.com/homeowner/index.cfm?page=products&sub=doorsInfo&id=13&detail=77>
- 4 AURORA GOLD ICESTONE COUNTER TOP 2'-0" X 8'-0" X 1-1/4" W/ 4"H BACKSPLASH
http://www.icestone.biz/index.php?option=com_content&view=article&id=16&Itemid=17
- 5 RAISED FLOOR AT 6" AFF IN CONFERENCE ROOM
<http://www.tateaccessfloors.com/products/concore.aspx>
- 6 2"x1/2" DOOR TRIM- BRUSHED NICKEL
- 7 EDEN ALDER RECESSED PANEL SQUARE CABINET DOOR-(2) 48" CABINETS AT 30"H W/ 8" NICKEL HANDLE
<http://www.thomasvillecabinetry.com/Style10/Eden.aspx>
- 8 6" RECESSED DOWNLIGHT 2'-0" APART FROM SOFFIT OC BY CAPRI LIGHTING
<http://www.caprilighting.com/pdfspeccs/RC2-10.pdf>
- 9 120W INCANDESCENT ROUND CEILING MOUNT LIGHTS CLOSET OC 12"X3.5"H NICKEL FINISH
<http://www.pegasusassociates.com/CeilingFlushPF7171.html>
- 10 4" COMMERCIAL BROWN VINYL BASE BOARD W/ TOE
<http://www.kofflers.com/product.asp?cid=58&pid=102>

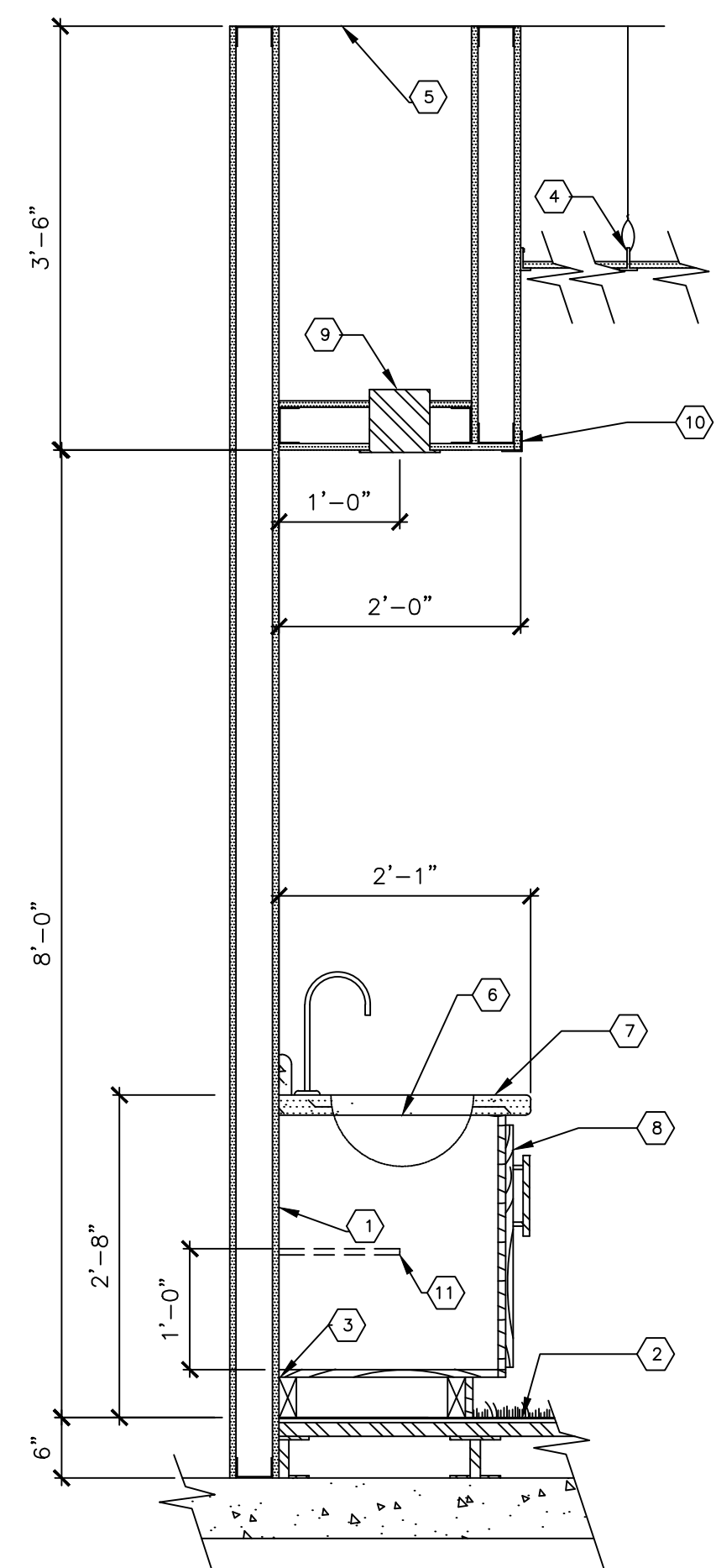
NO	REVISIONS	DATE

ID340 UA INTERIOR ARCHITECTURAL
 SYSTEMS AND DETAILING
 FALL SESSION 1 2010
 AMANDA MANUEL

SHEET CONTENTS
ELEVATIONS CONT

DRAWN BY: A.MANUEL SHEET: 3 OF 5

DATE: 10/21/10 A4



2 EAST WALL SECTION-CONFERENCE ROOM
A4 SCALE: 3/4"=1'-0"

- 1 3 5/8" C CHANNEL METAL STUDS W/ 5/8" X GWB EACH SIDE EXTEND TO UNDERSIDE OF FLOOR STRUCTURE - 1 HOUR FIRE RATED - PAINT PER CLIENT REQUEST-BATTING R16 RATED
- 2 RAISED FLOOR AT 6" AFF IN CONFERENCE ROOM
<http://www.tateaccessfloors.com/products/concore.aspx>
- 3 4" VINYL FLOOR TRIM
<http://www.installerstore.com/catalog/Johnsonite-Vinyl-Cove-Base-Pearl-p-534.html>
- 4 ACOUSTIC DROP CEILING GRID - SEE RCP FOR MORE DETAILS
- 5 EXISTING ROOF STRUCTURE
- 6 BAR SINK KOHLER-14287_H6
<http://www.us.kohler.com/onlinecatalog/detail.jsp?item=8764402§ion=2&category=16>
- 7 AURORA GOLD ICESTONE COUNTER TOP 2'-0" X 8'-0" X 1-1/4" W/ 4"H BACKSPLASH
http://www.icestone.biz/index.php?option=com_content&view=article&id=16&Itemid=17
- 8 EDEN ALDER RECESSED PANEL SQUARE CABINET DOOR-(2) 48" CABINETS AT 30"H W/ 8" NICKEL HANDLE
<http://www.thomasvillecabinetry.com/Style10/Eden.aspx>
- 9 6" RECESSED DOWNLIGHT 2'-0" APART FROM SOFFIT OC SEE L2 SHEET A2 BY CAPRI LIGHTING
<http://www.caprilighting.com/pdfspeccs/RC2-10.pdf>
- 10 SOFFIT AT 8'-0" AFF W/ 3 5/8" C CHANNEL METAL STUDS W/ 5/8" X GWB EACH SIDE L CHANNEL ON EXPOSED EDGE W PLASTER
- 11 FIXED 12" DEEP SHELF AT 1' FROM CABINET FLOOR MINUS AREA FOR PLUMBING