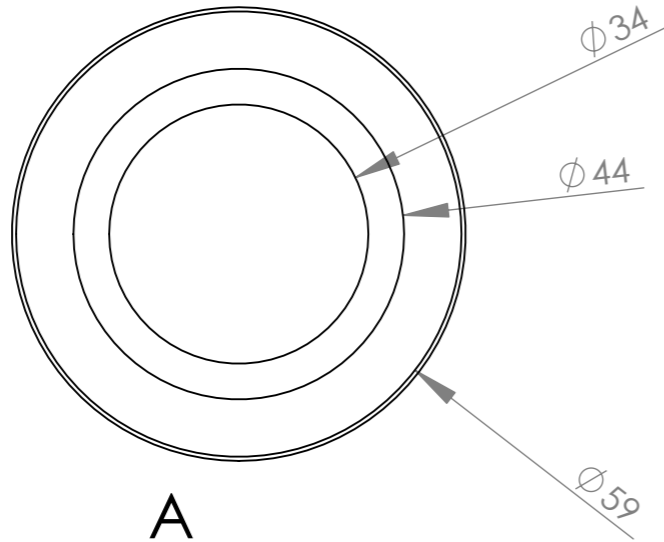
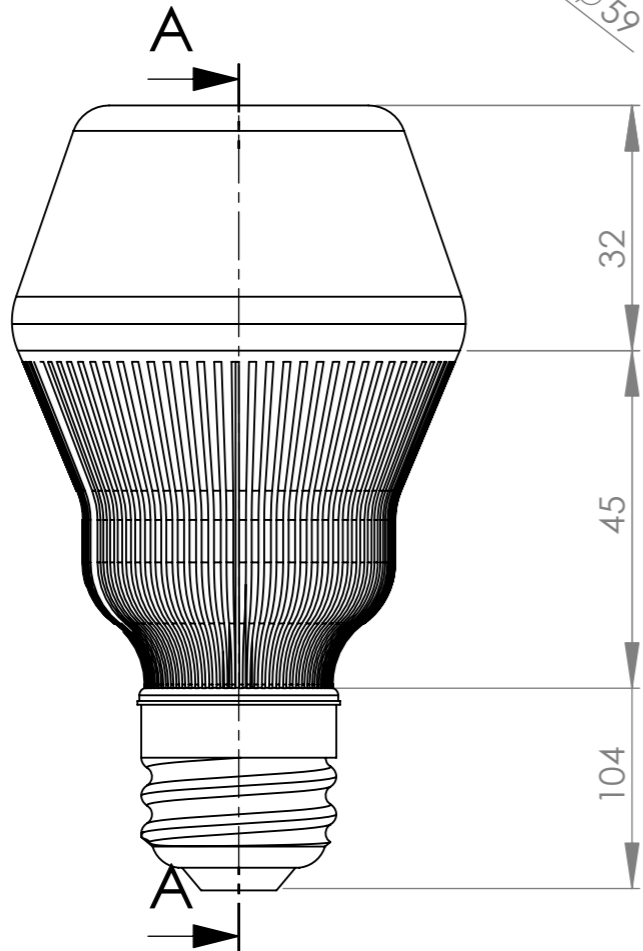


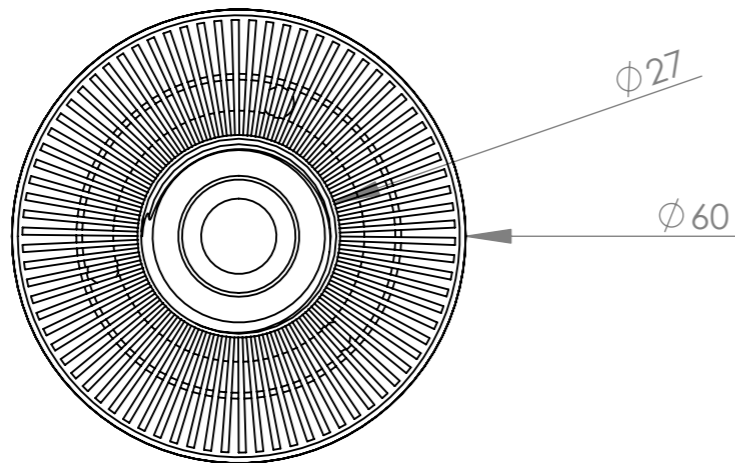
TOP



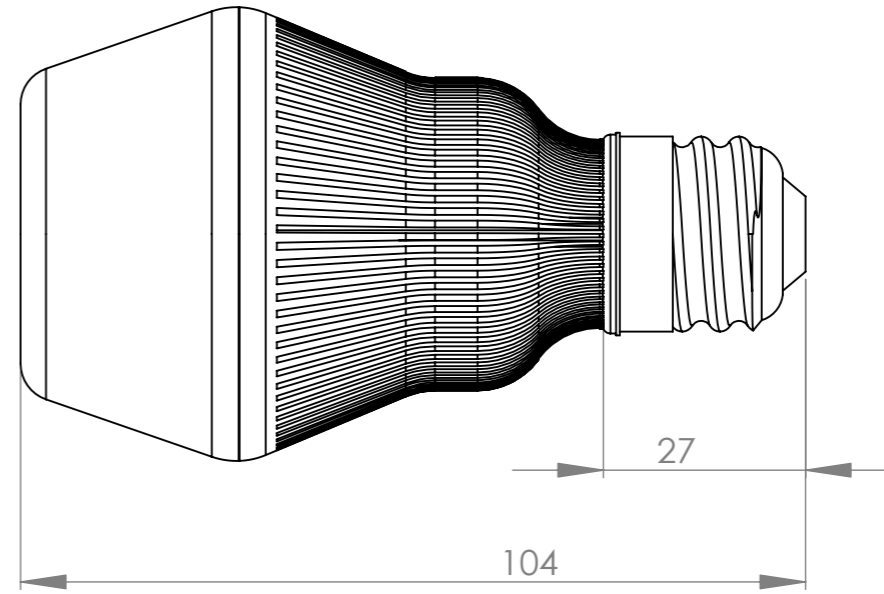
FRONT



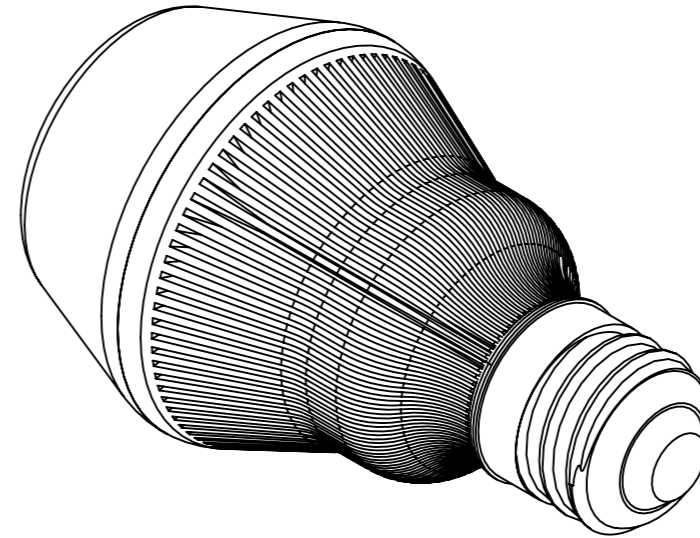
BOTTOM



SIDE



PERSPECTIVE



UNLESS OTHERWISE SPECIFIED:
 DIMENSIONS ARE IN MILLIMETERS
 SURFACE FINISH:
 TOLERANCES:
 LINEAR: ± 0.05
 ANGULAR: ± 0.5

FINISH:
 MACHINED

DEBUR AND
 BREAK SHARP
 EDGES

DO NOT SCALE DRAWING

REVISION ERROR!:Revision

SOFTRAY

TITLE:
**HIGH POWERED
 LED BULB ORTHOGONAL**

NAME	SIGNATURE	DATE
DRAWN		
CHK'D		
APPV'D		
MFG		
Q.A		

MATERIAL:
 SEE BOM

DWG NO. **SRDWG_0004**

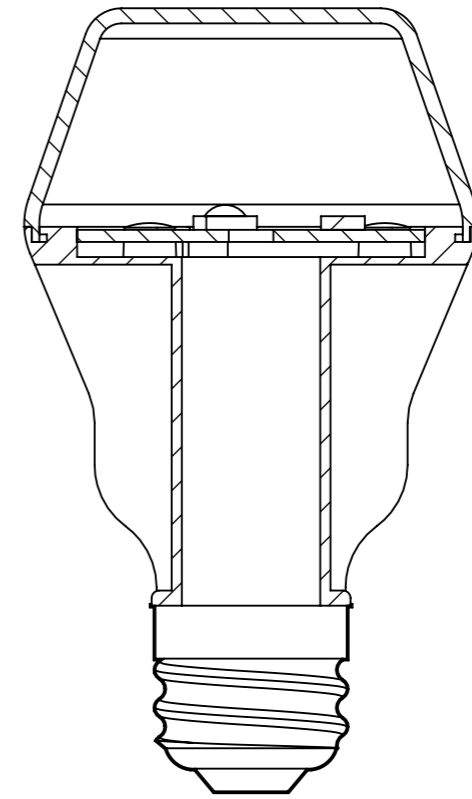
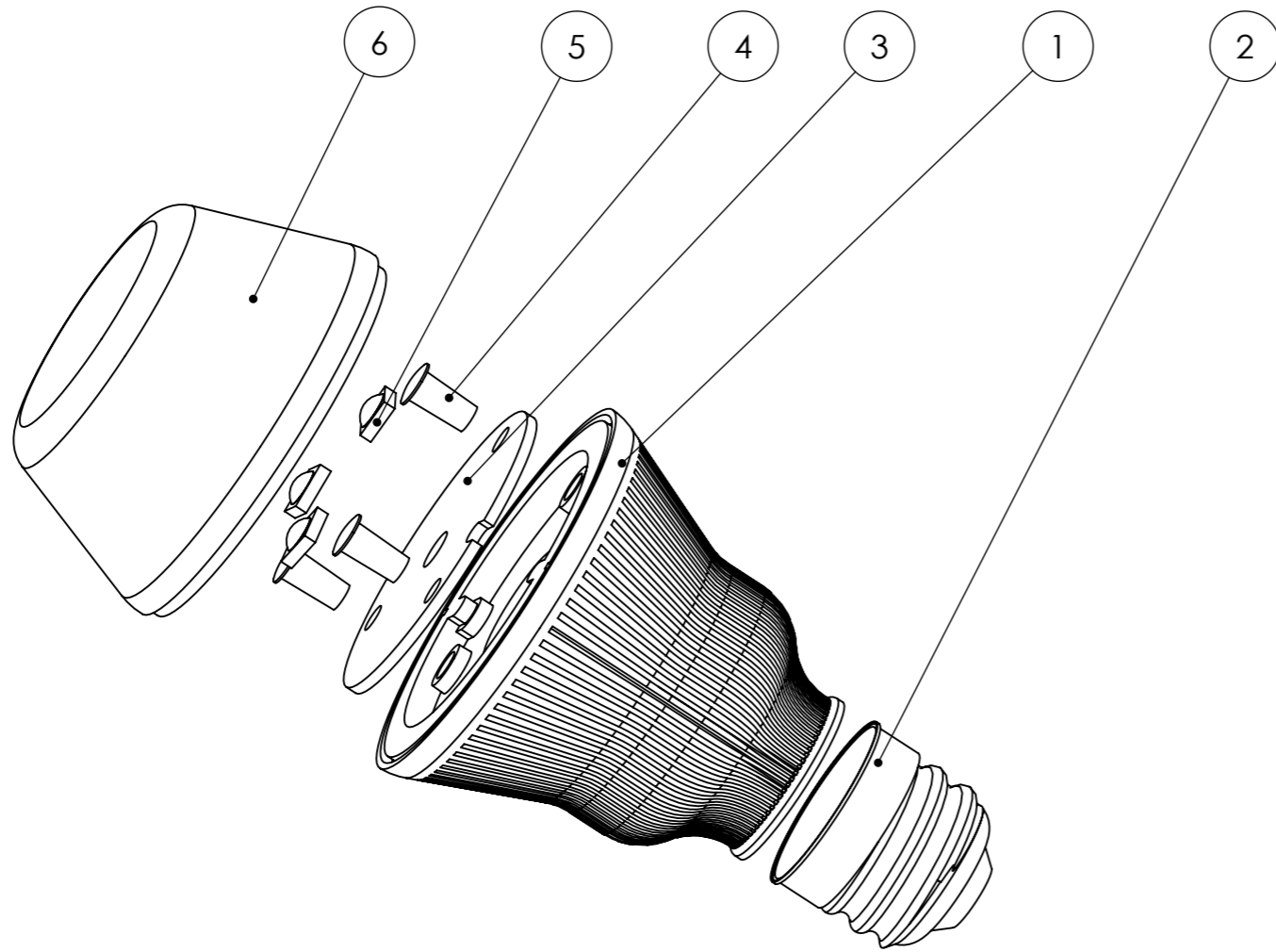
A3

WEIGHT: ERROR!:WeightERROR!:Weight

SCALE:1:1

SHEET 1 OF 2

ITEM NO.	PART NUMBER	QTY.
1	ALUMINIUM BASE	1
2	BULB SCREW BASE	1
3	LED CIRCUIT BOARD	1
4	SCREW	3
5	HIGH POWERED LED	3
6	PLASTIC COVER	1



SECTION A-A

UNLESS OTHERWISE SPECIFIED: DIMENSIONS ARE IN MILLIMETERS SURFACE FINISH: TOLERANCES: LINEAR: ±0.05 ANGULAR: ±0.5		FINISH: MACHINED		DEBUR AND BREAK SHARP EDGES		DO NOT SCALE DRAWING		REVISION ERROR!:Revision	
						SOFTRAY			
						TITLE: HIGH POWERED LED BULB SECTION & EXPLODE			
						DWG NO. SRDWG_0005		A3	
						WEIGHT: ERROR!:WeightERROR!:Weight		SCALE:1:1	
						SHEET 2 OF 2			

A
B
C
D
E
F

A
B
C
D
E
F