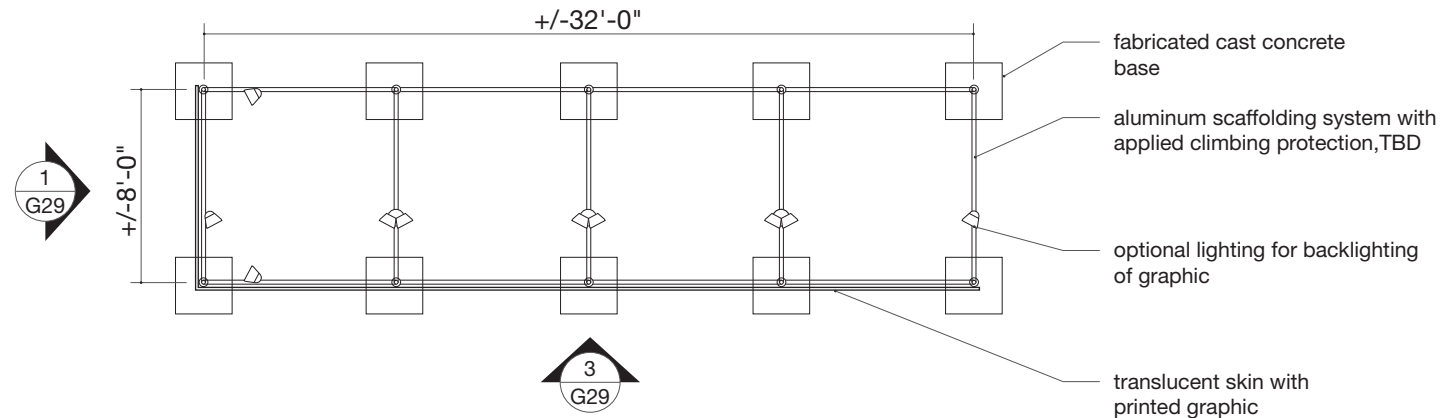


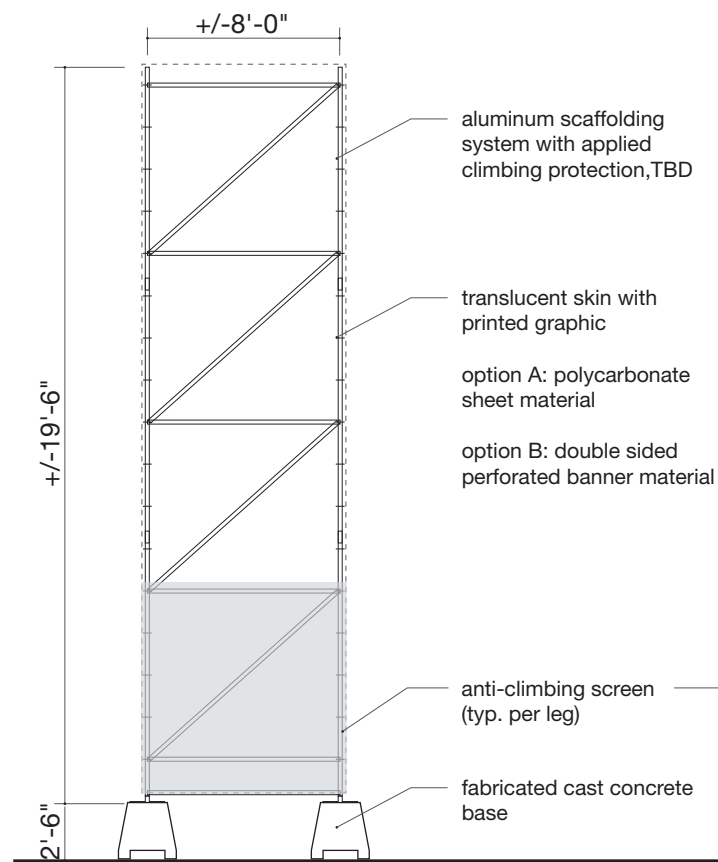
**Notes:**

- Engineering specifications to be provided by architect.
- Fabricator to price perforated banner material in bid and price polycarbonate steering as alternate material.

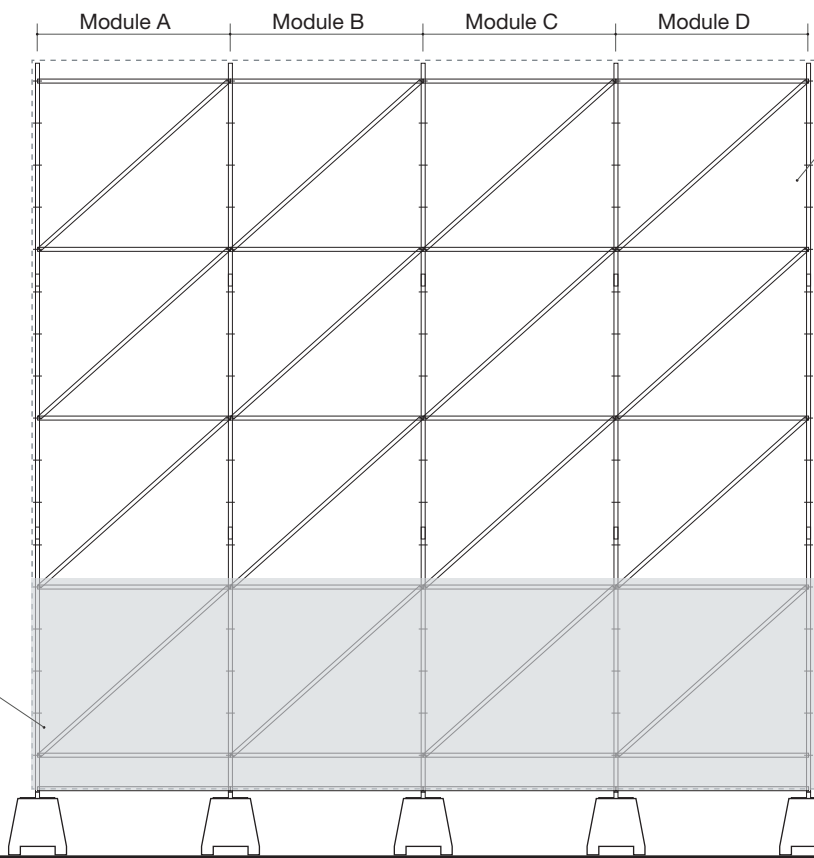


**2 Plan**  
SCALE: 3/16"=1'0"

- fabricated cast concrete base
- aluminum scaffolding system with applied climbing protection, TBD
- optional lighting for backlighting of graphic
- translucent skin with printed graphic
- option A: polycarbonate sheet material
- option B: double sided perforated banner material



**1 End View**  
SCALE: 3/16"=1'0"



**3 Elevation**  
SCALE: 3/16"=1'0"

- modular and reusable construction barrier to be used in concert with wood construction barriers; modular barrier to carry project marketing information; modular structure including case concrete bases shall be engineered to meet the wind load requirements in accordance with the International Building Code, 2003 edition, City of Houston Sign Code and area soil requirements by an engineer licensed by the state of Texas.
- wood construction barrier by others

