

# JOHNSTON & MURPHY

DIVIDEND COLLECTION



# Calvin Klein

## Thompson Collection

Silver



Sapphire



Garnet



Anthracite



# Calvin Klein

---

## Thompson Collection



# hartmann

## INTENSITY



# hartmann

ND  
Nordstrom Design LLC

## Alliance Briefcase Collection



Nicole Miller



---

New York Collection

ATLANTIC



# Swiss Army

---

## NXT 3.0



# Swiss Army

---

## NXT 3.0



# NXT 3.0

## Handle/Cup Assembly

Victorinox

ND  
Nordstrom Design LLC



# Victorinox

---

NXT 3.0 Custom Top Handle



# Soft Business Case Collection for Swiss Army

---



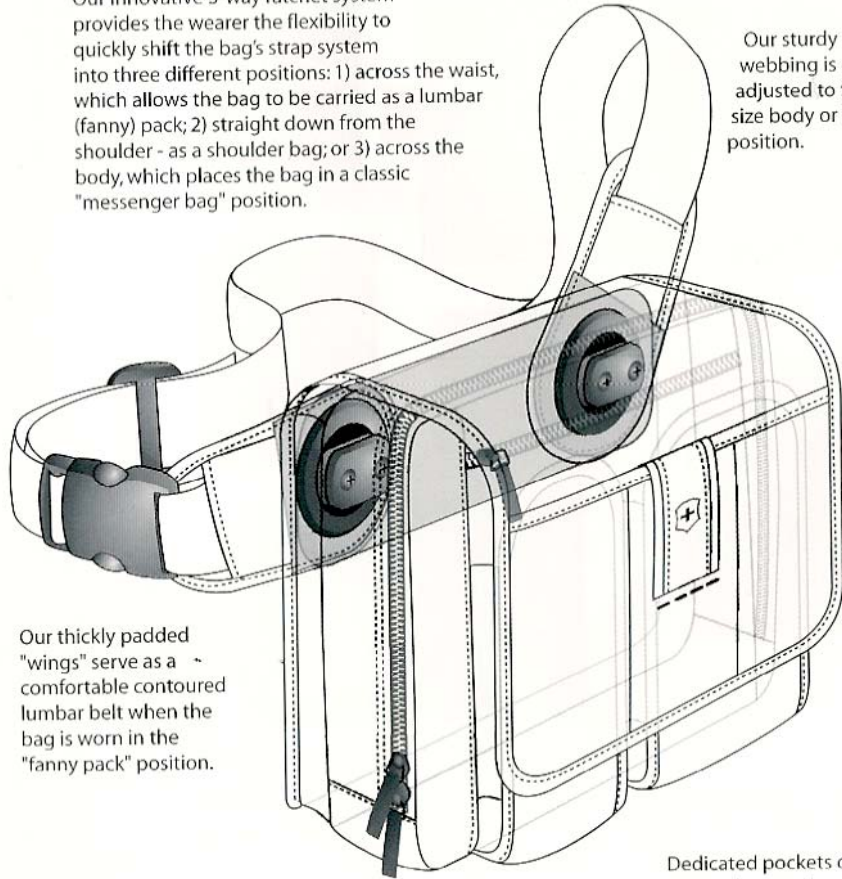
 VICTORINOX

## CS2 Suspension Computer Sleeve



## Examples of patent pending design mechanisms for Swiss Army Brands

Our innovative 3-way ratchet system provides the wearer the flexibility to quickly shift the bag's strap system into three different positions: 1) across the waist, which allows the bag to be carried as a lumbar (fanny) pack; 2) straight down from the shoulder - as a shoulder bag; or 3) across the body, which places the bag in a classic "messenger bag" position.

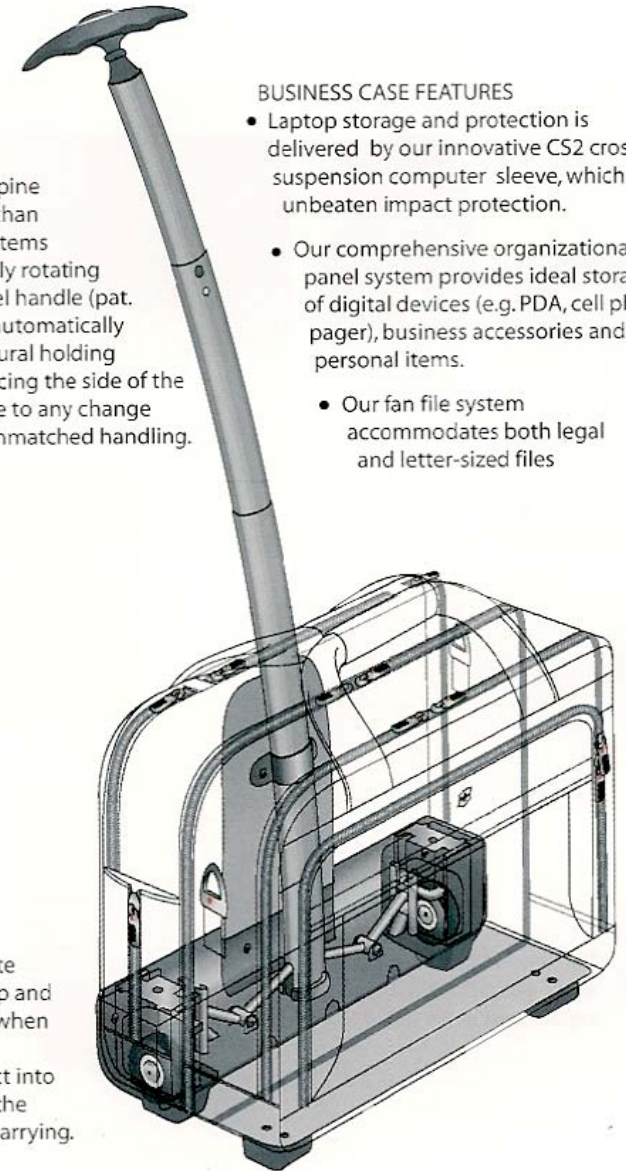


Our sturdy nylon webbing is easily adjusted to fit any size body or bag position.

Our thickly padded "wings" serve as a comfortable contoured lumbar belt when the bag is worn in the "fanny pack" position.

Dedicated pockets offer storage and protection of cell phones, PDA's, digital cameras and smart technology as well as accessories such as keys, sunglasses, water bottles, cards, currency, tickets and more.

Our mono-pole spine system is lighter than double-poled systems and features a fully rotating Response™ swivel handle (pat. pending) which automatically swings into a natural holding position (palm facing the side of the body) in response to any change in direction for unmatched handling.



### BUSINESS CASE FEATURES

- Laptop storage and protection is delivered by our innovative CS2 cross-suspension computer sleeve, which provides unbeaten impact protection.
- Our comprehensive organizational panel system provides ideal storage of digital devices (e.g. PDA, cell phone, pager), business accessories and personal items.
- Our fan file system accommodates both legal and letter-sized files

Our retractable in line skate wheels (pat. pending) drop and lock into place for rolling when the mono-pole handle is extended, then fully retract into the wheel housing when the handle is closed for easy carrying.



## LAPTOP MESSENGER BAG

### COMPUTER MESSENGER BAG

14.5"W X 11"H X 4.5"D [EXPANDS TO 7"D]

- Briefcase expands 2.5" for extra storage capacity
- Sturdy nylon fabric and leather trim makes the bag lightweight, durable, and stylish
- Signature buckle and hook and loop closure provides added security for precious cargo
- Legal-size fan file keeps all documents organized, easily accessible, and wrinkle-free
- Padded, internal compartment holds up to a 15" laptop safely and securely



BLACK  
35611

## VERTICAL MESSENGER

### VERTICALLY-ORIENTED MESSENGER BAG

12"W X 13.5"H X 5.5"D

- Organizational panel securely stores all forms of personal accessories and communication devices
- With the quick access loops and outside pocket, small items are always within easy reach
- Signature buckle and zip closure provides added security for precious cargo
- Sturdy nylon fabric and leather trim makes the bag lightweight, durable, and stylish
- The convenient water bottle pocket makes staying hydrated easy



BLACK  
35701

## PRIME MESSENGER BAG

### SIMPLE MESSENGER BAG

15.5"W X 10"H X 6"D

- Large, zippered mesh pocket and slash pocket underneath the front flap securely stores all forms of personal accessories and communication devices
- Hook and loop closure provides added security for precious cargo
- Sturdy nylon fabric makes the bag lightweight, durable, and stylish
- Interior pockets securely store all forms of personal accessories and communication devices



BLACK  
35711

RED  
35713

## LAPTOP PAK

### LAPTOP BACKPACK

20"W X 14"H X 9"D

- Organizational panel, fan file, and cell phone holder secure all forms of personal accessories and communication devices
- Music pocket and headphone port allow for seamless music on the go
- Compression molded back panel makes wearing the bag endlessly comfortable
- Padded, internal compartment holds up to a 15" laptop safely and securely



BLACK  
35641

## MINI-PAK

SMALL URBAN DAYPACK

11.25"W x 9.5"H x 6"D

- Organizational panel securely stores all forms of personal accessories and communication devices
- Music pocket and headphone port allow for seamless music on the go
- Compression-molded back panel makes wearing the bag endlessly comfortable
- Signature buckle and drawstring closure provide added security for precious cargo



BLACK  
35661

RED  
35663



## VERTICAL ORGANIZER

VERTICAL ORGANIZER

6"W x 9.5"H x 3.5"D

- Organizational panel securely stores all forms of personal accessories and communication devices
- With the quick access loops and outside pocket, small items are always within easy reach
- Compression-molded back panel makes wearing the bag endlessly comfortable
- Several inside and out pockets for neat compartmentalization of items
- Main compartment is large enough for a camera or book
- Can be worn across the body or over a shoulder as a tote



BLACK  
35691

## MONO GEAR BAG

ONE SHOULDER SLING ACROSS BODY BAG

18"W x 13"H x 2.5"D

- Organizational panel securely stores all forms of personal accessories and communication devices
- Adjustable, contoured mono strap and waist belt, cushion heavy loads
- Music pocket and headphone port allow for seamless music on the go
- Convenient water bottle pocket makes staying hydrated easy
- Clip-on cell phone holder for instant access



BLACK  
35651



## SATCHEL

SMALL GEAR BAG

17"W x 11.5"H x 8"D

- Organizational panel securely stores all forms of personal accessories and communication devices
- Zippered shoe compartment keeps dirty/clean/wet/dry items separated
- With the quick access loops and outside pocket, small items are always within easy reach
- Convenient water bottle pocket makes staying hydrated easy
- Large, zippered mesh pocket on the inside to hold accessories
- Zippered security pocket on back converts to a sleeve for sliding over wheeled handle systems

BLACK  
35681

RED  
35683



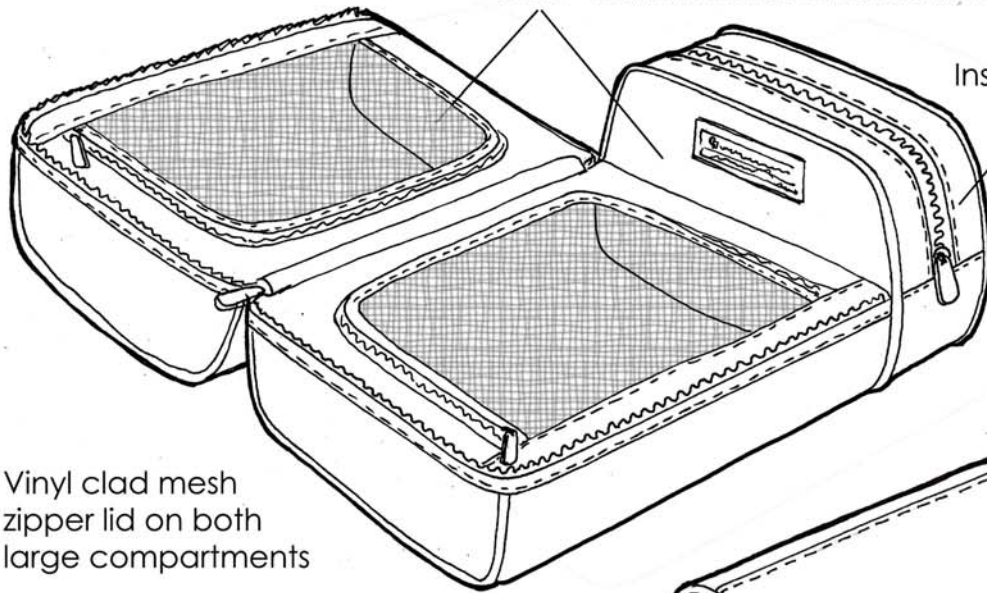


# VICTORINOX

3 Compartment Toilet Kit

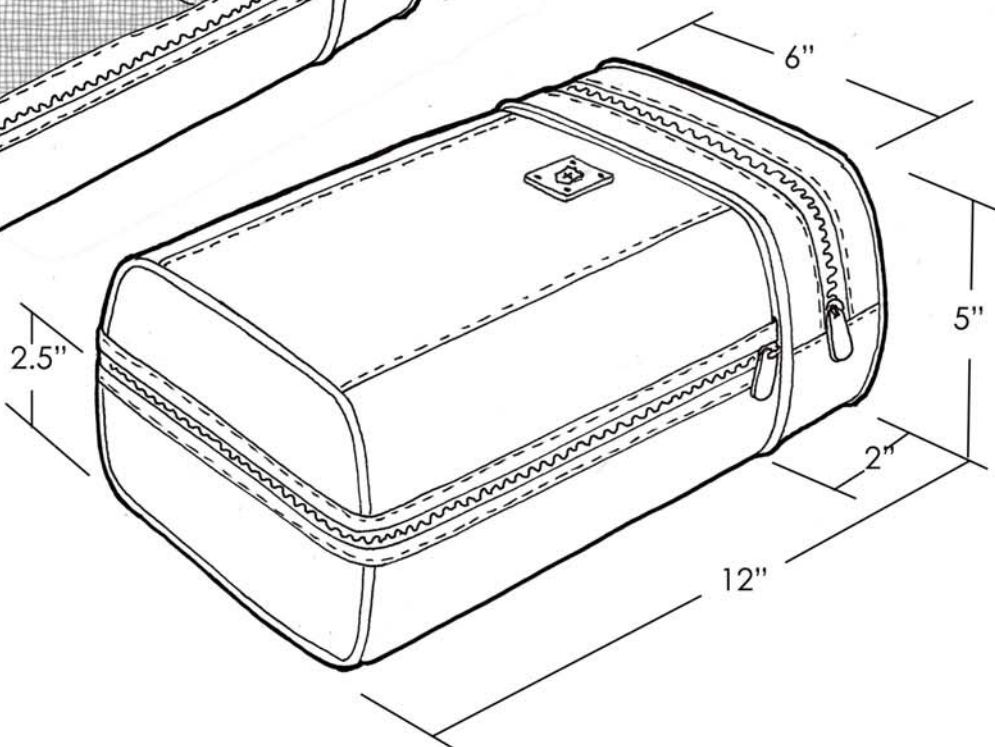
.125" foam stiffener sandwiched in these vertical panels

Insulated Pill Compartment



Vinyl clad mesh zipper lid on both large compartments

This design provides better visibility and access to stored items



# Timberland

## Heritage



### Profiles:

1. Upright  
22"x 14"x 10"
2. Wheeled Duffel  
28"x 12"x 13"
3. Carry-On  
19"x 13"x 8"
4. Deluxe Ruck Sack  
16"x 12"x 7"
5. Brief Case  
16"x 12"x 6"
6. Cargo Duffel  
20"x 12"x 10"
7. Top Zip Duffel  
19"x 12"x 10"
8. Messenger  
16"x 12"x 5"
9. Exp. Toiletry Kit  
11"x 7"/9"x 6"
10. Mini-Ruck  
13"x 10"x 5"
11. Field Bag  
9"x 7"x 4"
12. Square Ruck  
16"x 12"x 5"



# Timberland

## R73





# Timberland

R73



# Timberland



Detachable  
Day Pack with:

Wallet Pocket  
Organizer  
Pocket  
WaterBottle  
Pockets

Back Panel:

Un-Zips Providing  
Padded Shoulder  
Straps and Waist Belt



Carry-On Sized  
Back Pack Features:

Patented Rotating  
Wheel Handle  
All-Terrain Wheel System  
Add-A-Bag Attachment



Color: Bluestone

# Wheeled Backpack

# Callaway GOLF



Spring-activated  
**Power-Pull™** handle  
system reduces  
"weight-in-hand" 40%  
for handling ease



Best



Oversize in-line skate  
wheels for smooth  
rolling action

Basic

**Steelhead® Club  
Protection** wraps  
around clubs to protect  
equipment from impact



Good



Two large front  
pockets store golf  
shoes and other  
accessories



Better