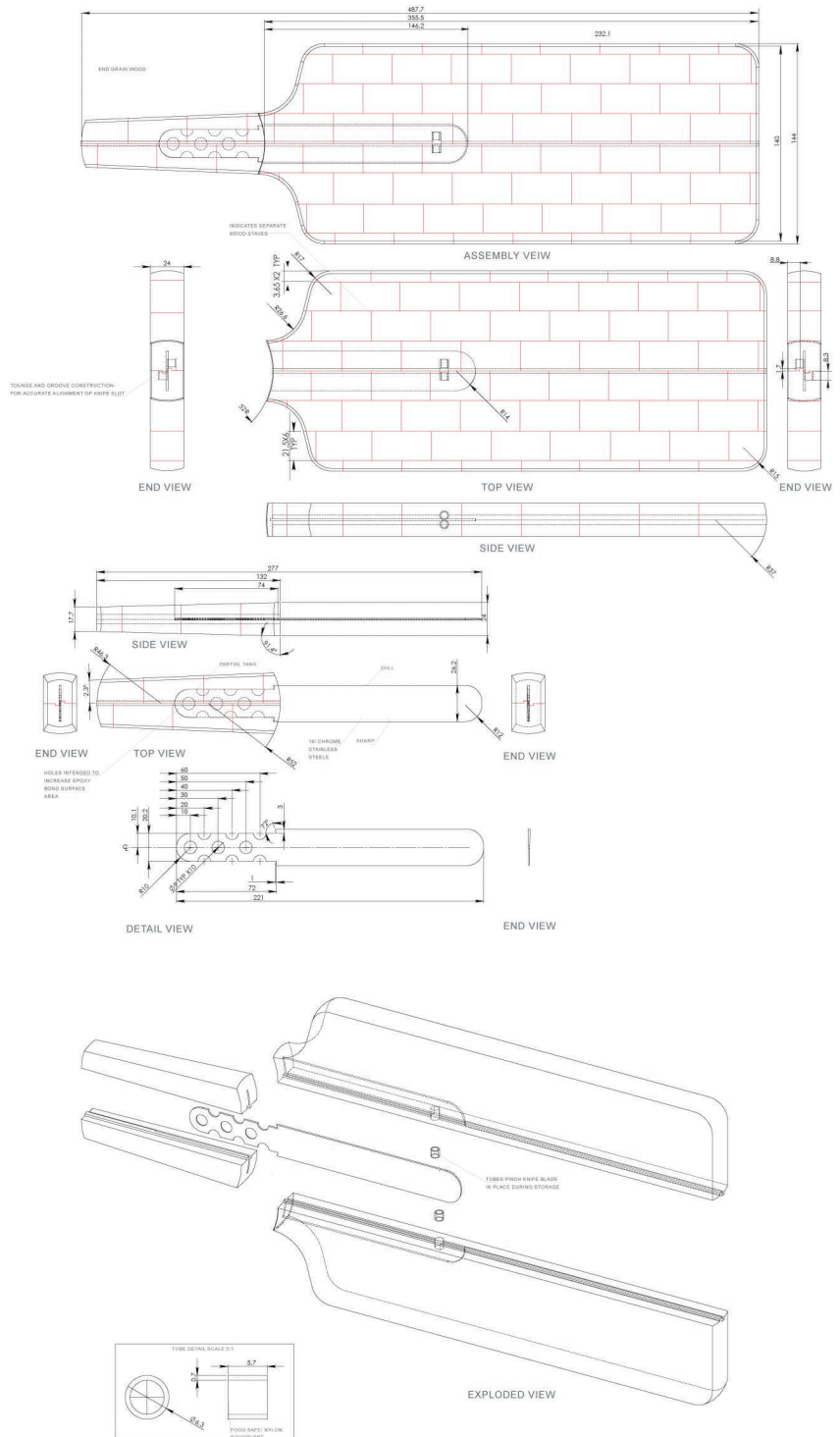


DANSK® Belongings Bread Cutting Board



My role in this line was to translate classic mid-century peices into 2-D Drawings for re-manufacture.

