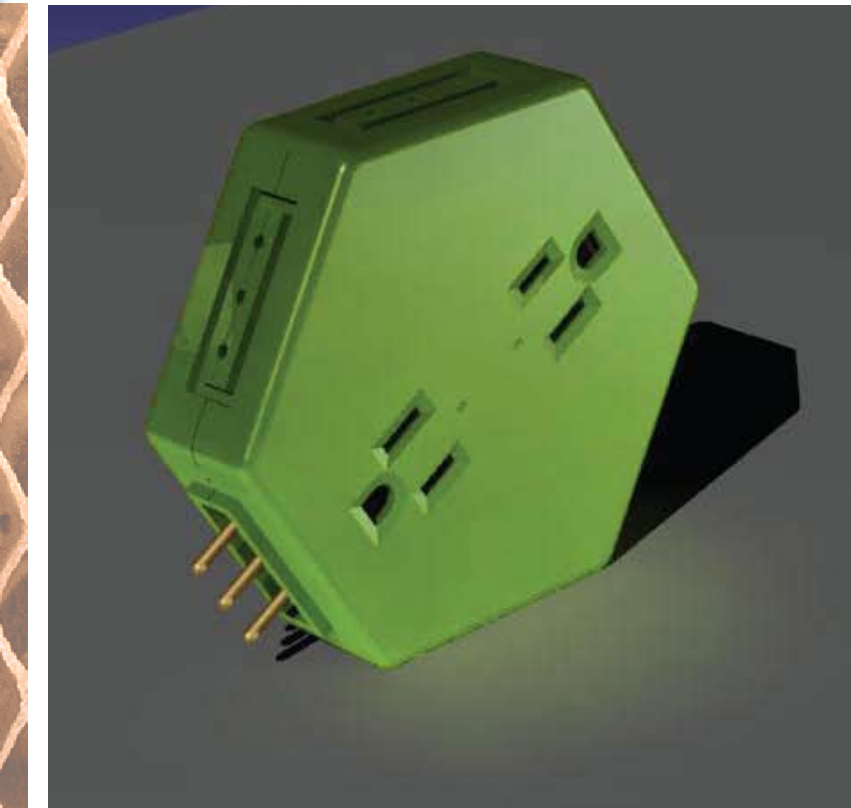
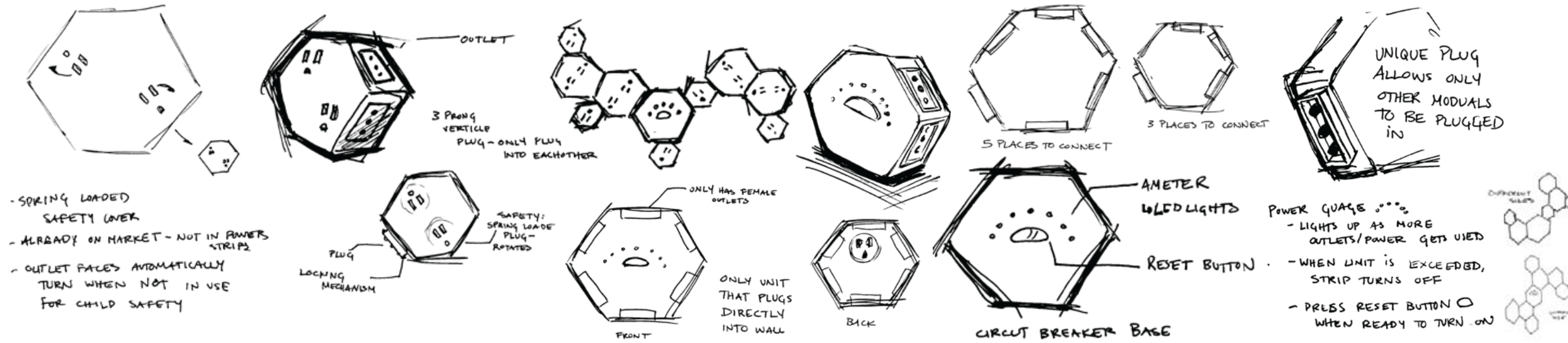
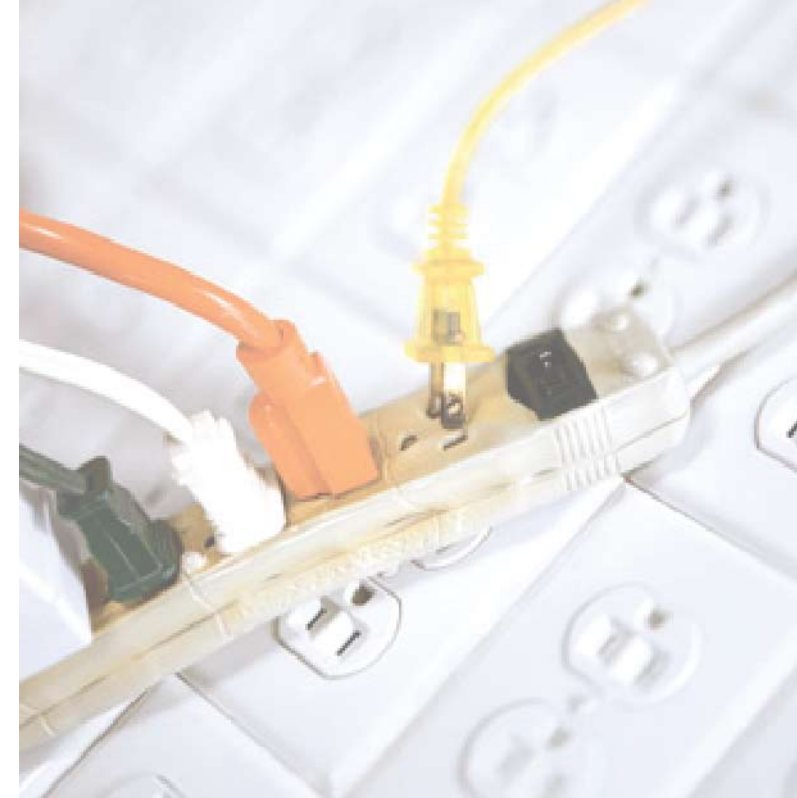
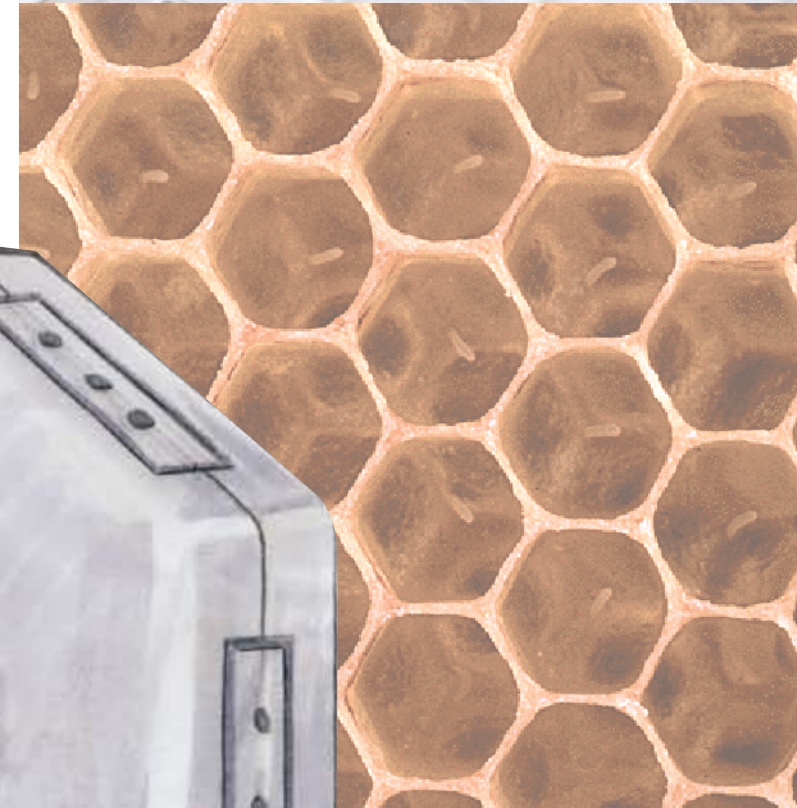
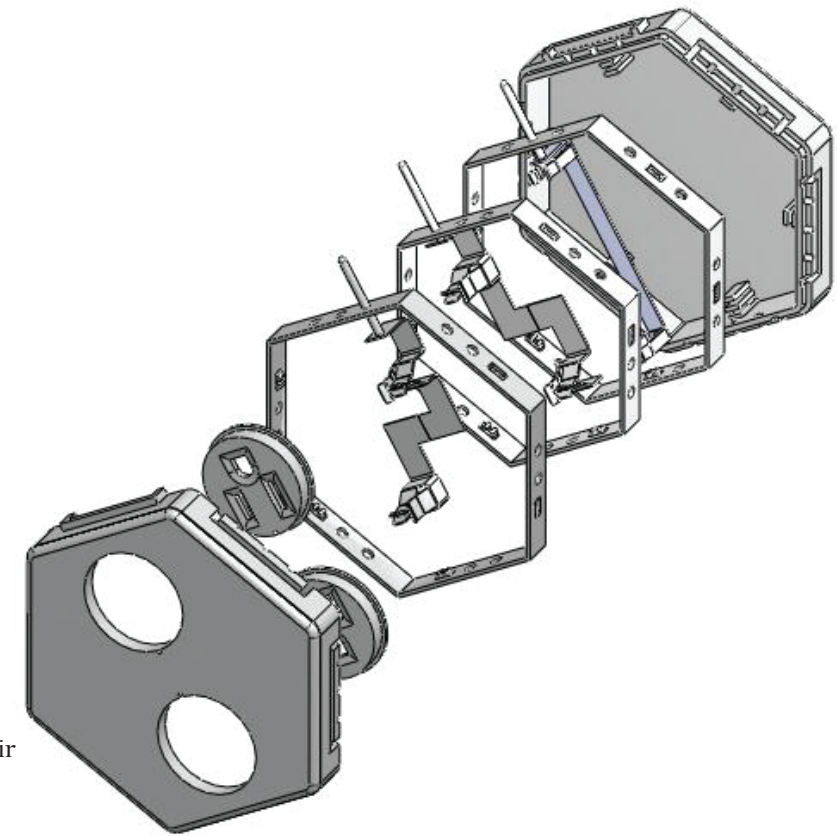


# housewaresdesign



Assignment: Design a consumer houseware  
 Spirit of the Assignment: Must invent or innovate upon a current consumer houseware  
 My Design: A modular powerstrip/surge protector that utilizes an ammeter (power gauge) and a circuit breaker to limit the power usage to a safe level. It also acts as a way for the user to become more aware of their power usage to prevent waste monetarily and, more importantly, environmentally.



Consumer Housewares - Modular Power Strip  
 Junior Year  
 Base and Large Outlet dimensions: 4 x 4 x 1.5 in.  
 Small Outlet: 3 x 3 x 1.5 in.