

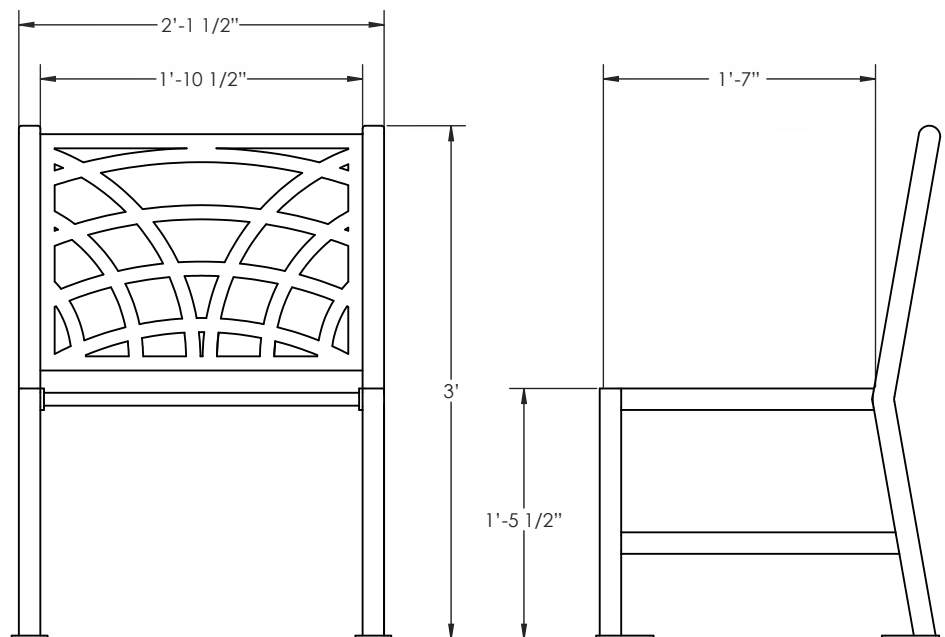


CONTOUR SERIES CHAIR

The LNI Contour Series Chair is ideal for common areas in and around office or municipal buildings. The simplicity and elegance of its' design combined with its' strength and durability makes this the perfect chair for any public space.

Specifications:

- 1/2" Laser Cut Steel Plate (Chair Back)
- 1" Square 11 Gauge Steel Tube (Seat)
- 1/4" Steel Plate (Seat Supports)
- 1 1/2" Square 11 Gauge Steel Tube (Frame & Legs)
- 1/4" Steel Plate (Feet)



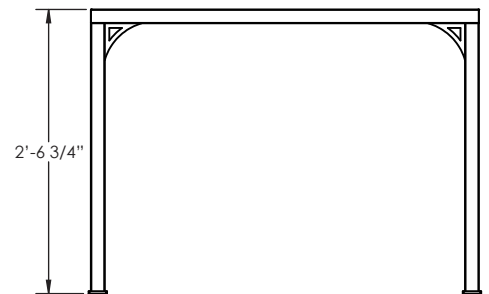
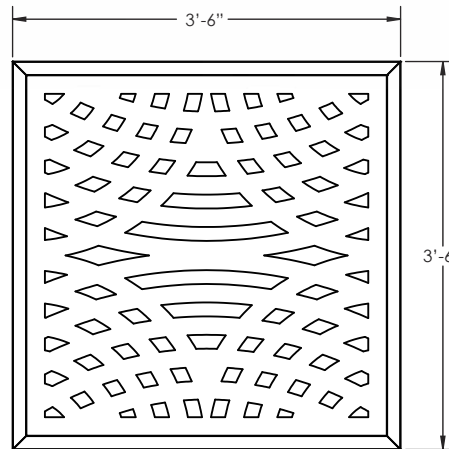


CONTOUR SERIES TABLE

The LNI Contour Series Table is ideal for common areas in and around office or municipal buildings. The simplicity and elegance of its' design combined with its' strength and durability makes this the perfect table for any public space.

Specifications:

- 1/2" Laser Cut Steel Plate (Table Surface)
- 1 1/2" Square 11 Gauge Steel Tube (Frame & Legs)
- 1/4" Steel Plate (Feet)





CONTOUR SERIES TABLE & CHAIRS

