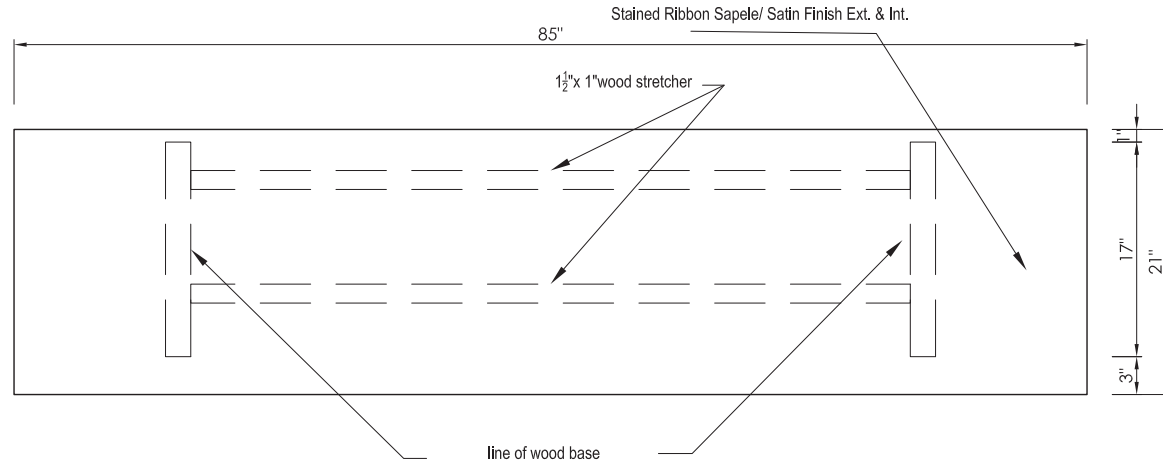


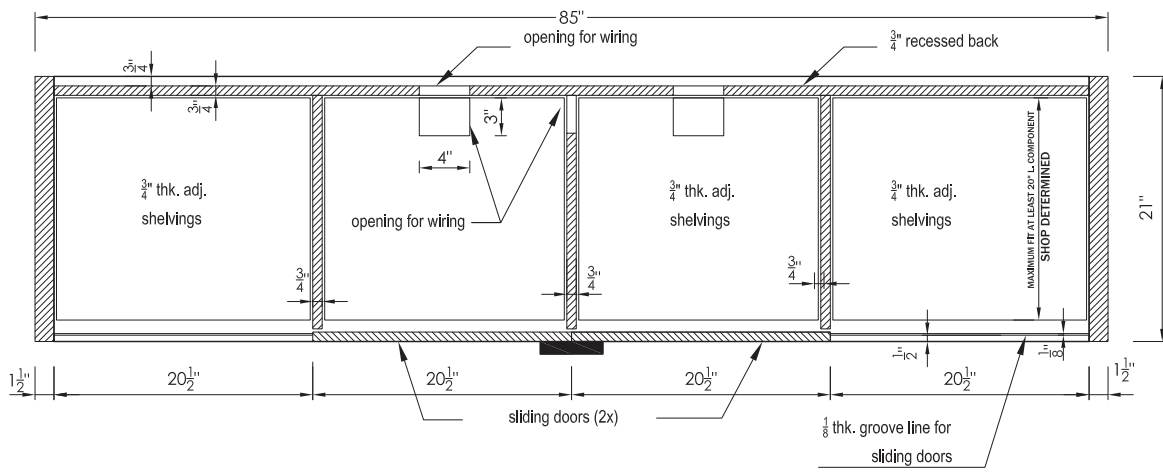


Cassy TingYi Lee

0928.281.182
 cassyleedesign@gmail.com
 cassyleedesign.com



Plan Elevation
 scale: 1 1/2" = 1'-0"



Plan Section
 scale: 1 1/2" = 1'-0"

<p>Cliff Young Ltd. 200 Lexington Avenue Suite 505 New York, New York 10016 P: 212 683.8808 F: 212 683.9286 www.cliffyoungllc.com</p>	<p>Wood Species and Finish: 1. DOORS IN NATURAL EBONY MACASSAR SATIN FINISH. 2. EXT. & INT. IN STAINED RIBBON SAPELE SATIN FINISH. 3. BRUSHED ALUMINUM HANDLES</p>	<p>Designer / Client: Approved Date: / / 2009 Approved by:</p>	<p>Project: Quattro Unit</p> <p>Drawing title: PLAN & ELEVATION</p>	<p>This is signed and approved drawing was received - Date: / / 2009 Scale: 1 1/2" = 1'-0"</p>	<p>Designed by: Annette</p> <p>Drawn by: Cassy</p> <p>Checked by:</p>	<p>Drawing Issue Date: 12 / 22 / 2009 Drawing No.: 1 of 2</p>
--	---	--	---	--	---	---

Cliff Young
 TV unit