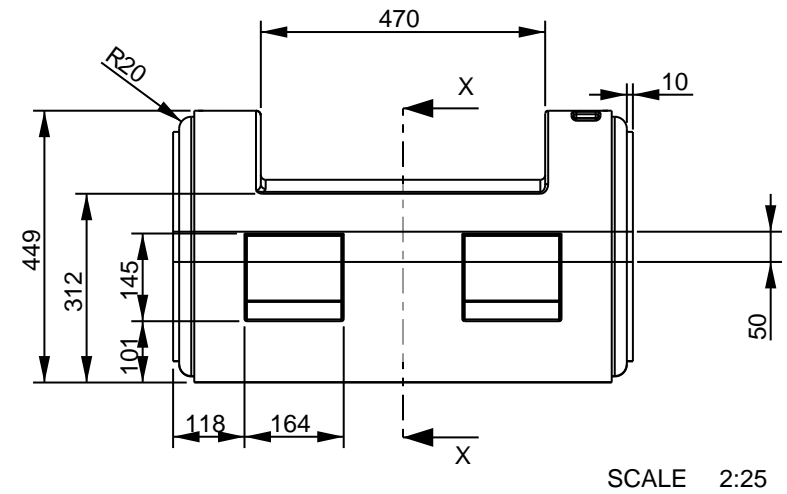
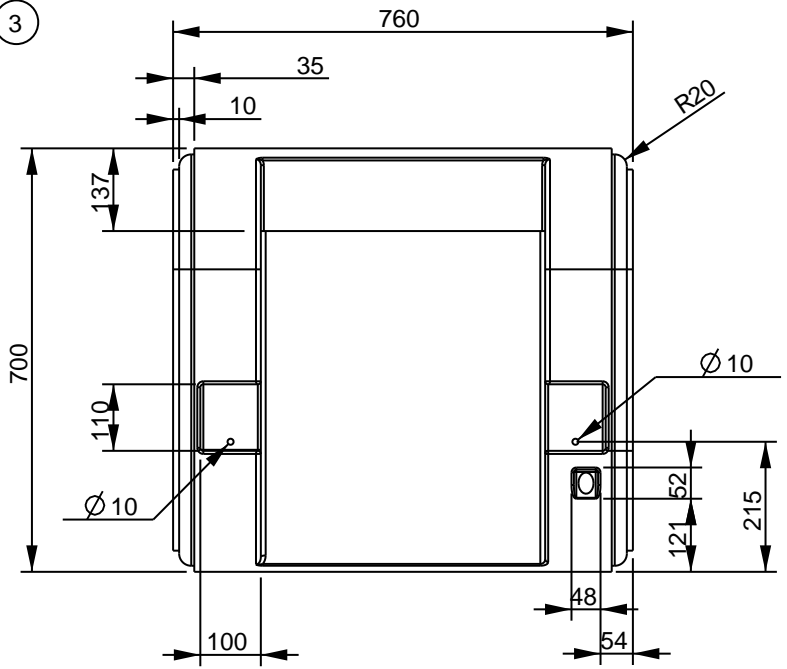
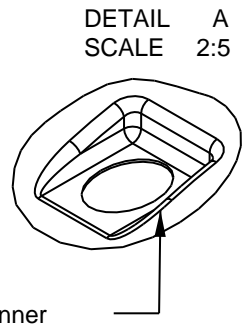


3

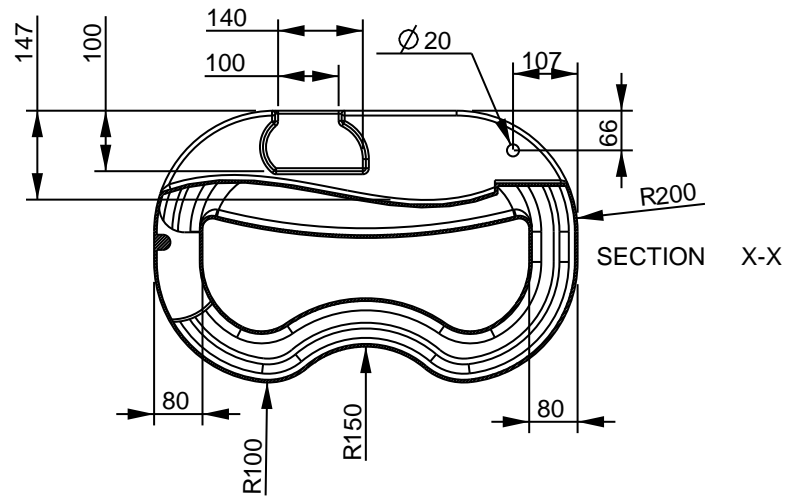
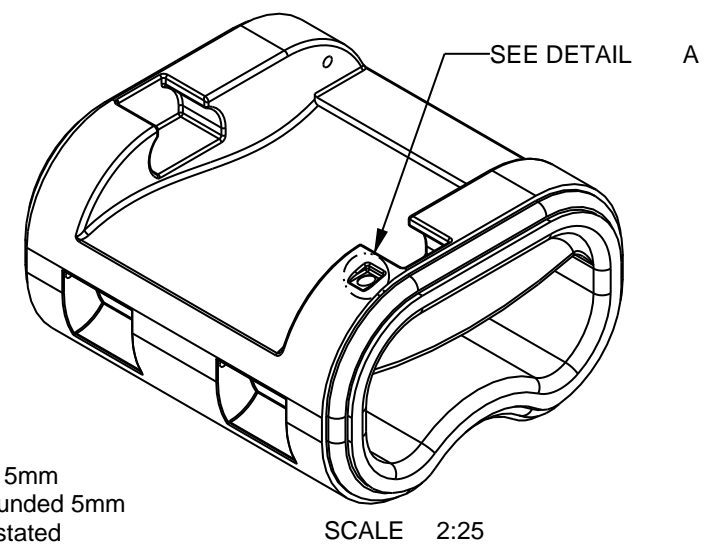


SCALE 2:25



Thumbprint Scanner

Note:  
 Wall Thickness of 5mm  
 All edges to be rounded 5mm  
 unless otherwise stated



|                           |             |                      |                    |                      |               |            |
|---------------------------|-------------|----------------------|--------------------|----------------------|---------------|------------|
| TITLE: Exterior Structure |             |                      | DRAWN: Zachary Tan |                      |               | TOL.: ±0.5 |
| DR.No.: ES03              | SCALE: 2:25 | MAT'L: Polycarbonate | UNIT: mm           | NGEE ANN POLYTECHNIC | DATE: 24/1/11 |            |