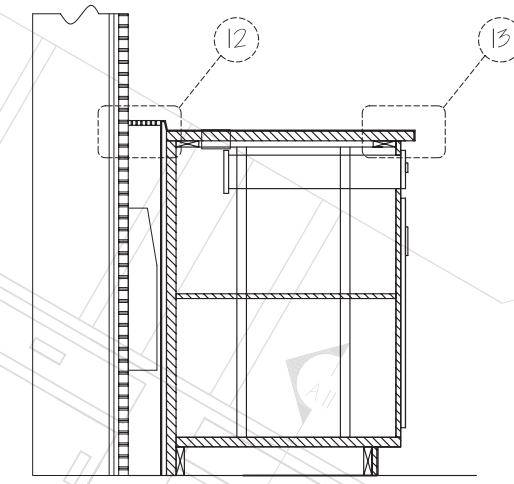
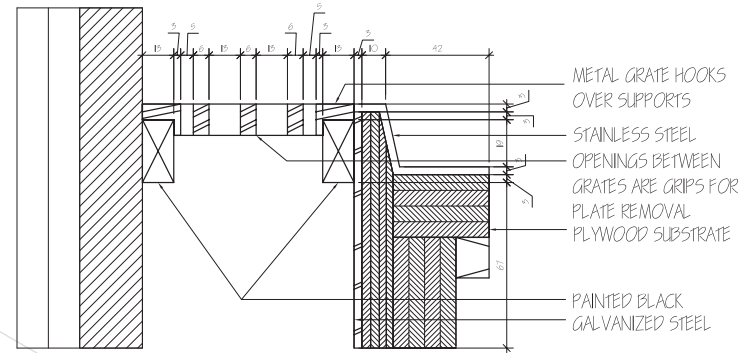


## cad details

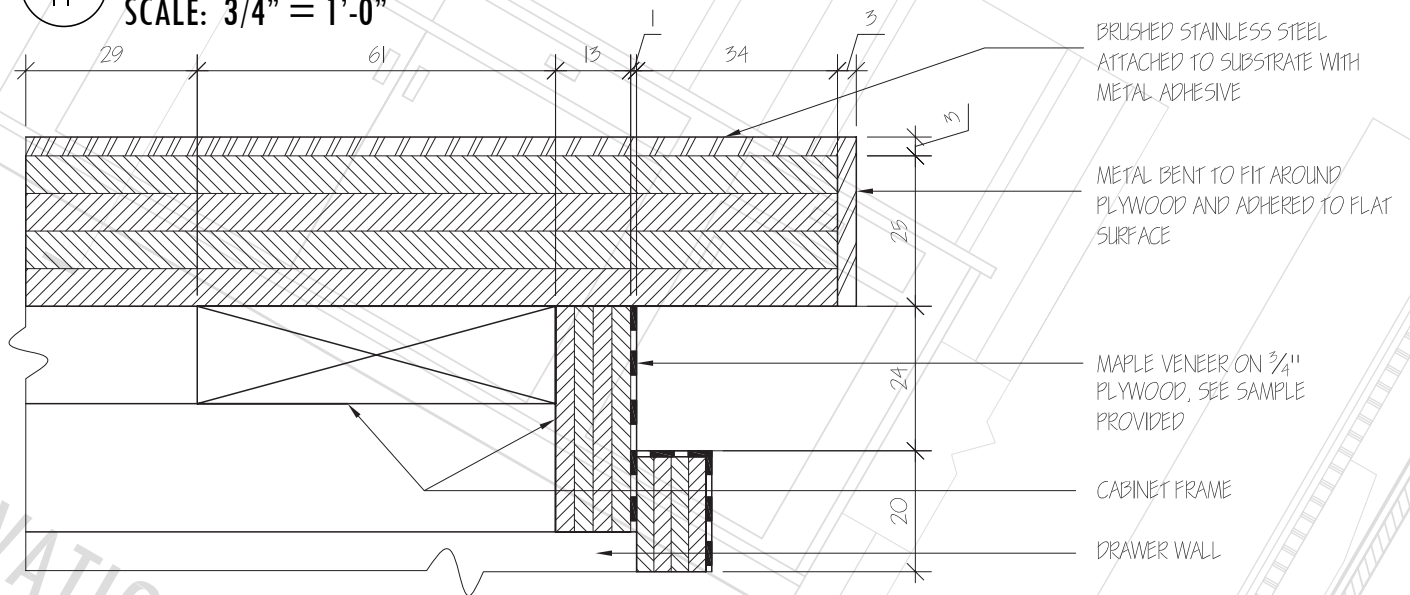
examples of details completed in Auto CAD taken from a Construction Documents course. Details of a credenza for an office.



11 **CREDENZA SECTION**  
SCALE: 3/4" = 1'-0"



12 **CREDENZA HVAC DETAIL**  
SCALE: 1:2



13 **CREDENZA EDGE DETAIL**  
SCALE: 1:1

technical