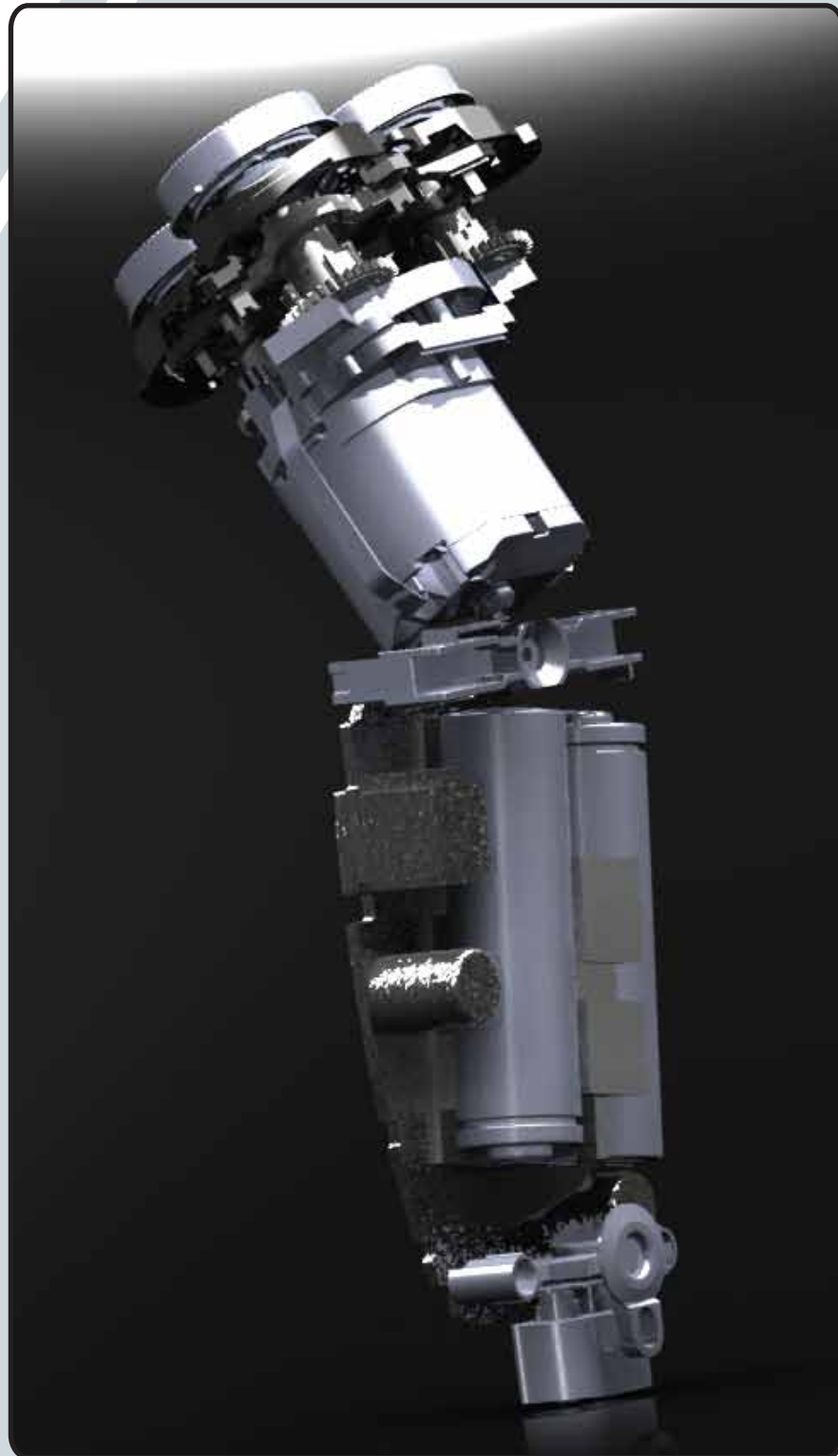
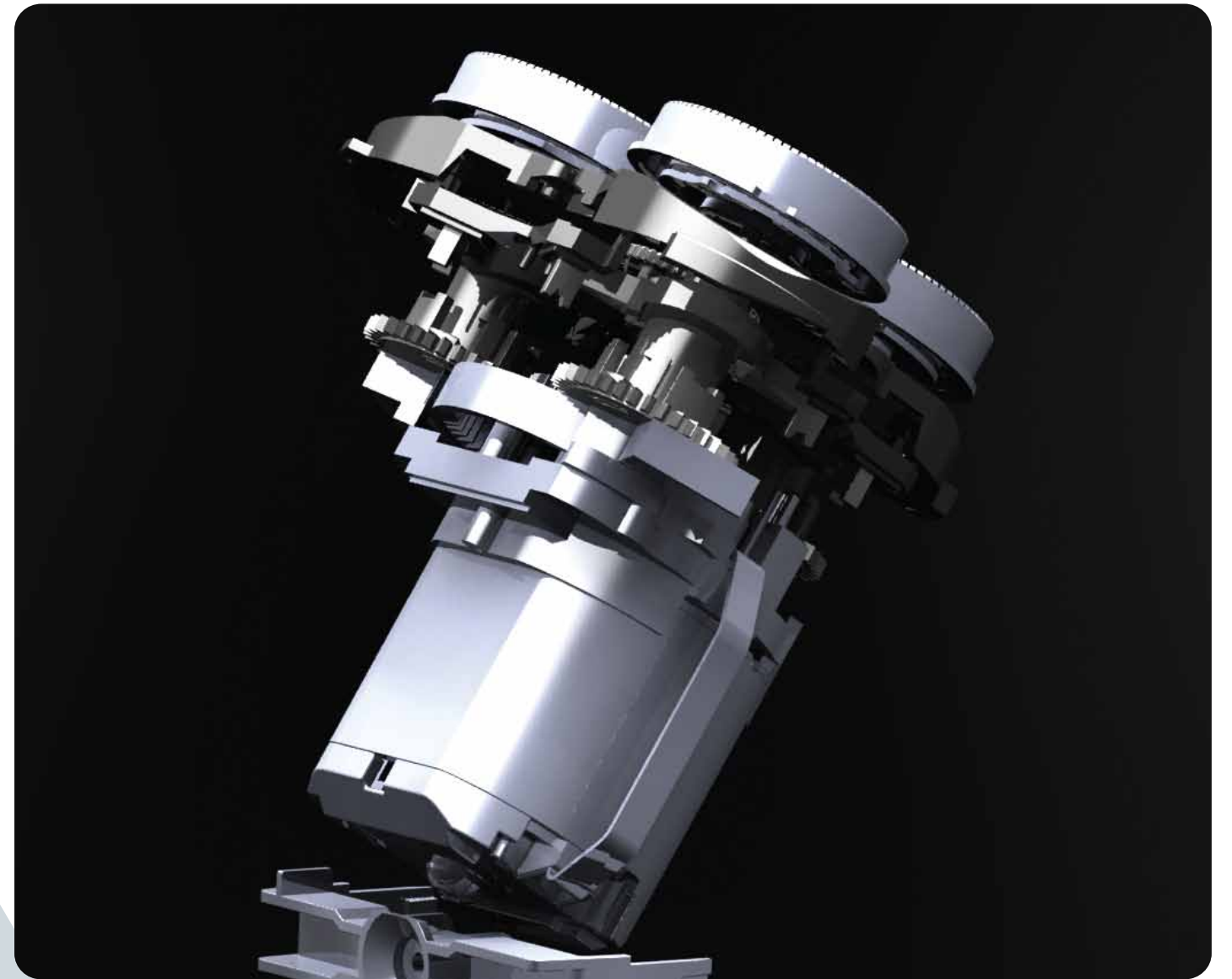
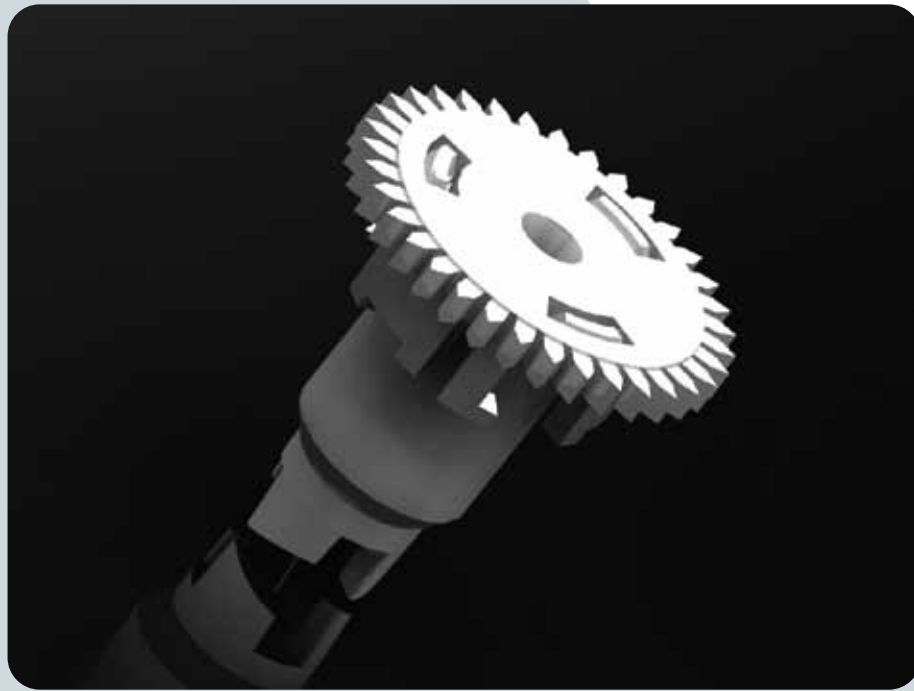


The Norelco Electric Shaver



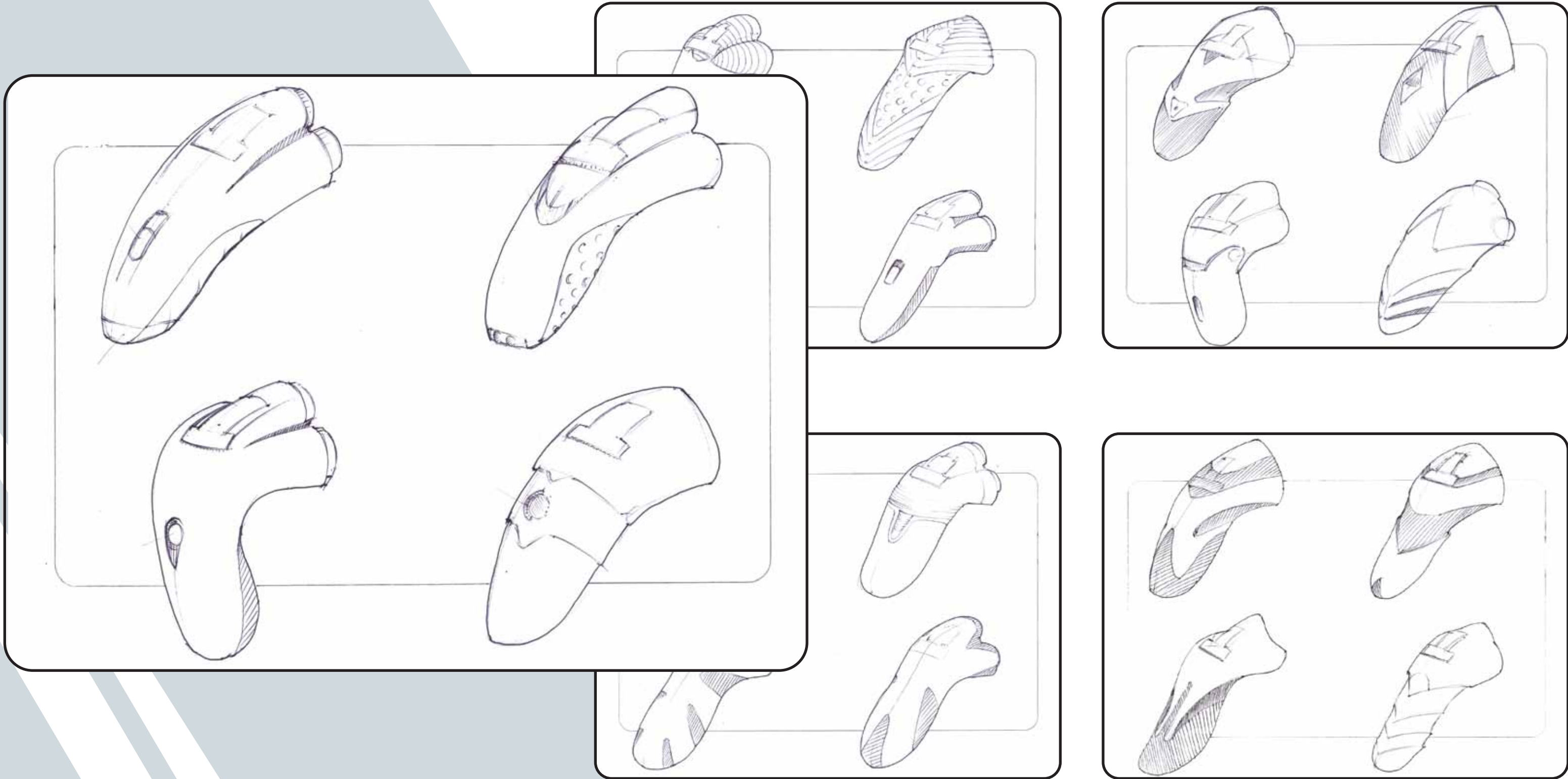
The objective of this project was to redesign the plastic casing of the shavers internal components to a more modern look as a team. Before the shaver casing designing was started the team was to first fully measure the internal components.



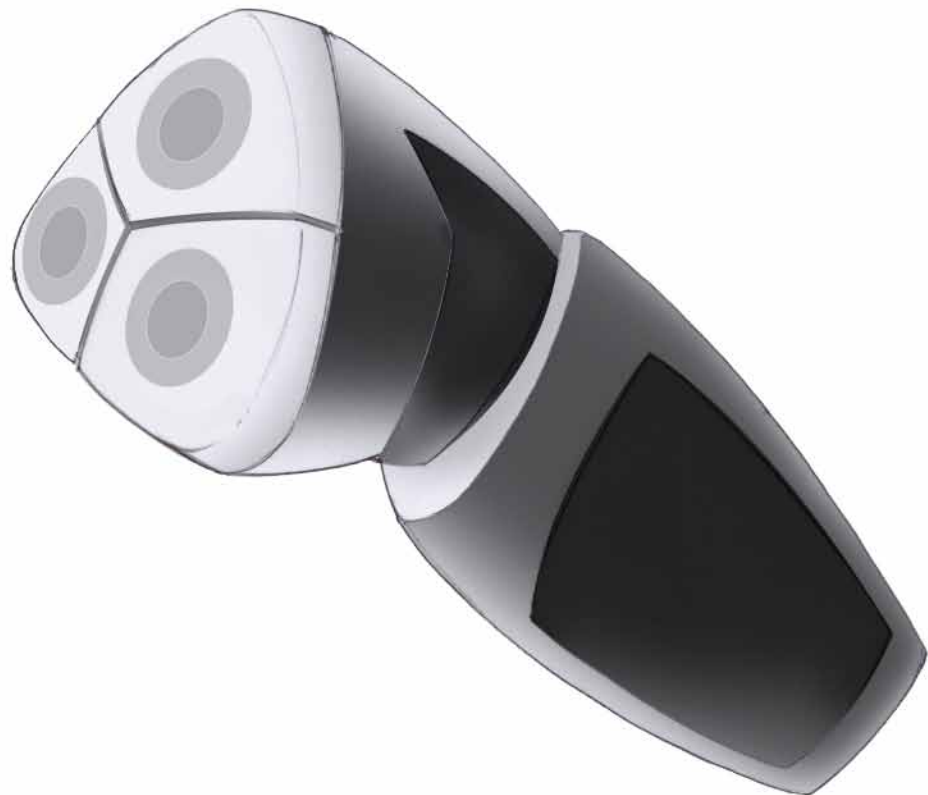


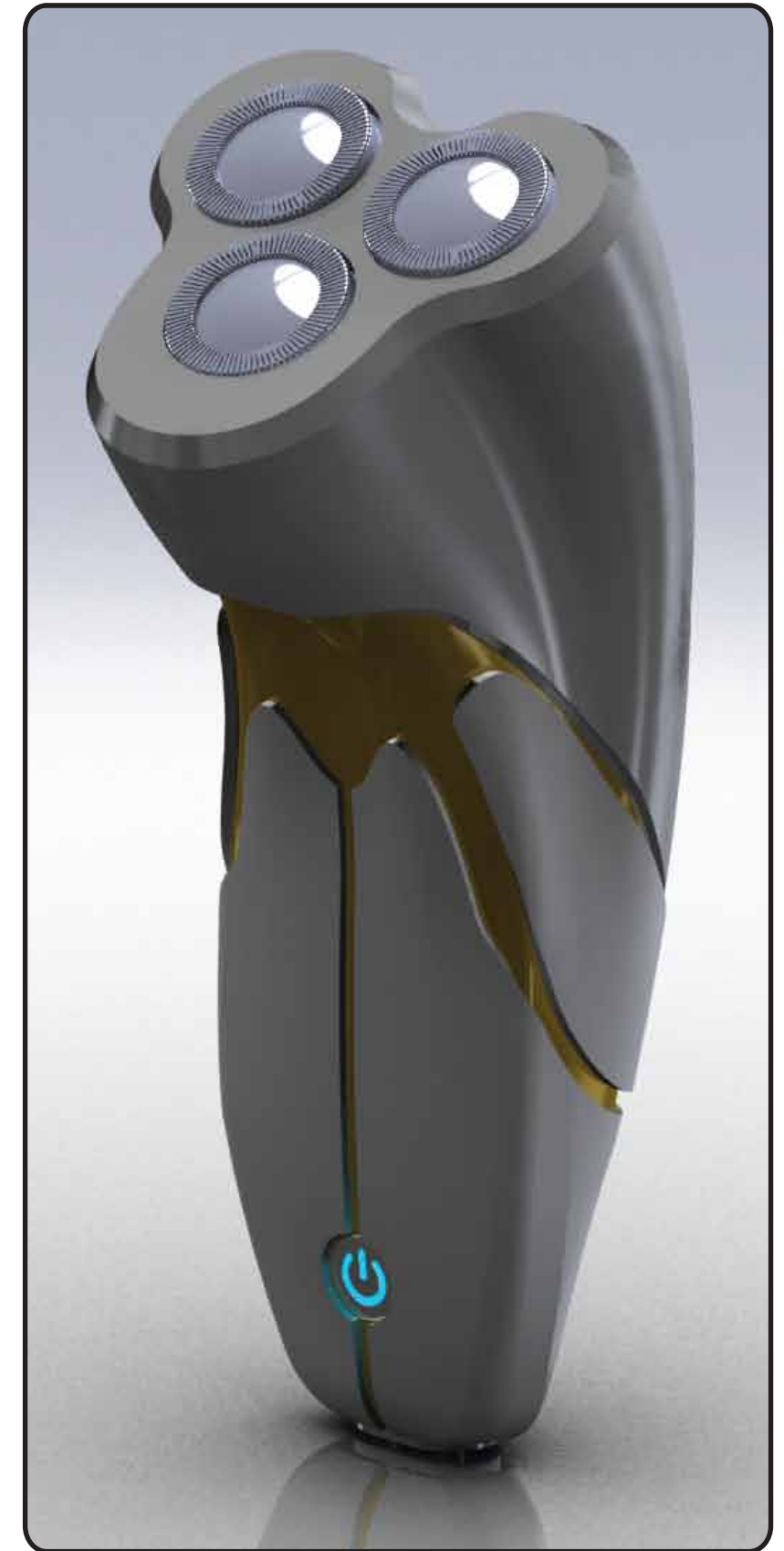
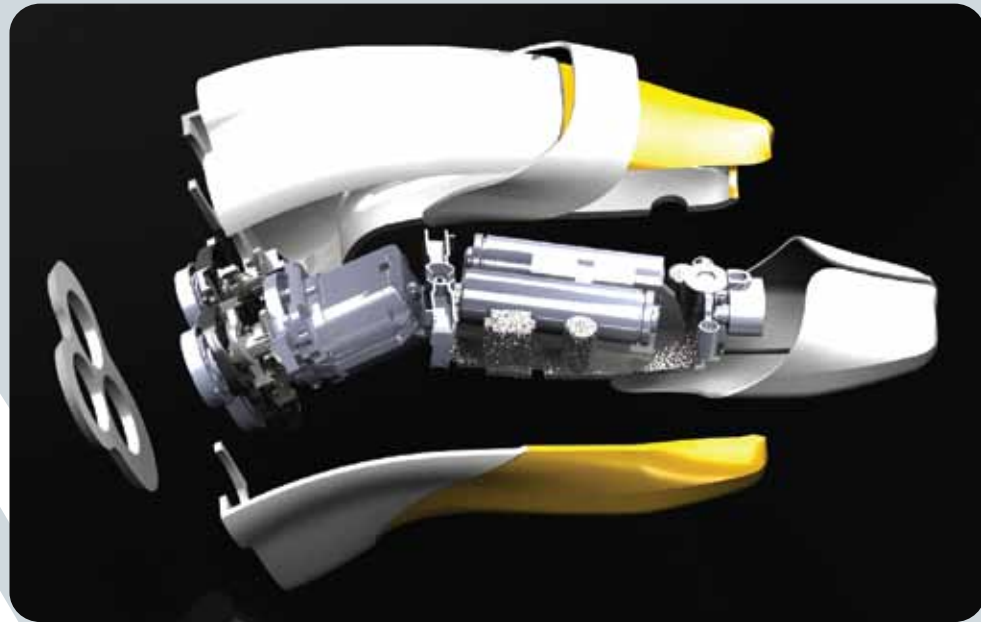
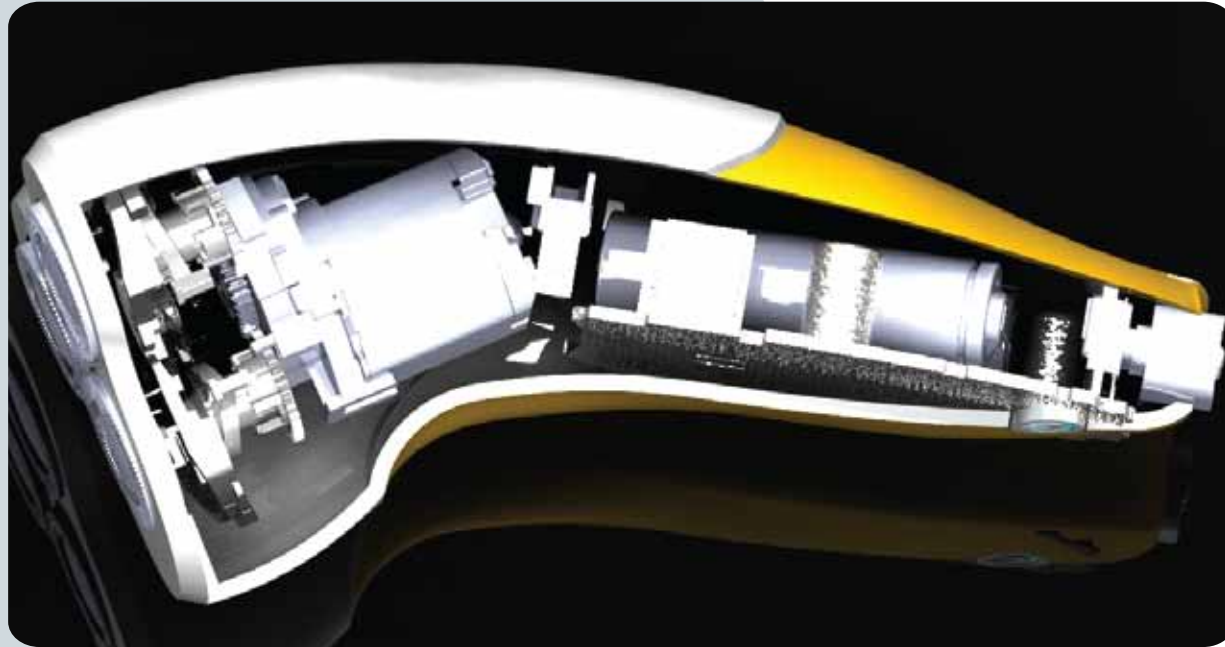
Reverse Engineering





Research & Ideation





Solidworks