

Next Wave Microwave.

Research

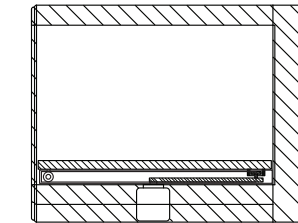


designed the tray to eject so as to make it easier to load and unload

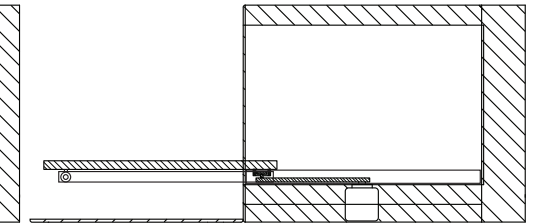


Cross section of door mechanism.

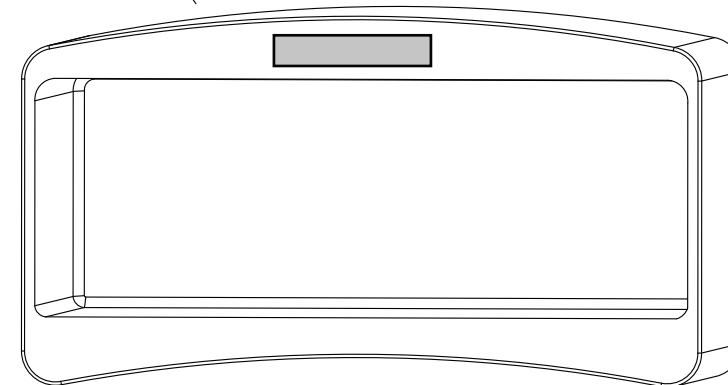
SIDE VIEW Closed:



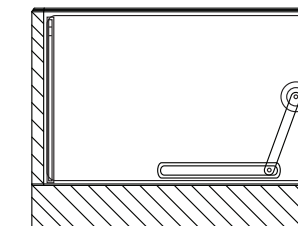
SIDE VIEW Open:



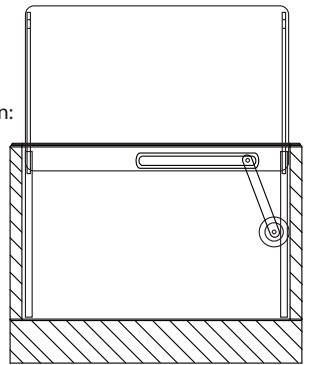
Moved the control section to make more room for the cavity



TOP VIEW Closed:



TOP VIEW Open:



7,14,28 test shows steps eliminated or changed due to the new design features.



Option of having another microwave that can work together as one unit to cook more than one type of food at the same time and comes with a convection unit.



1. Open door
2. Put food in
3. Close door
4. Enter time
5. Open microwave
6. Take out food
7. Close microwave

1. Select food
2. Cover food
3. Open microwave
4. Put food in
5. Close microwave
6. Enter time
7. Press start
8. Wait
9. Open microwave
10. Test food
11. Take out food
12. Close microwave
13. Uncover food
14. Enjoy

1. Take out food
2. Put food in a microwave safe container
3. Cover food
4. Open microwave
5. Put food in
6. Close microwave
7. Select cook preference
8. Enter time
9. Enter power
10. Push start
11. Wait
12. Watch food
13. Food beeps when finished
14. Hit stop
15. Open microwave
16. Take out mitts
17. Reach into microwave
18. Grab dish
19. Put food down
20. Close microwave
21. Remove cover
22. Stir food
23. Check food
24. Repeat if necessary
25. Put food on serving dish
26. Put dirty dish in sink
27. Take out utensils
28. Eat

Tasks we have changes