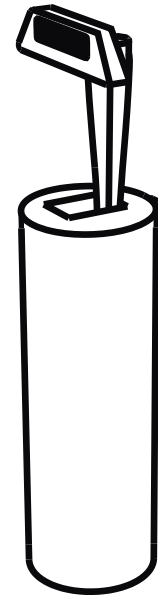
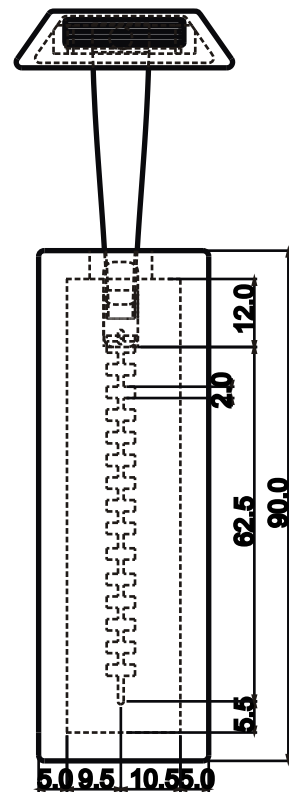


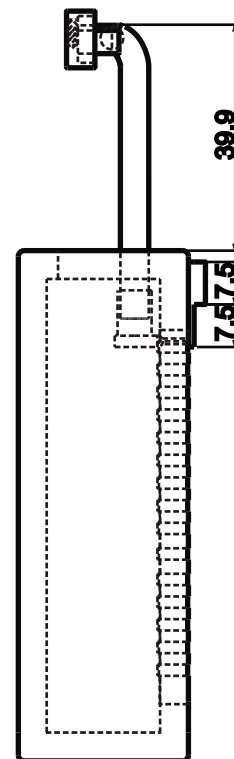
Top View



Perspective View



Front View



Side View

Product: Slidor

Designer: Janette Tong

Class: Design 402

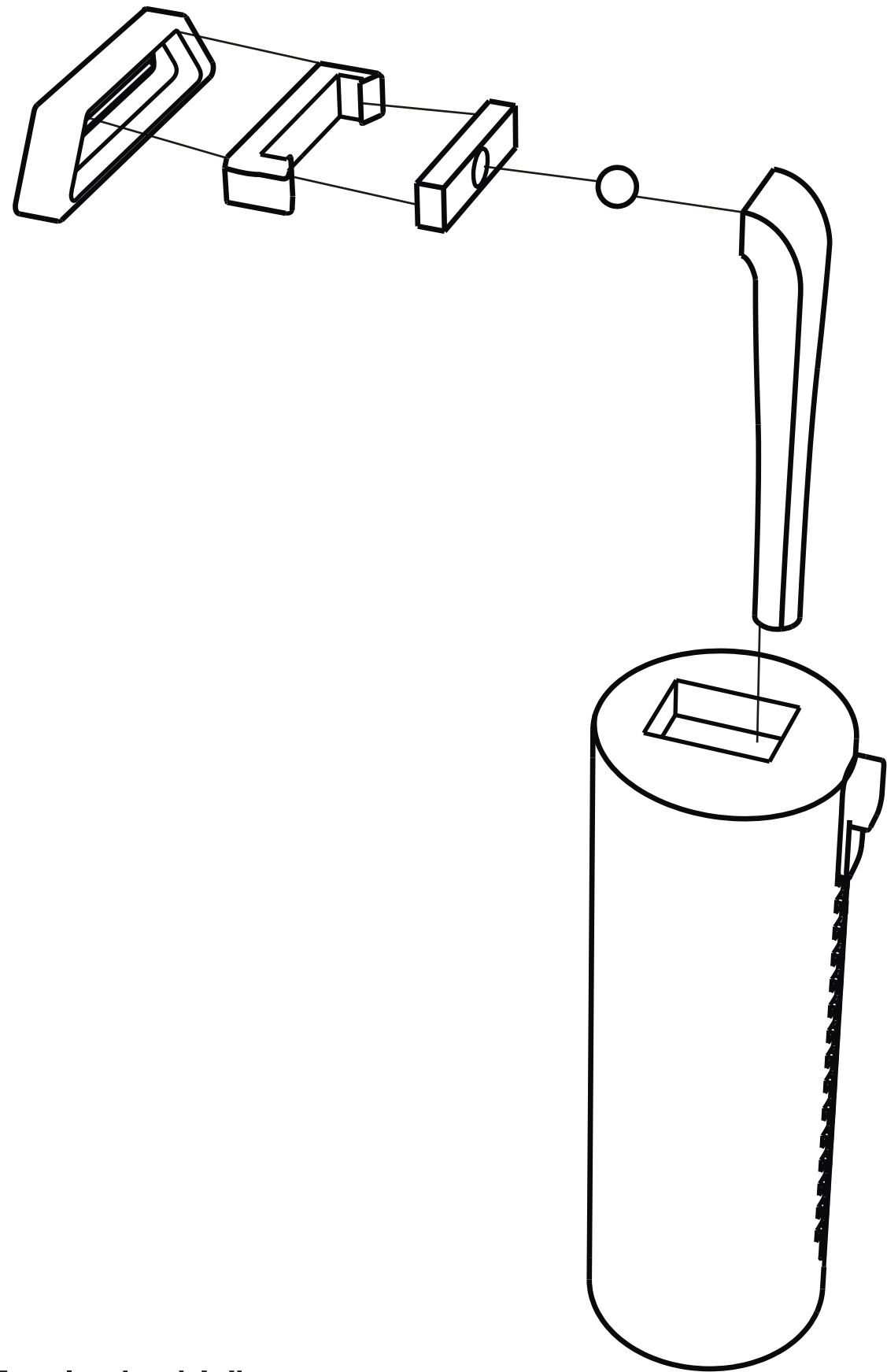
Date: December 5, 2008

Orthographs

Page: 1 of 5

Scale: 1:0.75

Units: mm



Exploded View

Product: Slidor

Designer: Janette Tong

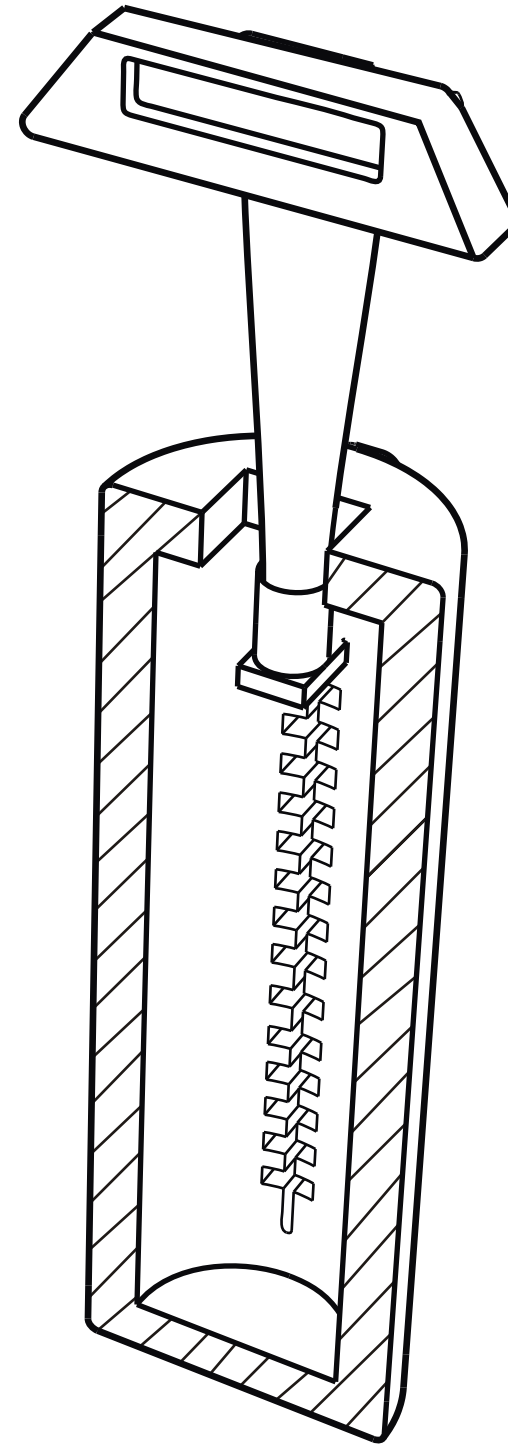
Class: Design 402

Date: December 5, 2008

Exploded View

Page: 2 of 5

- \* This shows the inside of the tube
- \* The tube is cut exactly in half



Cross-sectional View

Product: Slidor

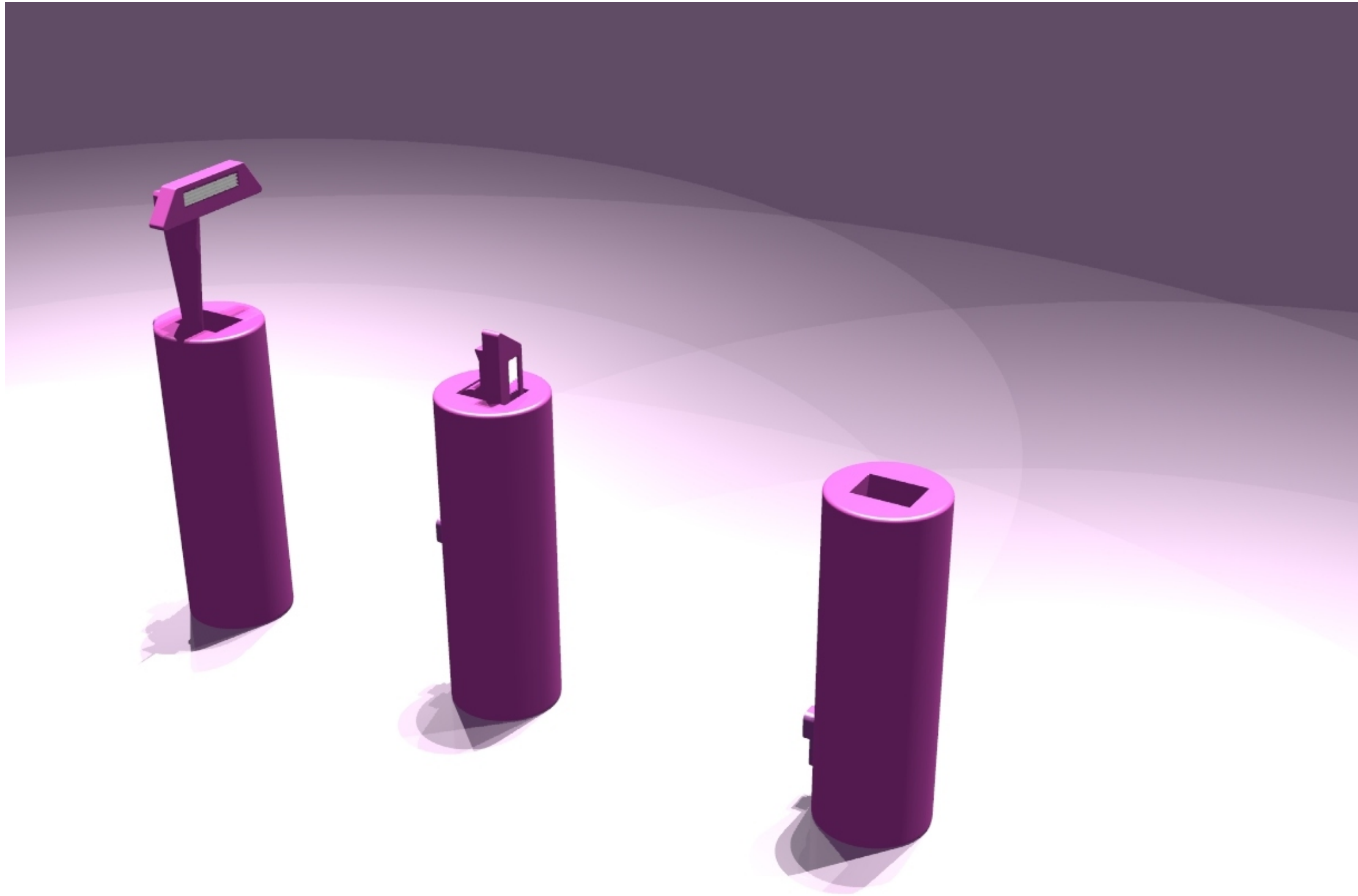
Designer: Janette Tong

Class: Design 402

Date: December 5, 2008

Cross section

Page: 3 of 5



Product: Slidor

Designer: Janette Tong

Class: Design 402

Date: December 5, 2008

Render

Page:4 of 5



*portable*



*invisible*



# Slidor



*Janette Tong Des 402*

Product: Slidor

Designer: Janette Tong

Class: Design 402

Date: December 5, 2008

Poster

Page: 5 of 5