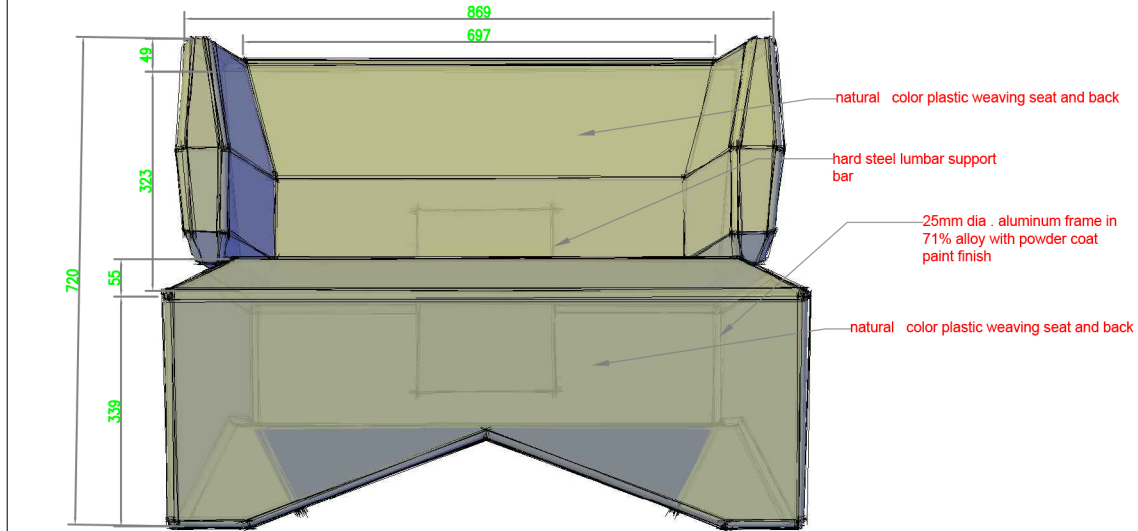
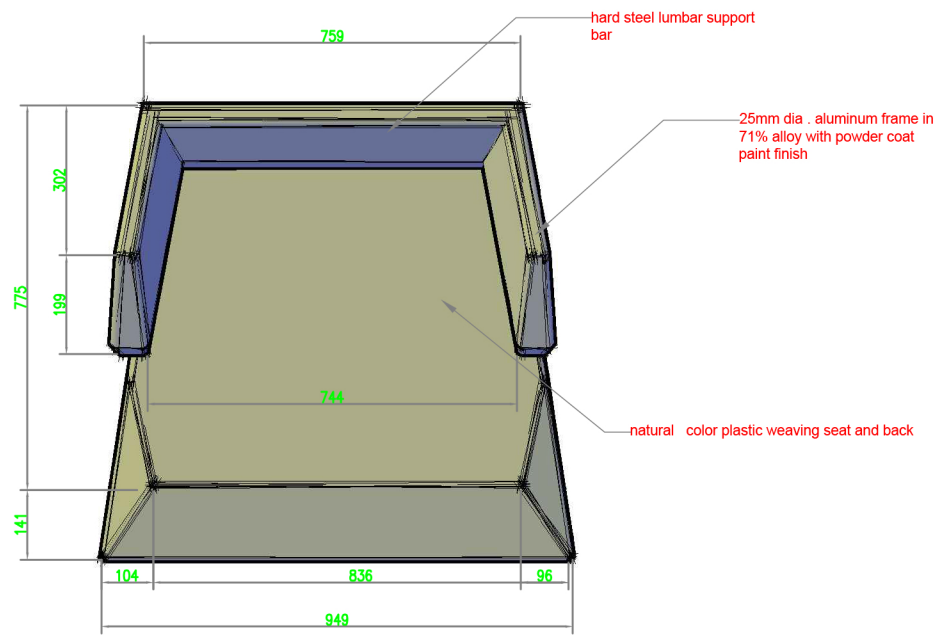


**Note / Legends**

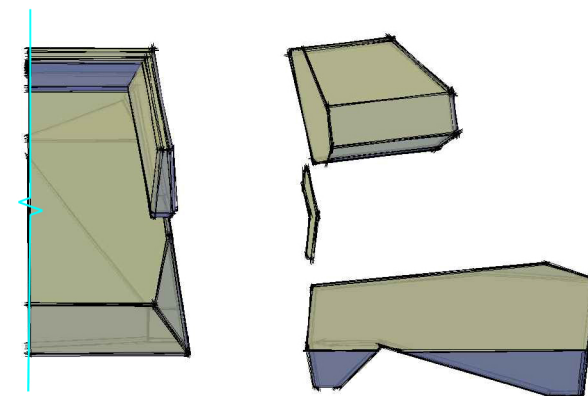
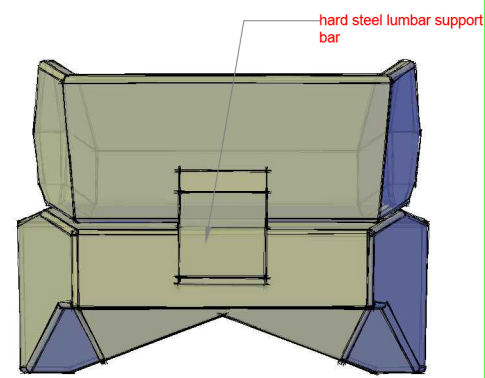


01 BASE PLAN VIEW



02 FRONT ELEVATION

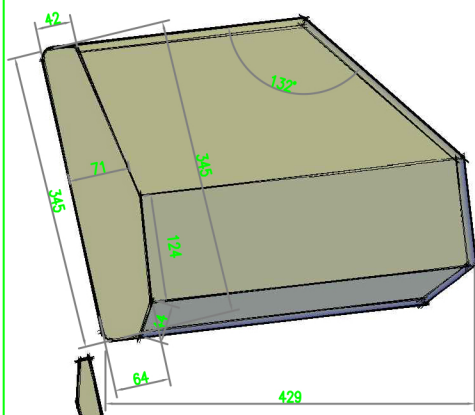
06 BLOW-UP DETAIL



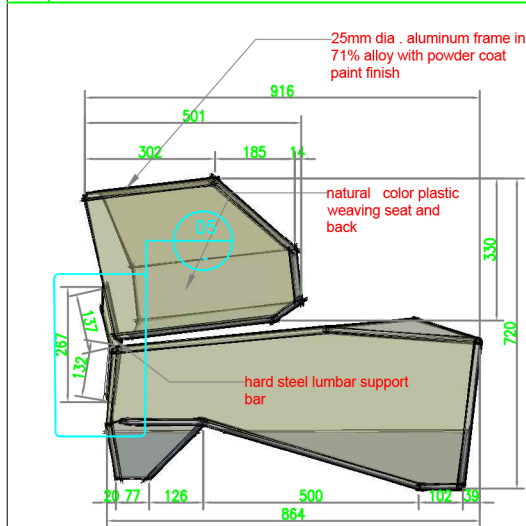
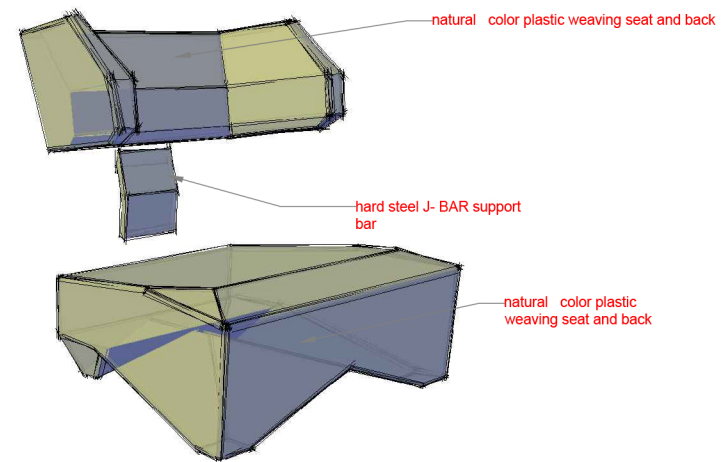
08 BLOW-UP DETAIL

05 BLOW-UP DETAIL

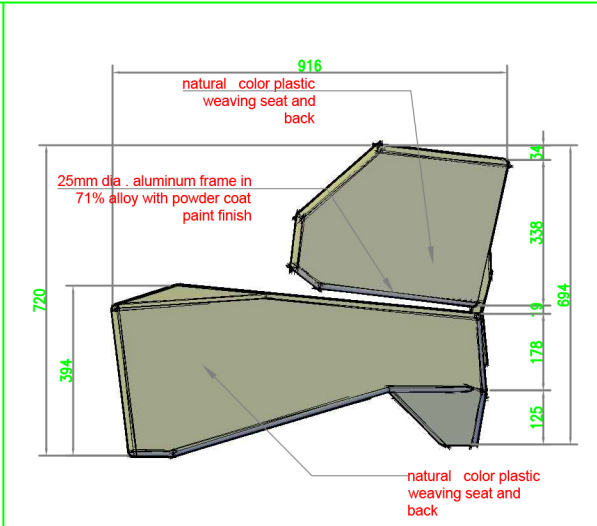
SCALE: 1 : 1



07 EXPLODED DRAWING



03 LEFT SIDE ELEVATION



04 LEFT SIDE ELEVATION

05			00.00.09
04			00.00.09
03			00.00.09
02			00.00.09
01			00.00.09
No.	Revision	By.	Date.

Project Title/Client

CLIENT

Cebu Philippines

Designed & Produced By

Drawing Title

CLUNKY LOUNGE CHAIR  
IL-LC-0908-07

Designed By:	Sheet #	Scale:
---	02/02	A1 = 1/1

Drawing #	Rev. #	Date:
00000-00	00	00.00.09

**COPYRIGHT NOTICE**

THIS DRAWING AND ANY REVISION THEREOF IS PROPERTY OF IMAGINARY LINE. THE USE, REPRODUCTION OR DISCLOSURE TO ANY THIRD PARTY IS PROHIBITED WITHOUT PRIOR WRITTEN CONSENT OR PERMISSION OF IMAGINARY LINE, CEBU PHILIPPINES.