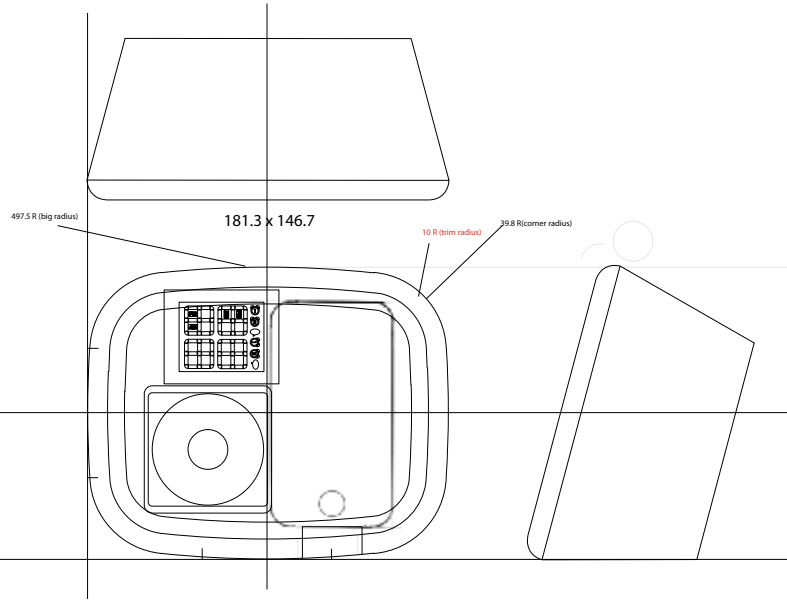




Model by colleague Jon Hart



GO TIME APP

