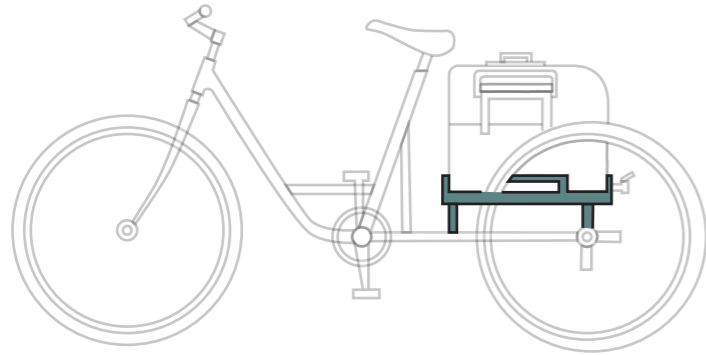


Parts, materials and process



PART

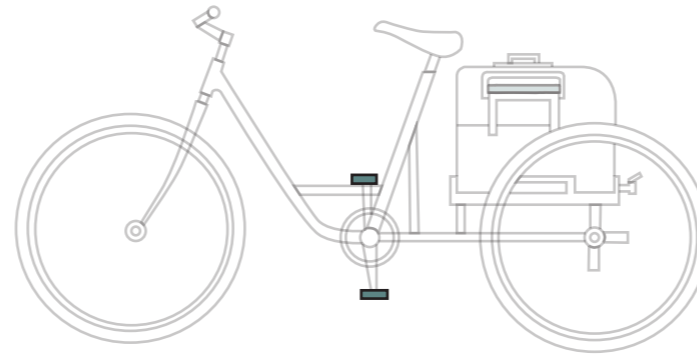
Frame support for water container

MATERIAL

Alloy steel

PROCESS

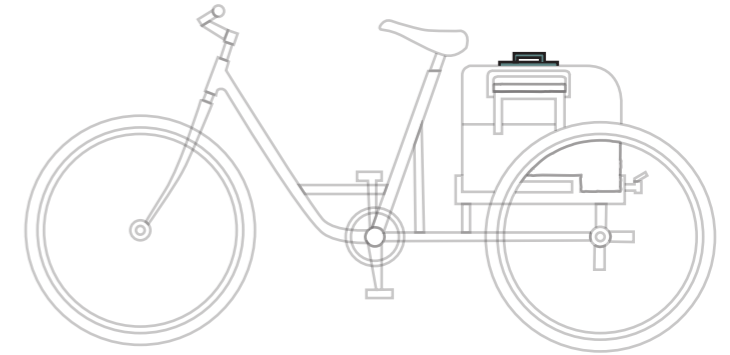
Extrusion bending and brazing



Pedal

Polypropylene

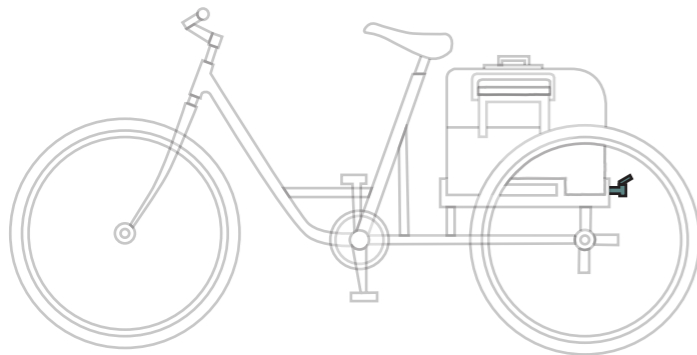
Injection machine



Lid

Polypropylene

Injection molding



PART

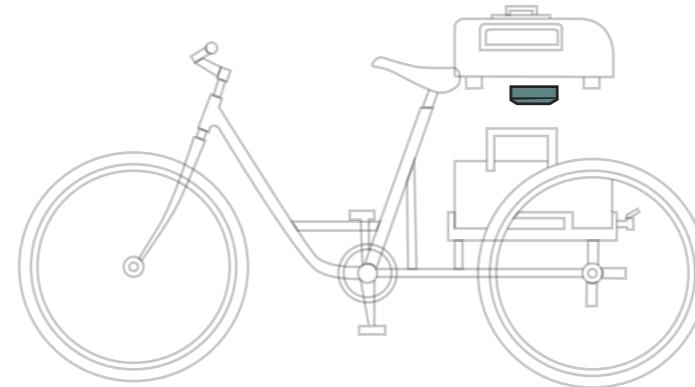
Tap

MATERIAL

Polypropylene

PROCESS

Injection polishing assembly



Water filter

Polypropylene

Injection molding



16l plastic container for water collection and storage

Food grade PETG material

Blow moldind

Research

Development

Final

Engineering

Ergonomics