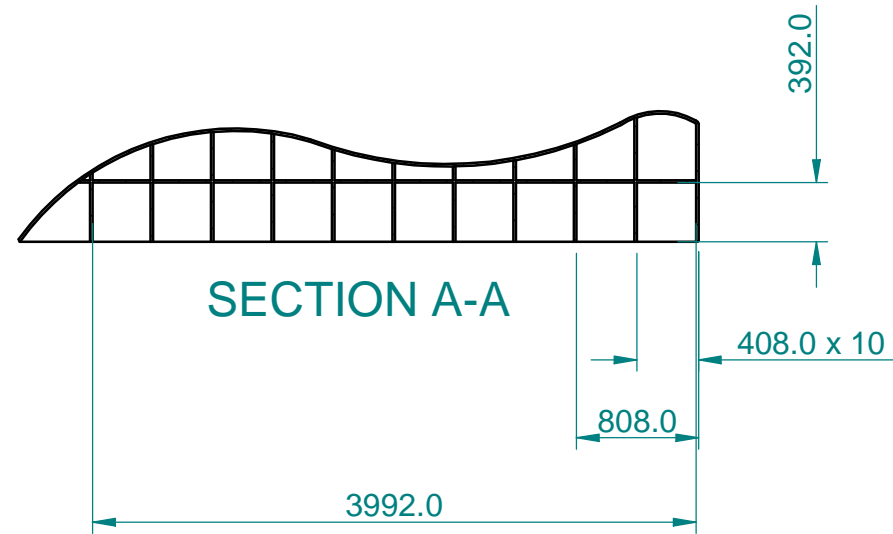
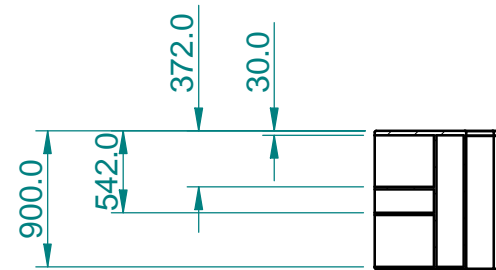
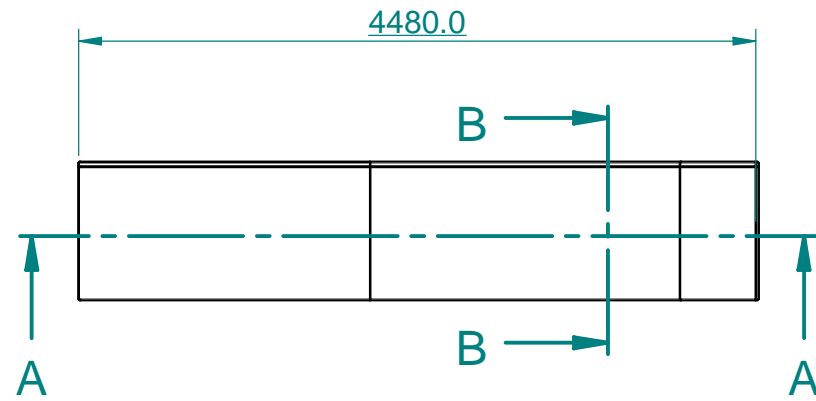
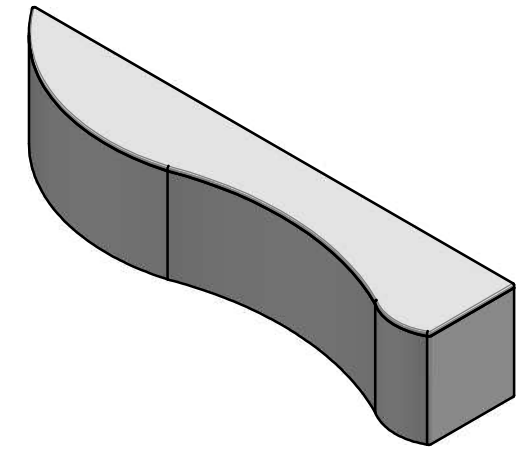


DO NOT SCALE

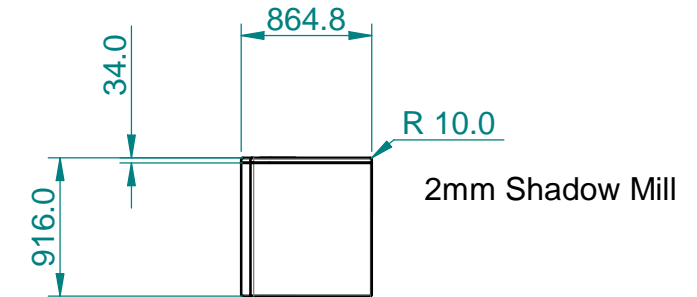
REVISIONS			
SYM	DESCRIPTION	DATE	APPD



Adjustable Shelving

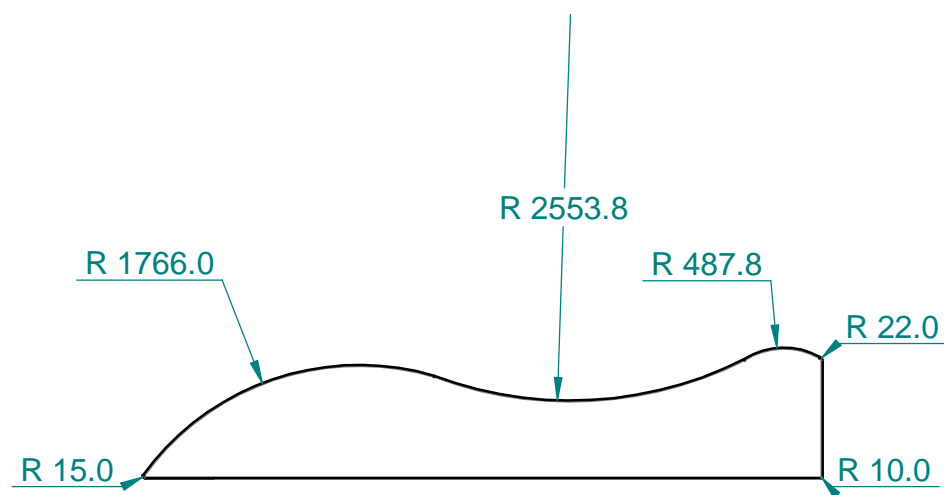


SECTION B-B



R 10.0

2mm Shadow Mill



Common wall thickness: 16mm
Unless specified

SOLID EDGE ACADEMIC COPY

UNLESS OTHERWISE STATED ALL DIMENSIONS IN mm.		DRN 24/3/10	COMPANY	
		CKD	Artstarter	
TOLERANCES LINEAR: 0.1 ANGULAR: 0.1	MATERIAL Laminate	APPD	TITLE	
		ISSUED	Front Counter Carcass	
DRAFTING STANDARD AS 1100	FINISH Front curves = steel finish Top = White laminate	SIZE A3	ISSUE A	DRG. No. 2410 - 001
		SCALE 1:50	SHEET 1 of 8	