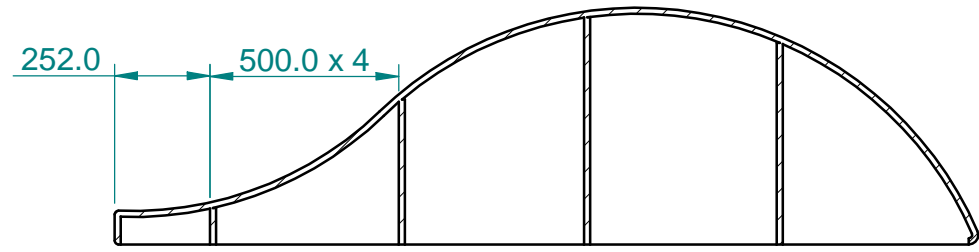
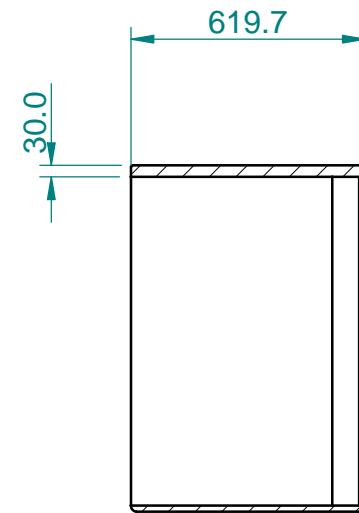
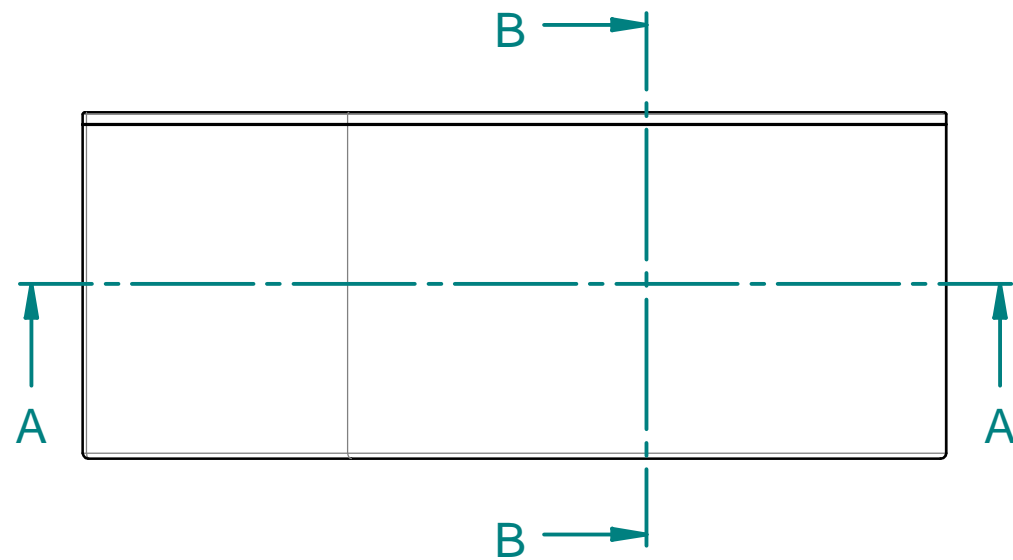
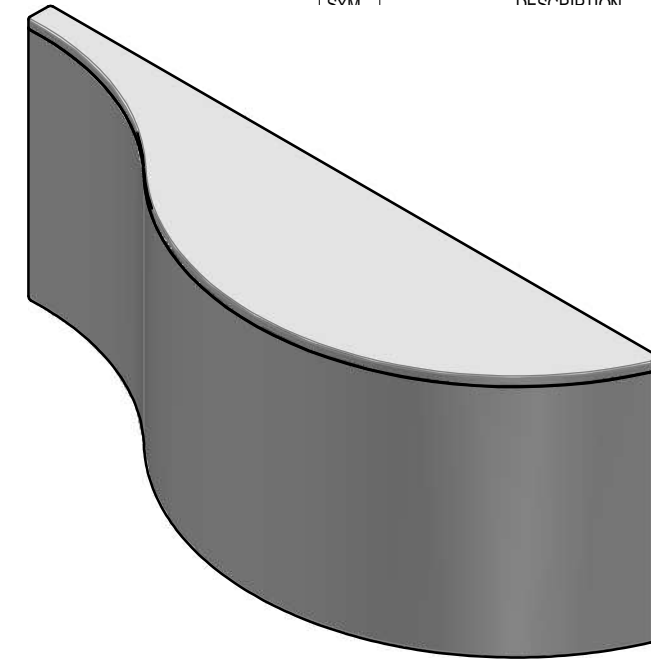


DO NOT SCALE

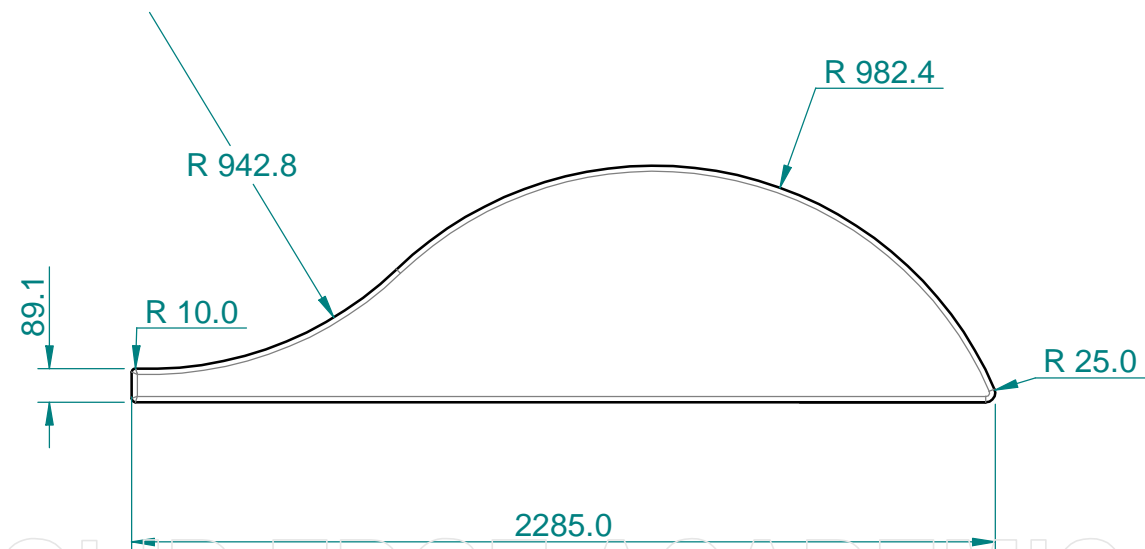
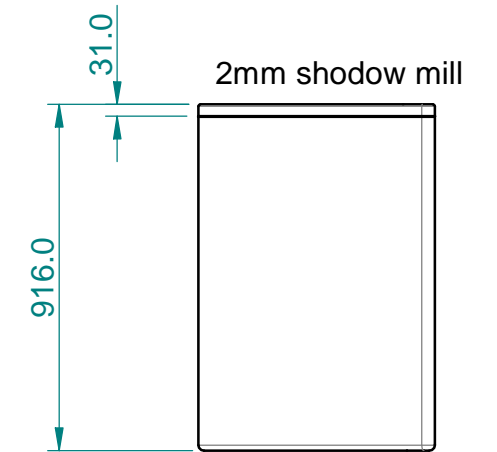
REVISIONS			
NO.	DESCRIPTION	DATE	APPD



SECTION A-A



SECTION B-B



SECTION A-A

Common wall thickness: 16mm  
Unless specified

SOLID EDGE ACADEMIC COPY

UNLESS OTHERWISE STATED ALL DIMENSIONS IN mm.		DRN 24/3/10	COMPANY	
		CKD	Artstarter	
TOLERANCES LINEAR: 0.1 ANGULAR: 0.1	MATERIAL  Laminate	APPD	TITLE	
		ISSUED	Service Counter carcass	
DRAFTING STANDARD AS 1100	FINISH Front curves = steel finish Top = White laminate	SIZE A3	ISSUE A	DRG. No. 2410 - 005
		SCALE 1:20	SHEET 5 of 8	