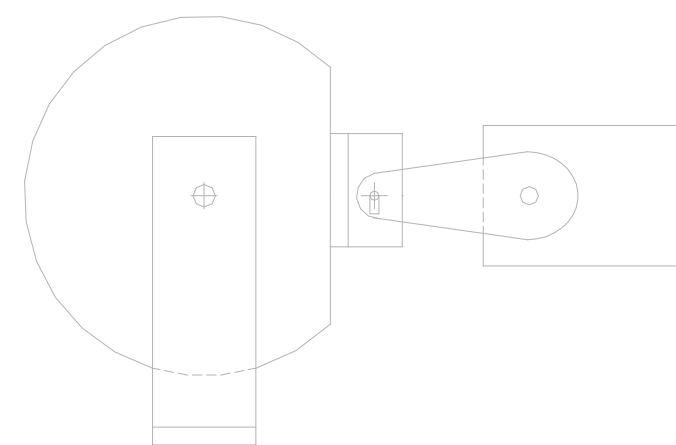
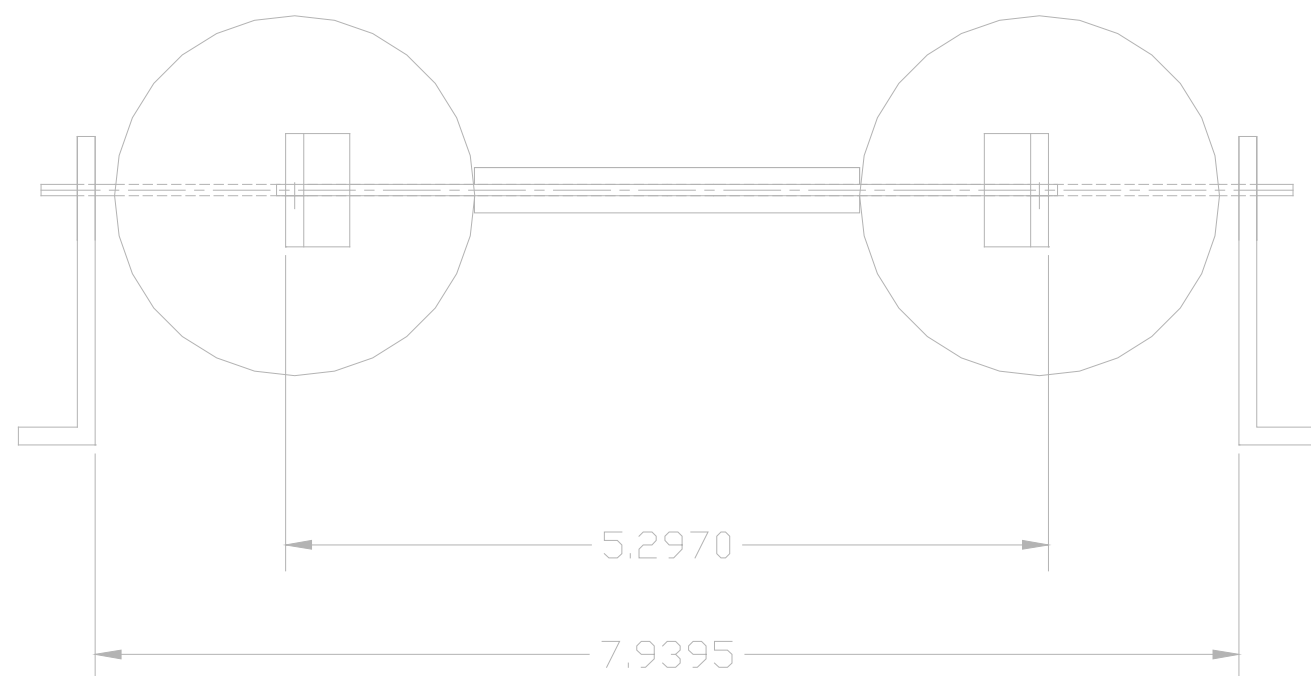
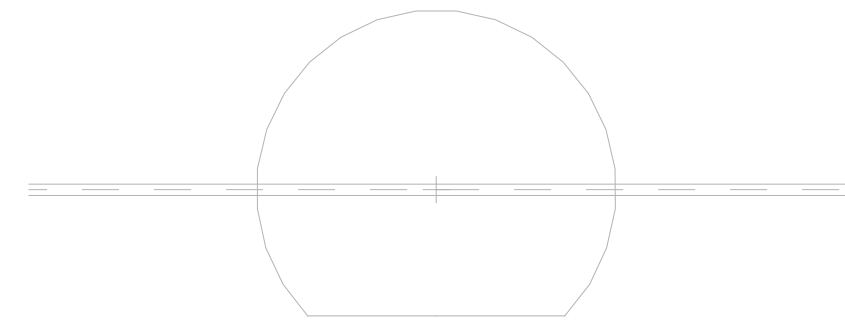


Spacer to place eyes perfectly on rod



Drafted by KARINA KOCH		
Filename EYE MECHANISM	Date SUMMER 2009	Scale INCHES
EYE MECHANISM DRAFTING DESIGNED FOR ANIMATRONIC MOVEMENT: WHITELEAF		
DWG #6	ED 2	Sheet ANSI C