



US00D486788S

(12) **United States Design Patent**  
**Riede**

(10) Patent No.: **US D486,788 S**  
(45) Date of Patent: **\*\* Feb. 17, 2004**

- (54) **CONVERTIBLE TELEPHONE CHARGER**
- (75) Inventor: **Steven J. Riede, Long Beach, CA (US)**
- (73) Assignee: **Magnadyne Corporation, Compton, CA (US)**
- (\*\*) Term: **14 Years**

- (21) Appl. No.: **29/179,616**
- (22) Filed: **Apr. 11, 2003**
- (51) **LOC (7) Cl.** ..... **13-02**
- (52) **U.S. Cl.** ..... **D13/108**
- (58) **Field of Search** ..... **D13/107, 108,**  
**D13/110, 118; 439/172, 518, 956, 131;**  
**320/110-115**

(56) **References Cited**  
**U.S. PATENT DOCUMENTS**

4,543,624 A *	9/1985	Rumble	.....	439/956 X
D367,257 S *	2/1996	Buelow et al.	.....	D13/110
5,744,934 A *	4/1998	Wu	.....	320/111
5,829,993 A *	11/1998	Wu	.....	439/956 X
5,901,056 A *	5/1999	Hung	.....	363/142
5,906,509 A *	5/1999	Wu	.....	439/518
5,919,060 A *	7/1999	Lee	.....	D13/110 X
5,967,807 A *	10/1999	Wu	.....	439/956 X

\* cited by examiner

*Primary Examiner*—Joel Sincavage  
(74) *Attorney, Agent, or Firm*—Brooks Kushman P.C.

(57) **CLAIM**

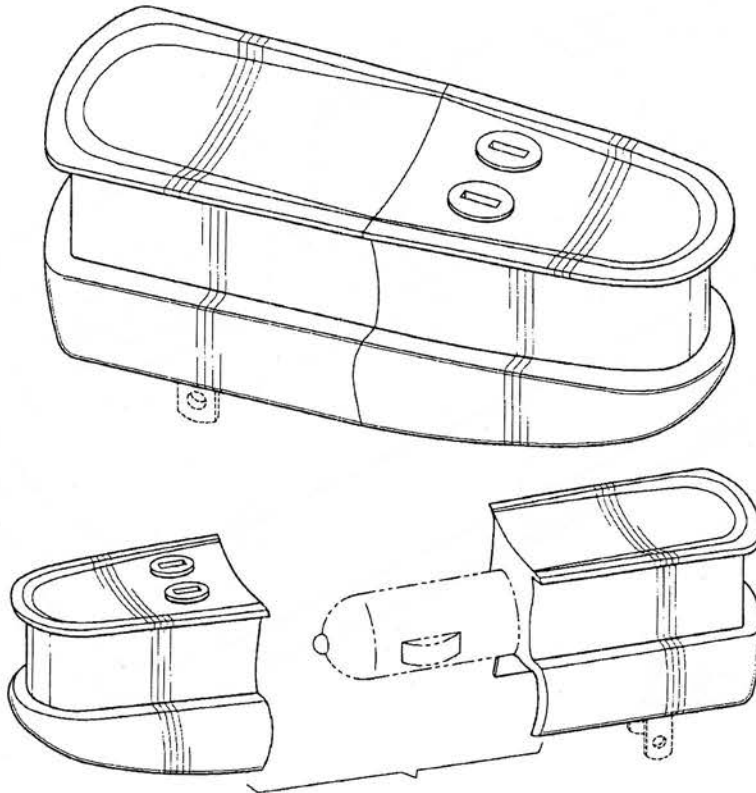
The ornamental design for a convertible telephone charger, as shown and described.

**DESCRIPTION**

FIG. 1 is a front perspective view of the convertible telephone charger of the present invention;  
 FIG. 2 is a rear perspective view thereof;  
 FIG. 3 is a rear elevation view thereof;  
 FIG. 4 is a side elevation view thereof;  
 FIG. 5 is a top plan view thereof;  
 FIG. 6 is a front elevation view thereof;  
 FIG. 7 is an exploded perspective view thereof showing a lighter adapter cover separated from a charger body portion; and,  
 FIG. 8 is a perspective view thereof showing the lighter adapter cover secured to a pair of AC current prongs of the charger.

The broken lines are for illustrative purposes only and form no part of the claimed design.

**1 Claim, 4 Drawing Sheets**



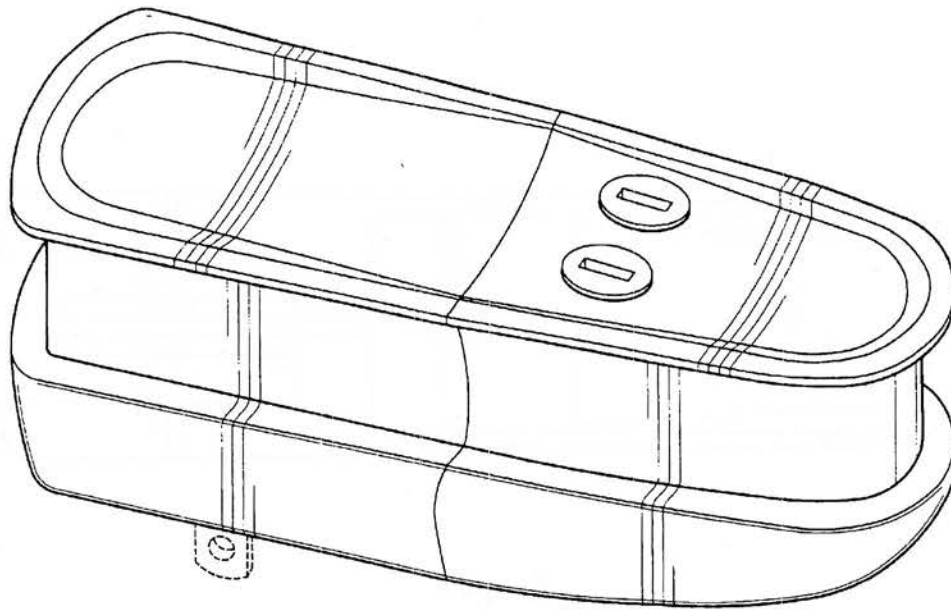


Fig-1

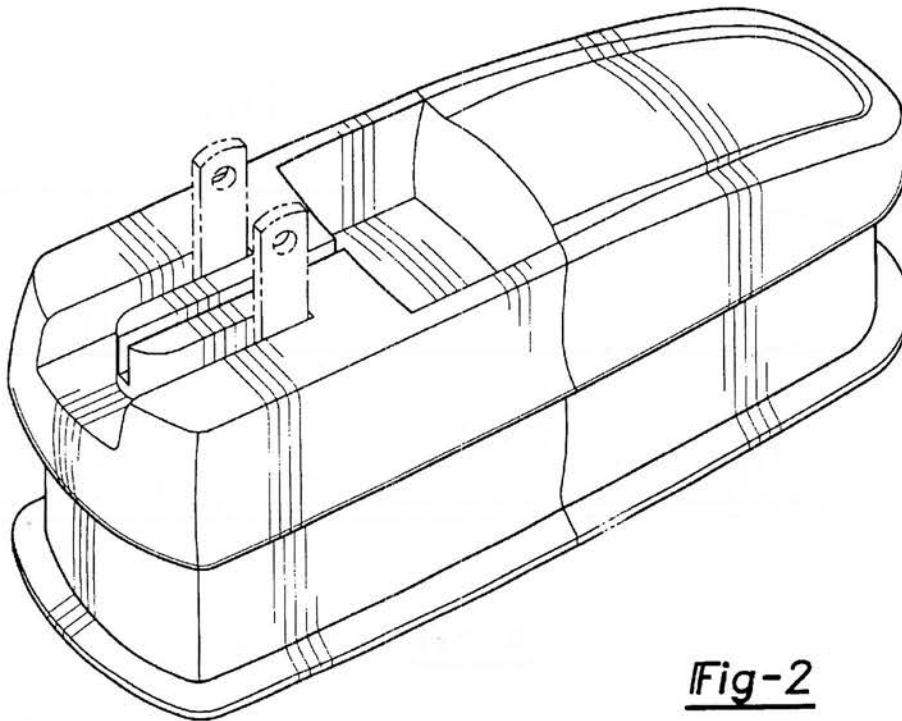


Fig-2