
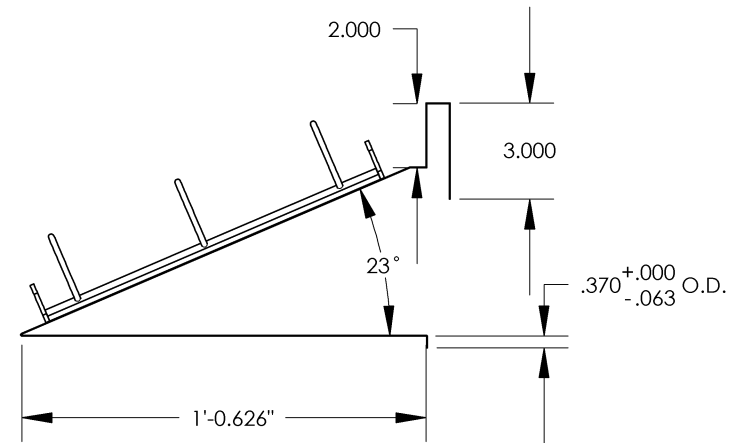
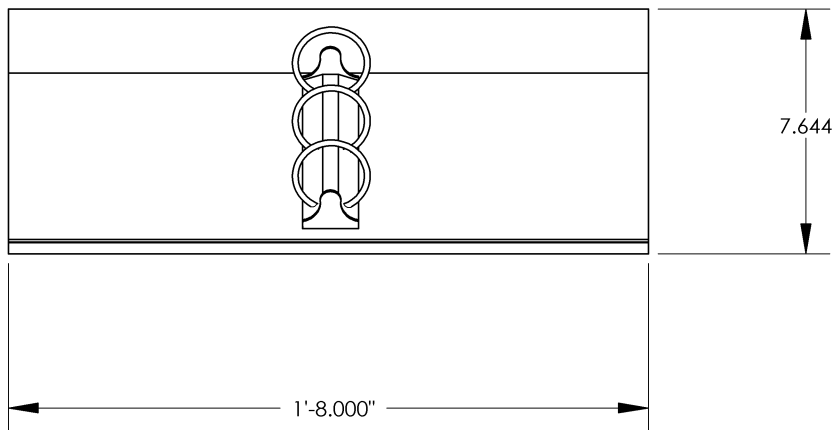
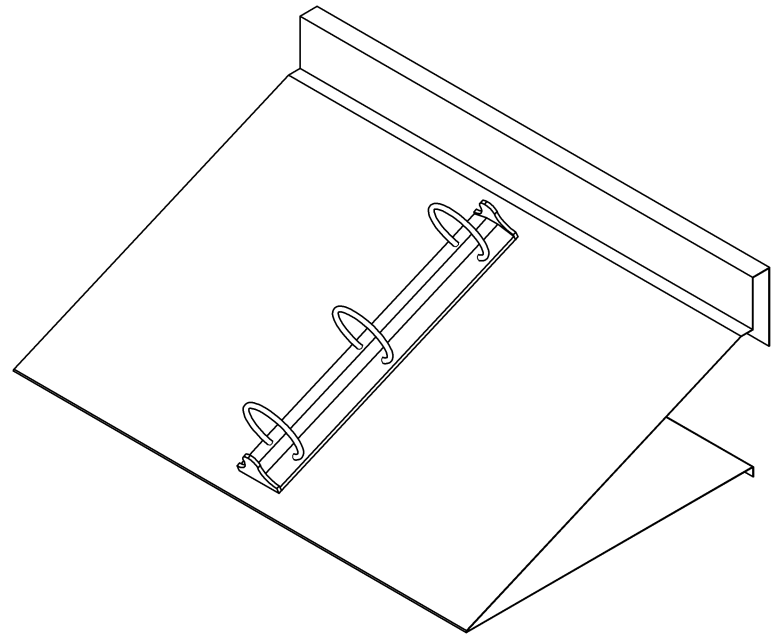
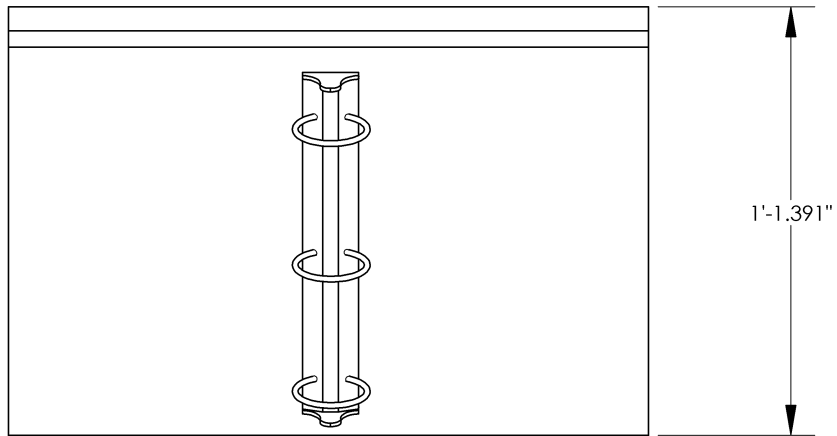



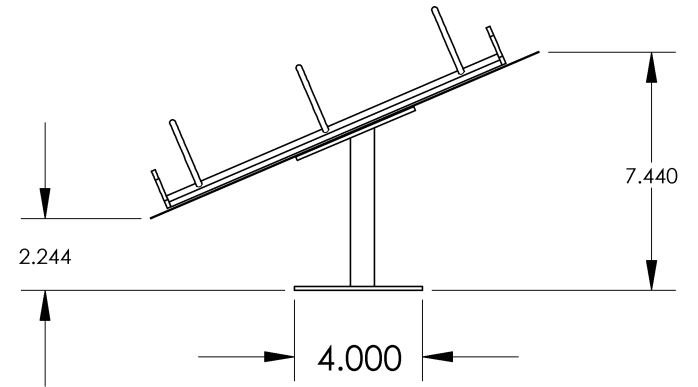
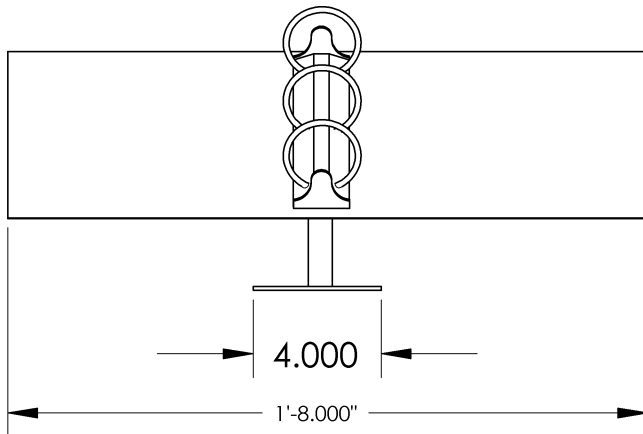
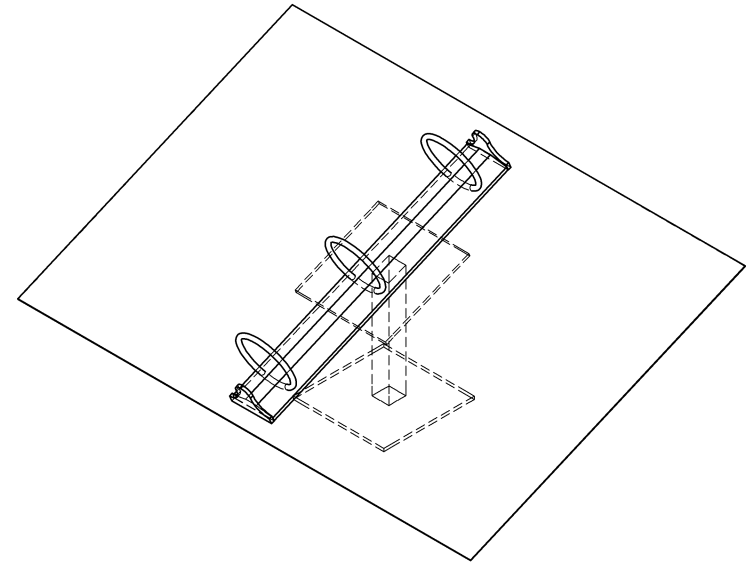
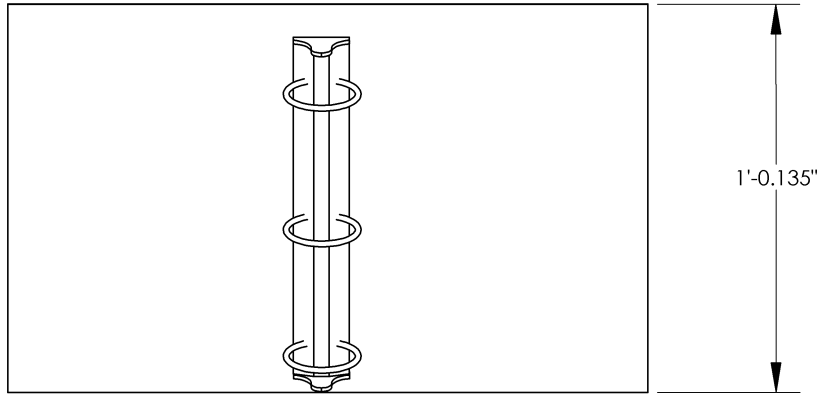
**\*\*FINISH - POWDER COAT - BLACK**


 <b>VISION</b> <sup>TM</sup> INDUSTRIES <i>Custom Display Solutions</i>		TITLE: CATALOG HOLDER	
		COMPONENT: #1	
DATE:		SHEET 1 OF	
QUOTE #			
CUSTOMER:			
		REV	



**\*\*FINISH - POWDER COAT - BLACK**

 <i>Custom Display Solutions</i>	TITLE: CATALOG HOLDER	
	COMPONENT: #2	
	DATE:	SHEET 1 OF
QUOTE #		
CUSTOMER:		



 Custom Display Solutions		TITLE: CATALOG HOLDER	
		COMPONENT: #3	
DATE:	SHEET 1 OF	REV	
QUOTE #			
CUSTOMER:			

**\*\*FINISH - POWDER COAT - BLACK**