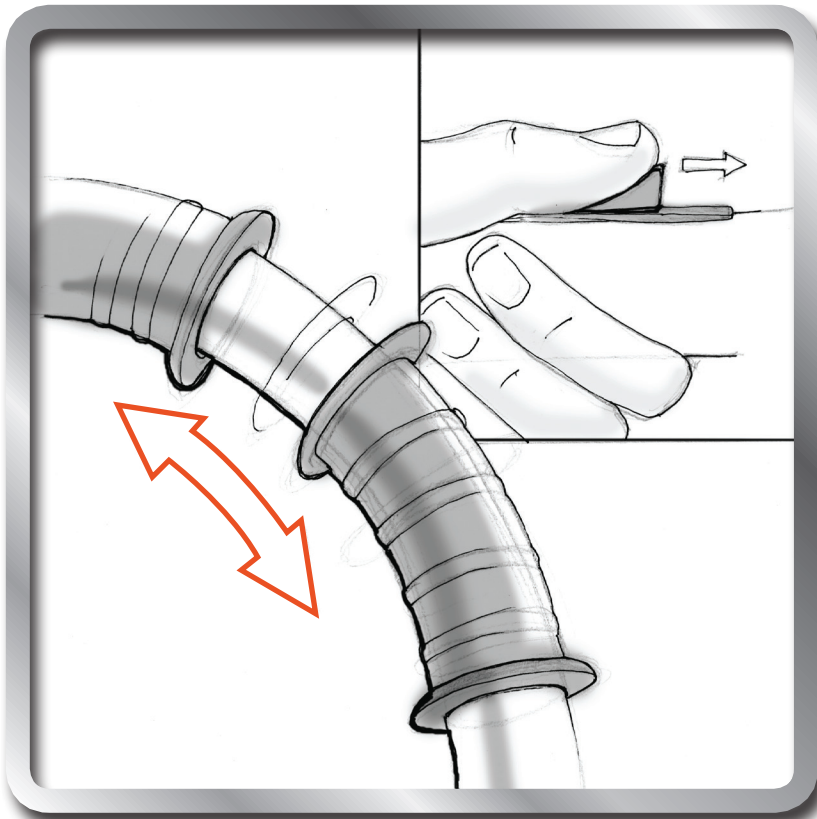
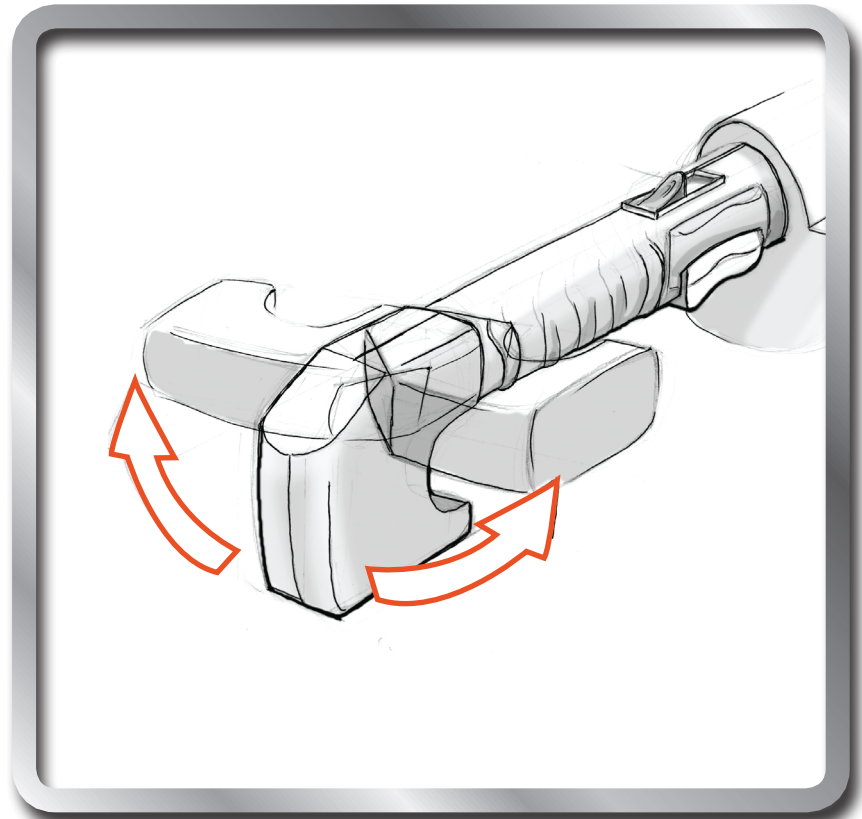


FEATURES



When the button on the rotating handle is engaged, the circle slide can move to the side. A notch in the circle keeps the slide at the top of the circle when not engaged for a standard grip.



When the slide moves to the side, the handle is free to rotate to the side. This keeps the trigger in the same orientation no matter what side of the shrub is being trimmed.