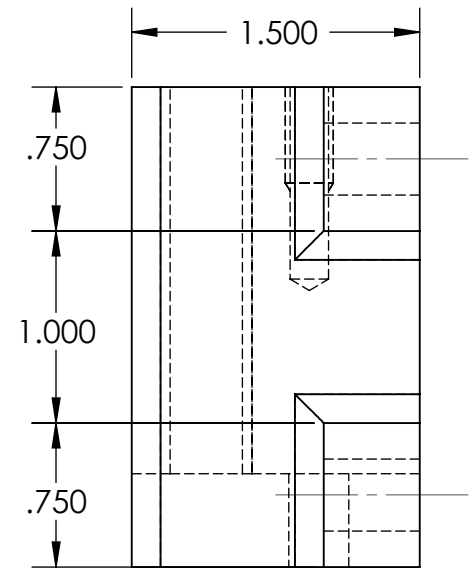
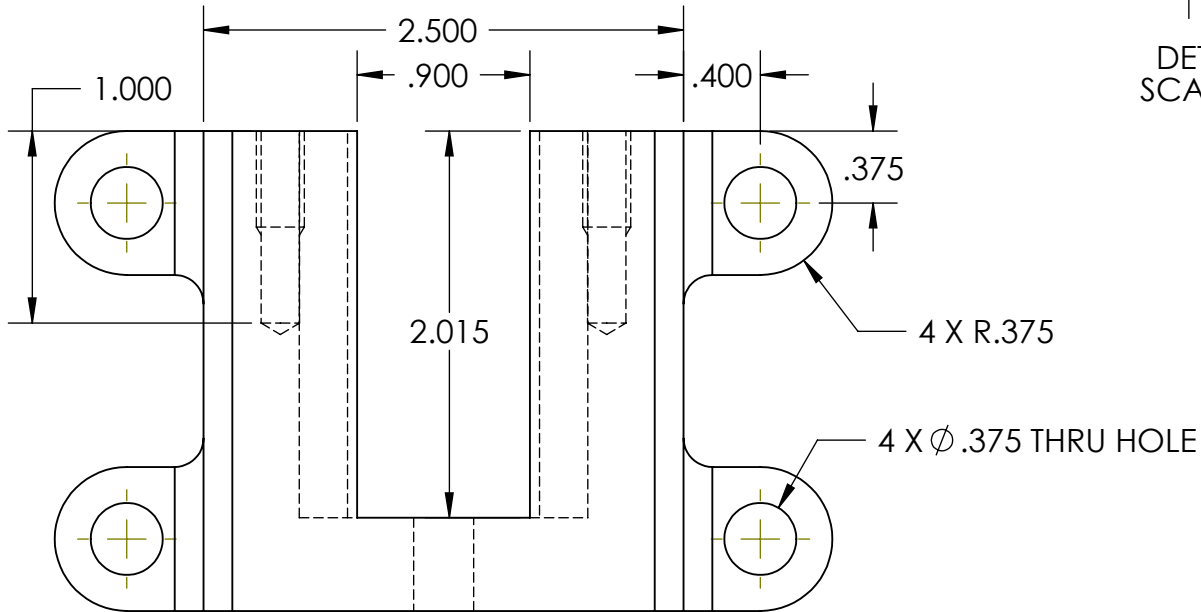


SCALE 1:2



COMPUTER AIDED DESIGN
AND DRAFTING

DWG: MOUNTING BRACKET

Drawn By: STEVE PALMATIER

CLASS & SECTION: CAD 242

Date: 04/22/10 Scale: 1:1



ALL FILLETS AND ROUNDS ARE R .150 UNLESS OTHERWISE SPECIFIED