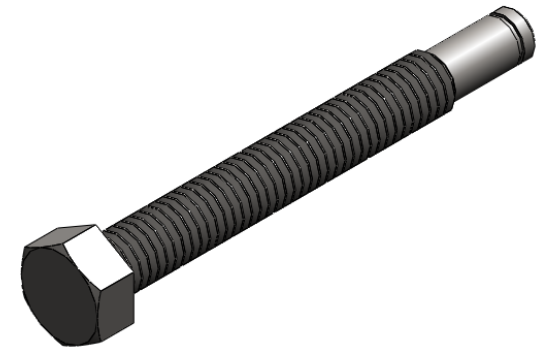
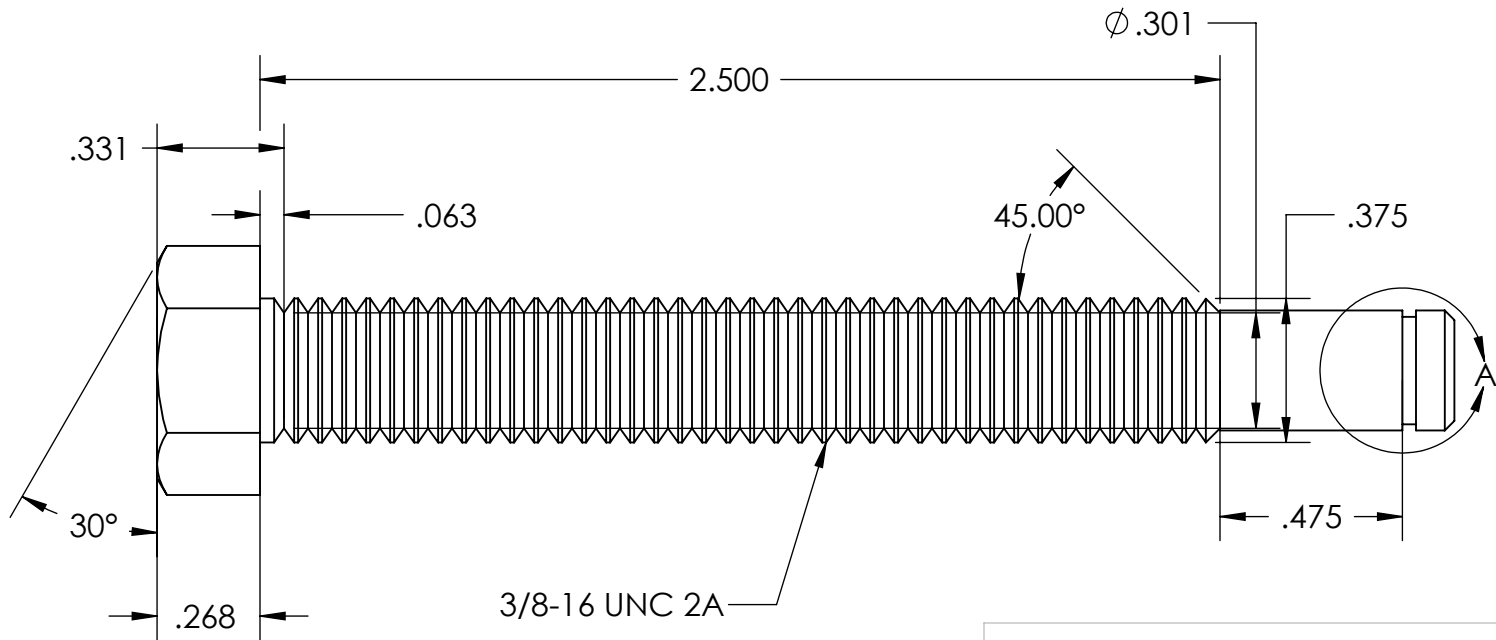
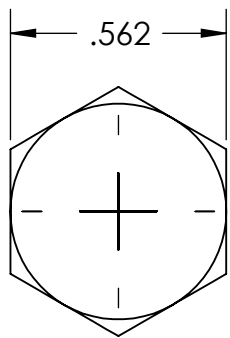


DETAIL A
SCALE 4 : 1



SCALE 1:1



COMPUTER AIDED DESIGN
AND DRAFTING

DWG: HEX HD BOLT

Drawn By: STEVE PALMATIER

CLASS & SECTION: CAD 242

Date: 04/22/10 **Scale:** 2:1

