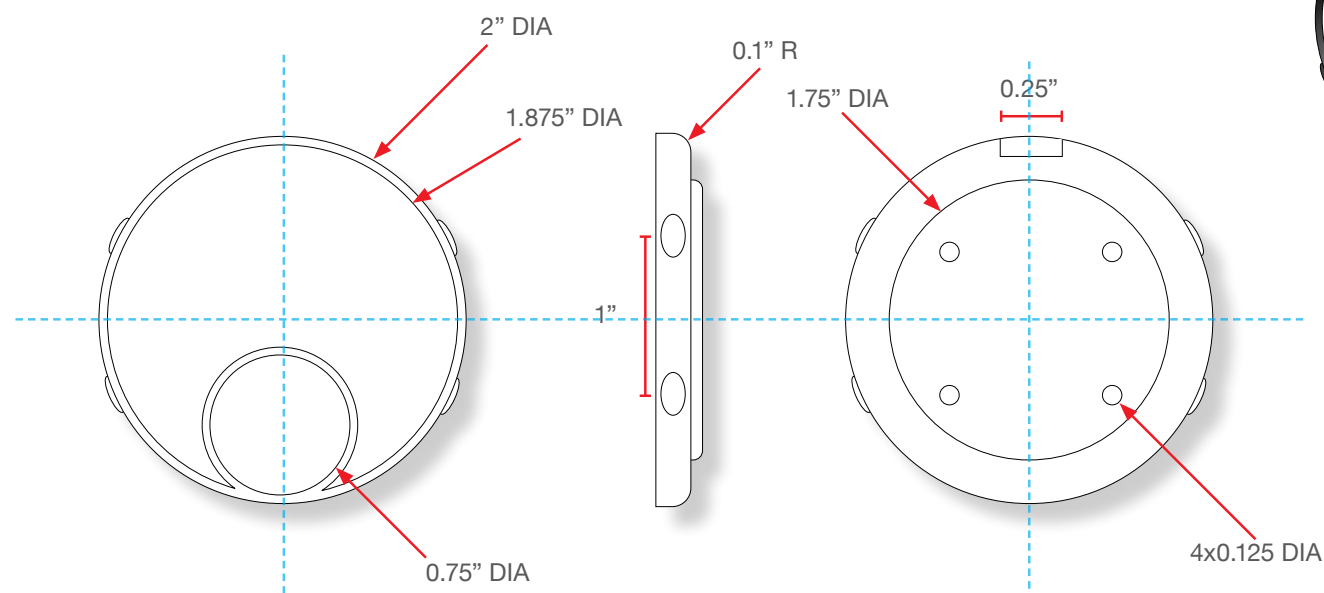
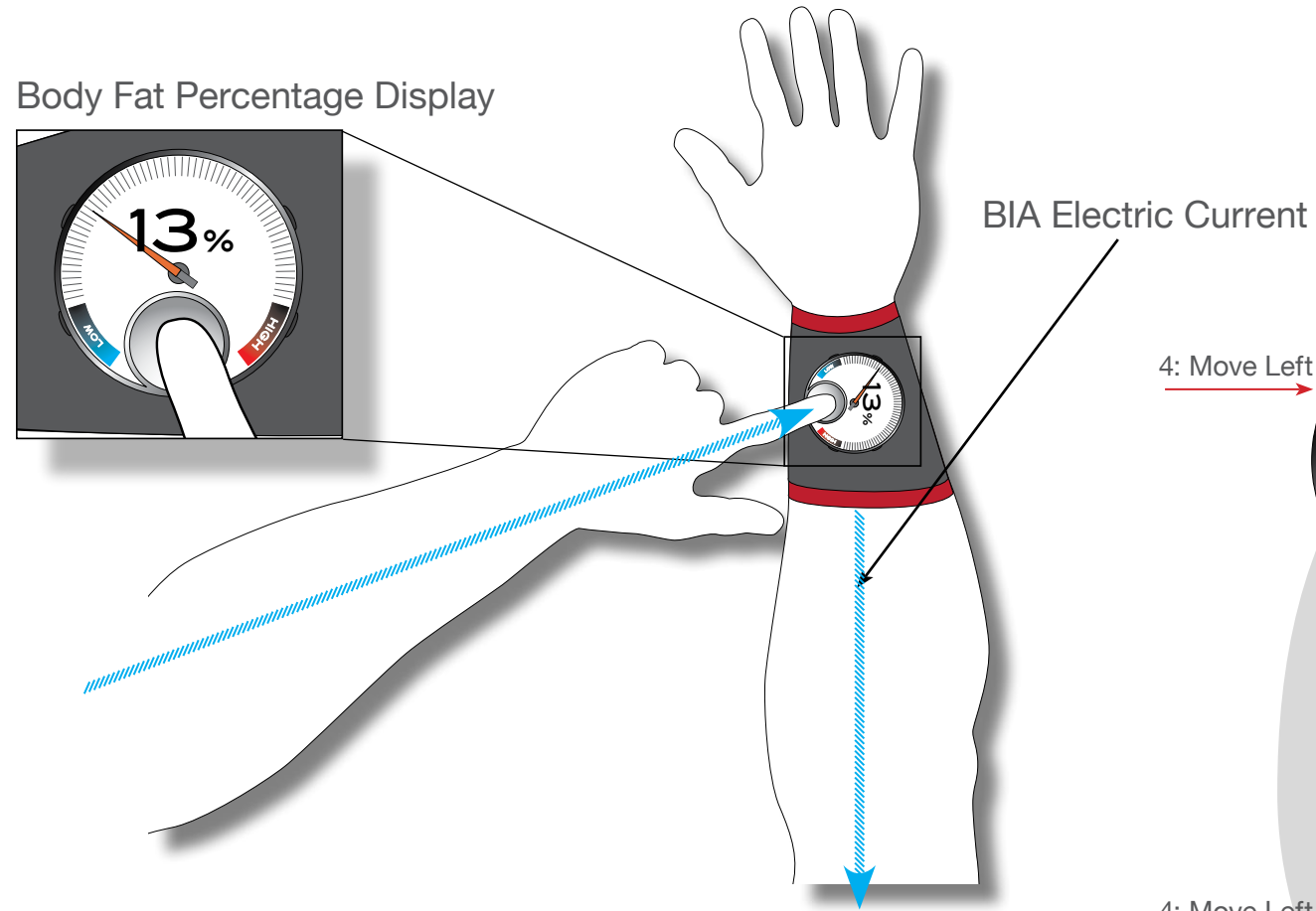
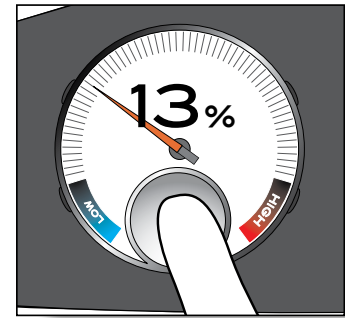


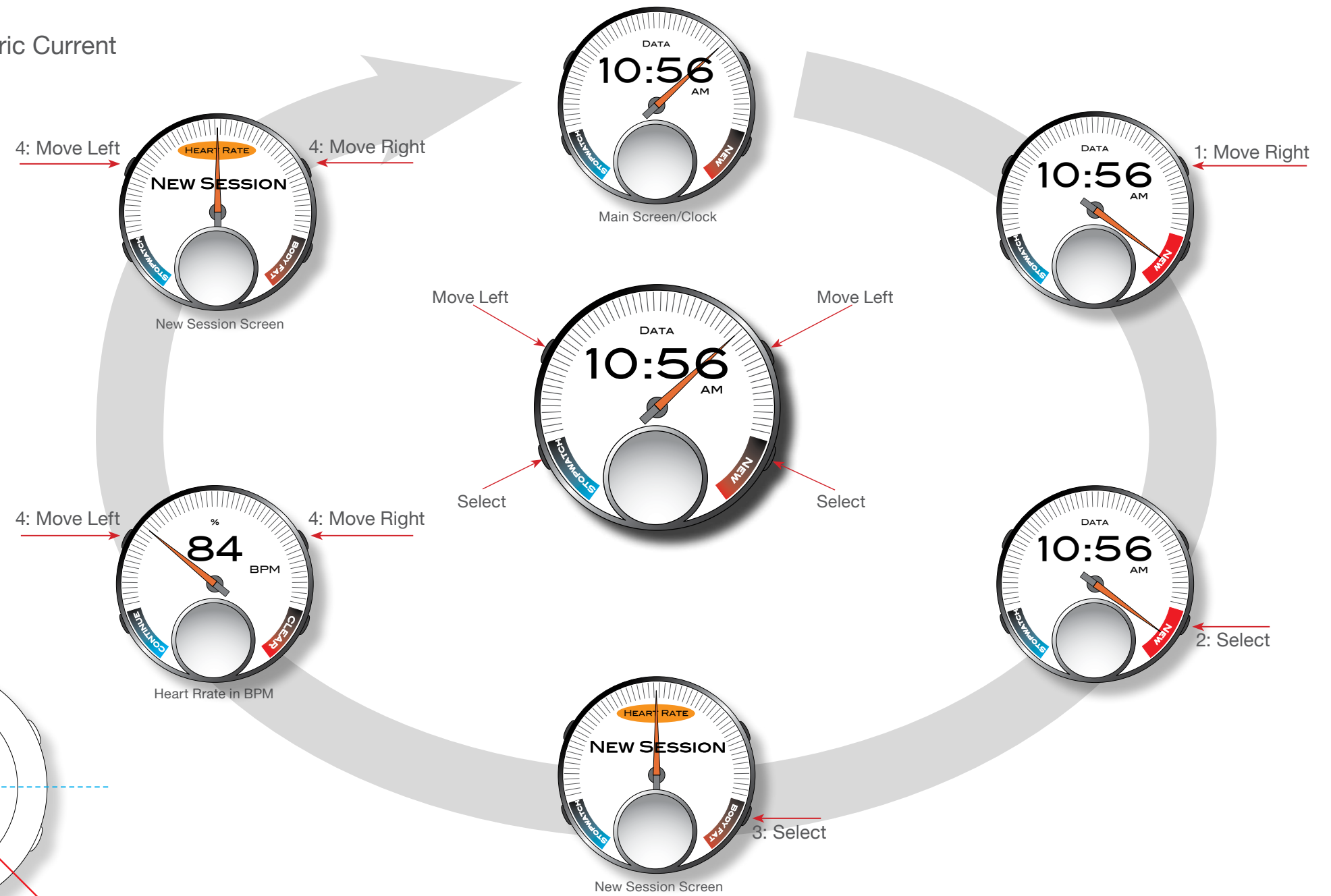
Phase 2 Concept Development

The BIA electric current leaves the rear contact of the watch, passes through the users arm, chest, other arm, then returns to the watch through the users other finger which is in pressed onto the front contact. The gauge display needle will sweep to the appropriate location on the interface and the actual number is displayed. 6% and under is very low 25% is very high for men.

Body Fat Percentage Display



Interface Operation



BIA Operation & Interface

