

PMA '15

LOCATION: GEORGIA WORLD CONGRESS CENTER

BOOTH # 3547

BOOTH SIZE: 30'X40'

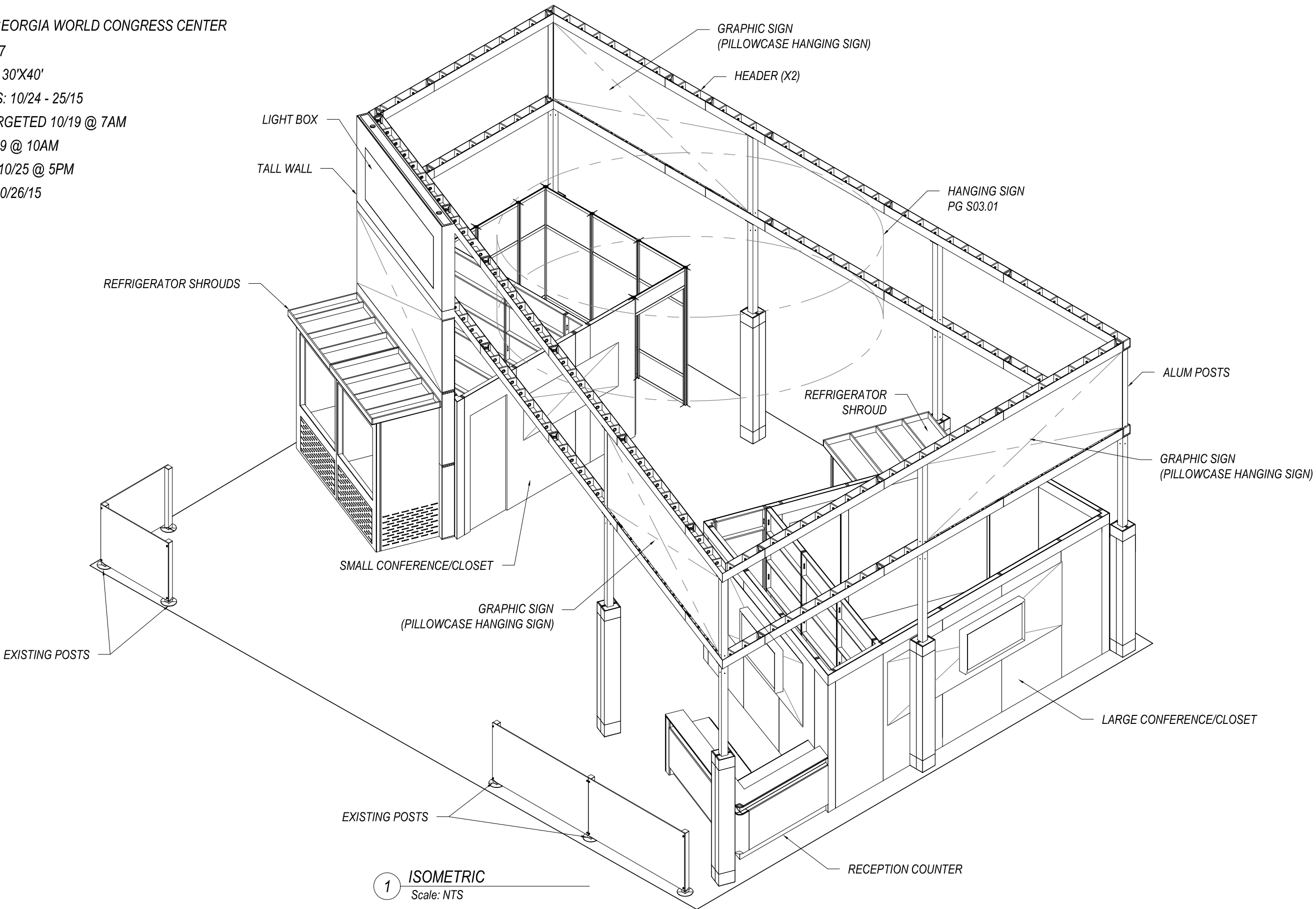
SHOW DATES: 10/24 - 25/15

MOVE IN: TARGETED 10/19 @ 7AM

SET-UP: 10/19 @ 10AM

DISMANTLE: 10/25 @ 5PM

MOVE OUT: 10/26/15



1 ISOMETRIC
Scale: NTS

1220
3801 VULCAN DRIVE
NASHVILLE, TN 37211
Telephone: 615.333.1220
Fax: 615.331.7141 www.1220.com

AE: -
AM: ANNA BAKER
PM: DON CHAVOUS
SHOP LEAD: MIKE GEISER
TECH L: AUSTIN MELTON

REV #		DATE	INIT	REVISIONS
▲	A	-	-	
▲	B	-	-	
▲	C	-	-	
▲	D	-	-	
▲	E	-	-	
▲	F	-	-	

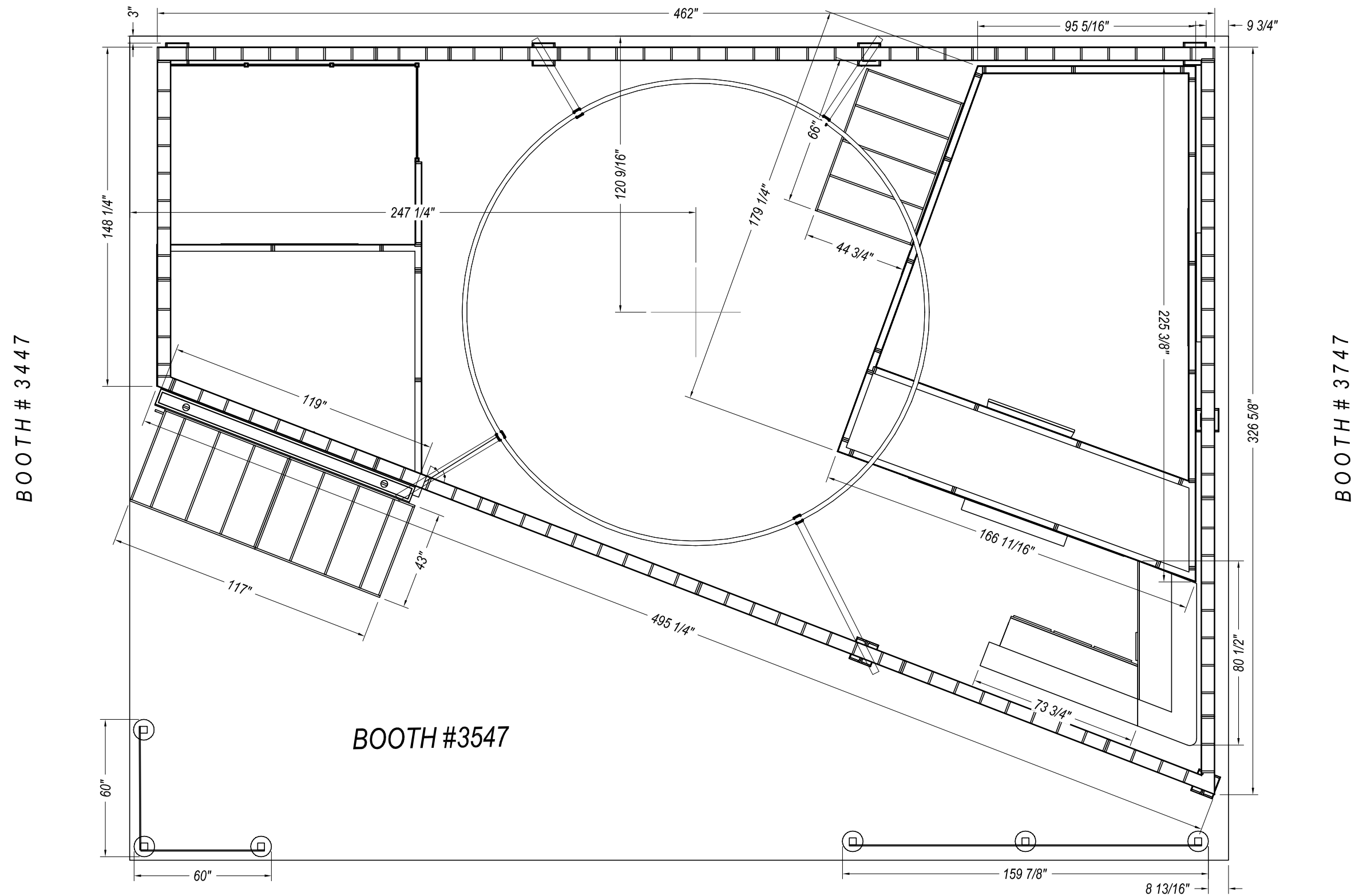
OCEAN MIST

PMA '15

SET UP DRAWINGS

SCALE: AS NOTED
DRAWN BY: AM / ABR
DATE: 10-16-15
JOB #: 4995-204
DWG. # **S01.00** REV. # -

BOOTH #3553



1 PLAN VIEW
Scale: 1/4" = 1' - 0"

1220
3801 VULCAN DRIVE
NASHVILLE, TN 37211
Telephone: 615.333.1220
Fax: 615.331.7141 www.1220.com

AE: -
AM: ANNA BAKER
PM: DON CHAVOUS
SHOP LEAD: MIKE GEISER
TECH L: AUSTIN MELTON

REV #	DATE	INIT	REVISIONS
A			
B			
C			
D			
E			
F			

OCEAN MIST

PMA '15

SET UP DRAWINGS

SCALE: AS NOTED
DRAWN BY: AM / ABR
DATE: 10-16-15
JOB #: 4995-204
DWG. # S01.01
REV. # -

AE: -
 AM: ANNA BAKER
 PM: DON CHAVOUS
 SHOP LEAD: MIKE GEISER
 TECH L: AUSTIN MELTON

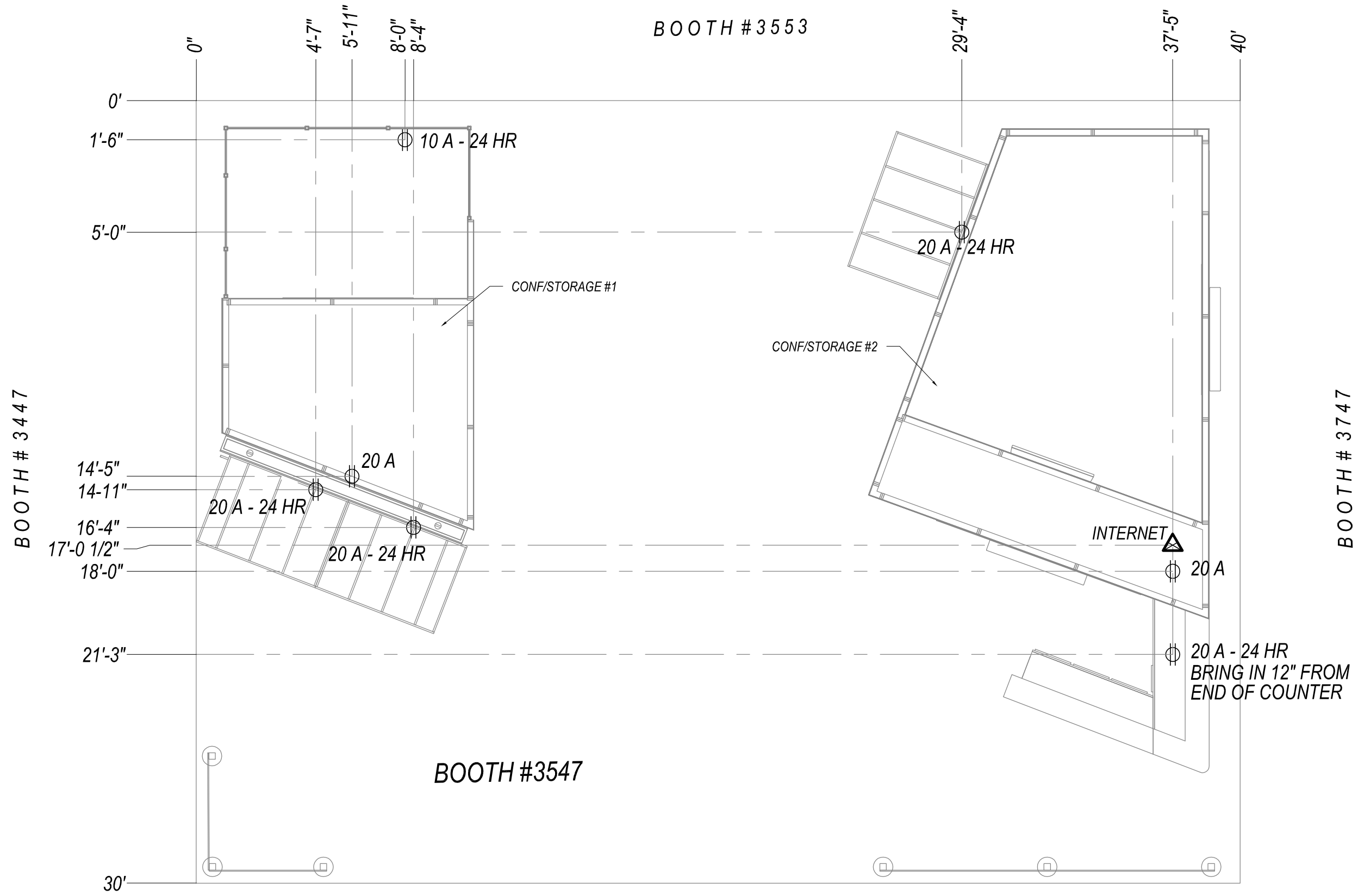
REV #	DATE	INIT	REVISIONS
1	10/16/15	AM	INTERNET ADDED

OCEAN MIST

PMA '15

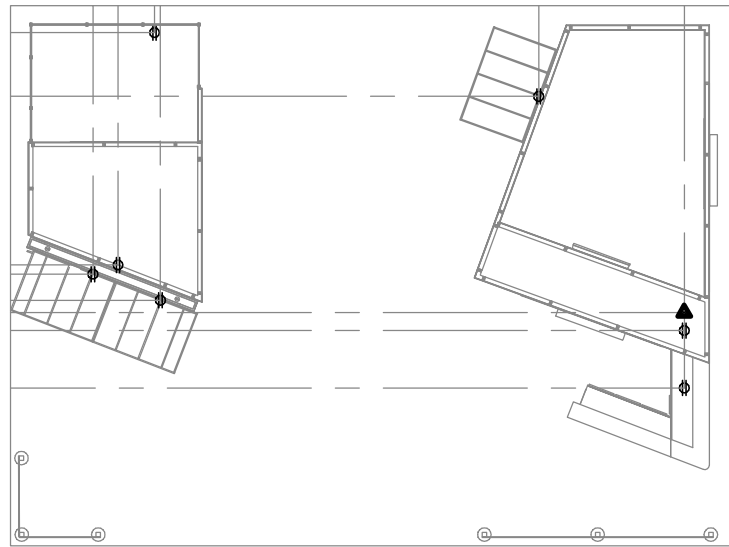
SET UP DRAWINGS
 ELECTRICAL

SCALE: AS NOTED
 DRAWN BY: AM / ABR
 DATE: 10-16-15
 JOB #: 4995-204
 DWG. # **S01.02** REV. -



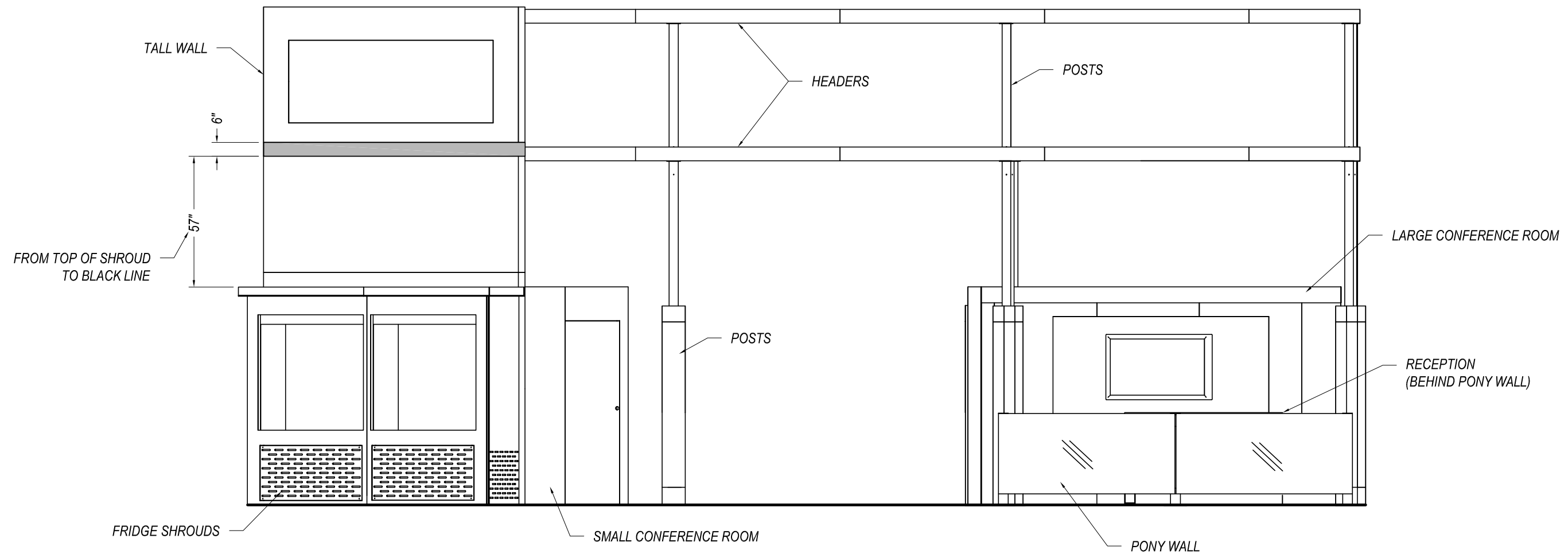
1 ELECTRICAL PLAN
 Scale: 1/4" = 1' - 0"

AISLE



2
S01.03

1 **PLAN VIEW**
Scale: 3/32" = 1' - 0"



2 **FRONT ELEVATION**
Scale: 1/4" = 1' - 0"

1220

3801 VULCAN DRIVE
NASHVILLE, TN 37211
Telephone: 615.333.1220
Fax: 615.331.7141 www.1220.com

AE: -
AM: ANNA BAKER
PM: DON CHAVOUS
SHOP LEAD: MIKE GEISER
TECH L: AUSTIN MELTON

REVISIONS				
REV #	DATE	INIT	DATE	INIT
A				
E				
D				
C				
B				
A				

OCEAN MIST

IFA '15

SET UP DRAWINGS

SCALE: AS NOTED

DRAWN BY: AM

DATE: 10 - 16 - 15

JOB #: 4995-200

DWG. # **S01.03** REV. -

AE: -
 AM: ANNA BAKER
 PM: DON CHAVOUS
 SHOP LEAD: MIKE GEISER
 TECH L: AUSTIN MELTON

REVISIONS

REV #	DATE	INIT
A		
B		
C		
D		
E		

OCEAN MIST

IFA '15

OVERALL DIM'S
 SET UP DRAWINGS

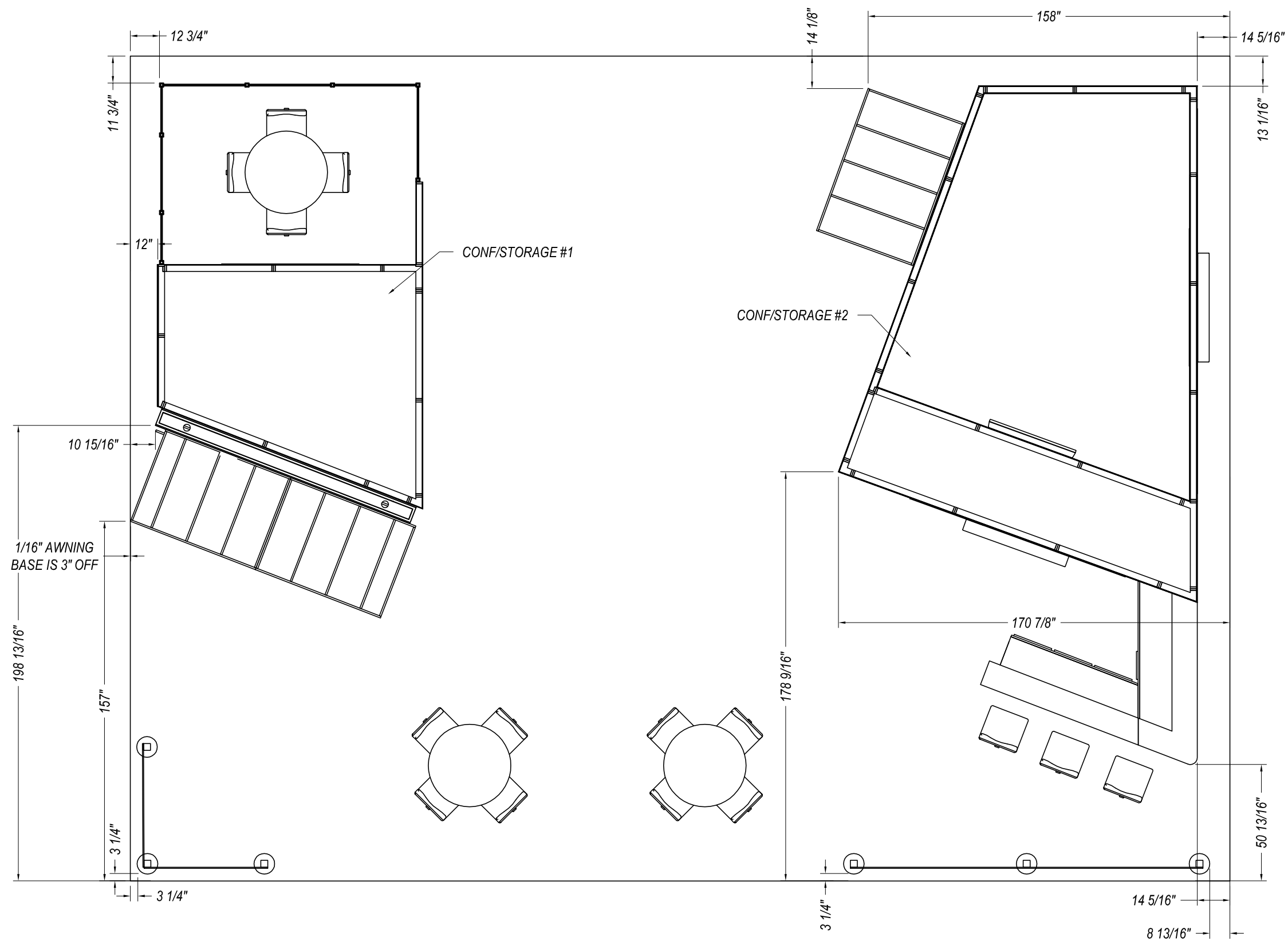
SCALE: AS NOTED

DRAWN BY: AM

DATE: 10-08-15

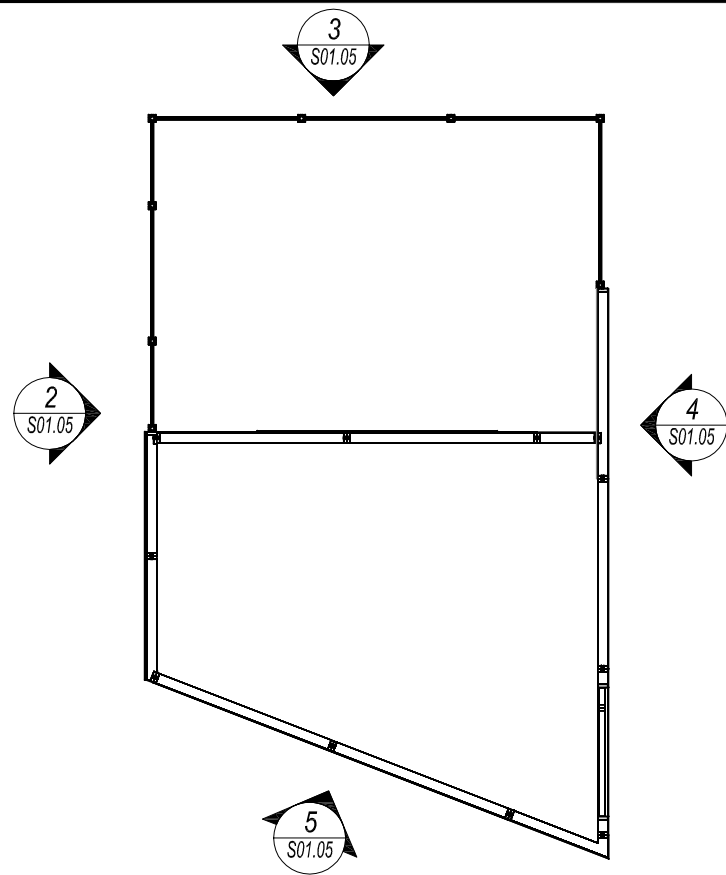
JOB #: 4995-200

DWG. #	REV.
S01.06	-

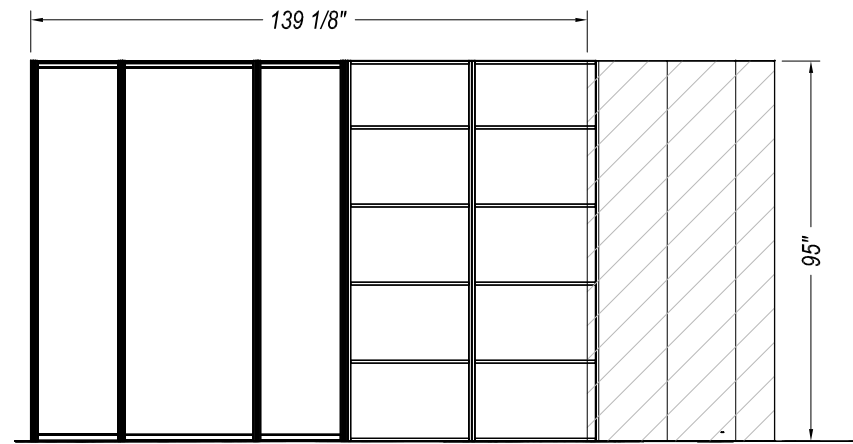


1 PLAN VIEW
 Scale: 1/4" = 1'-0"

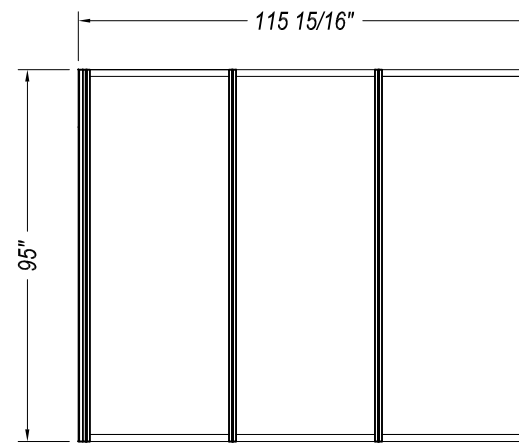
AE: -
 AM: ANNA BAKER
 PM: DON CHAVOUS
 SHOP LEAD: MIKE GEISER
 TECH L: AUSTIN MELTON



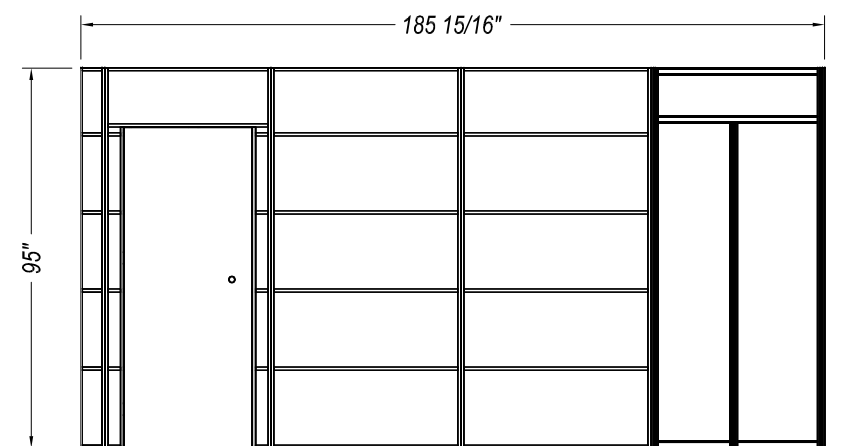
1 CONF/STORAGE #1 PLAN
 Scale: 1/4" = 1' - 0"



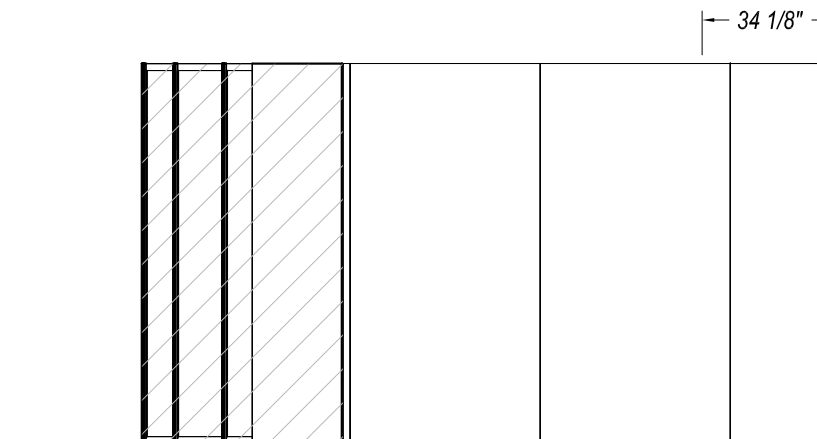
2 ELEVATION
 Scale: 1/4" = 1' - 0"



3 ELEVATION
 Scale: 1/4" = 1' - 0"



4 ELEVATION
 Scale: 1/4" = 1' - 0"



REVISIONS					
REV #	DATE	INIT	BY	DATE	INIT
A					
B					
C					
D					
E					
F					

OCEAN MIST

IFA '15

SET UP DRAWINGS

SCALE: AS NOTED

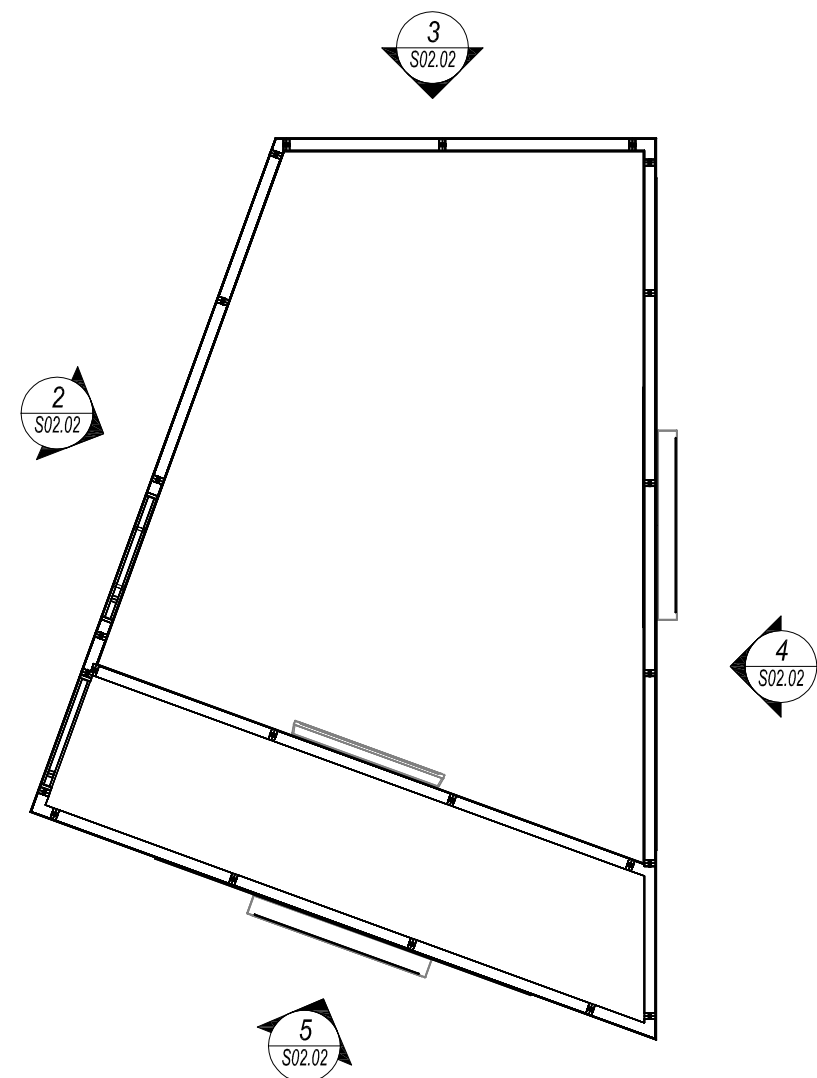
DRAWN BY: AM

DATE: 05 - 27 - 15

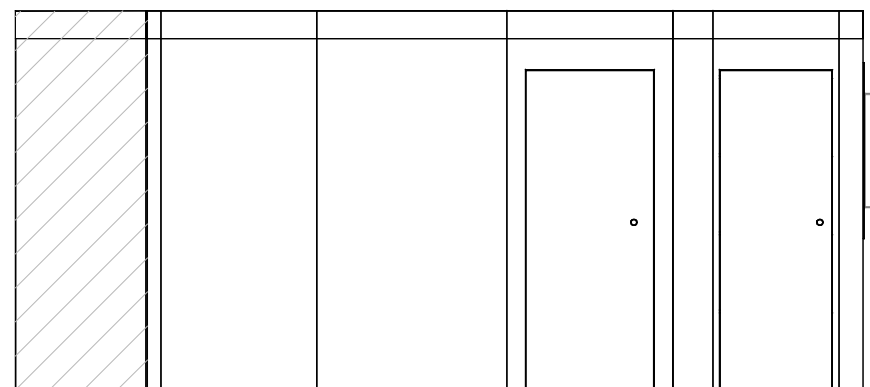
JOB #: 4995-200

DWG. #	REV.
S02.01	-

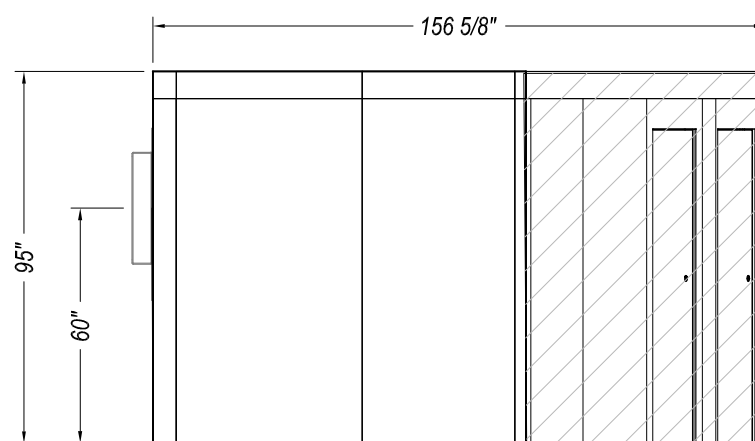
AE: -
AM: ANNA BAKER
PM: DON CHAVOUS
SHOP LEAD: MIKE GEISER
TECH L: AUSTIN MELTON



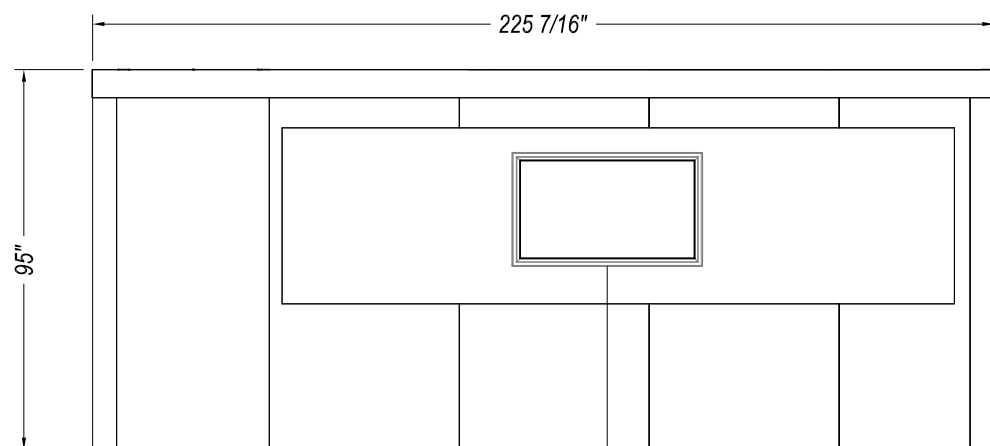
1 CONF/STORAGE #2 PLAN
Scale: 1/4" = 1' - 0"



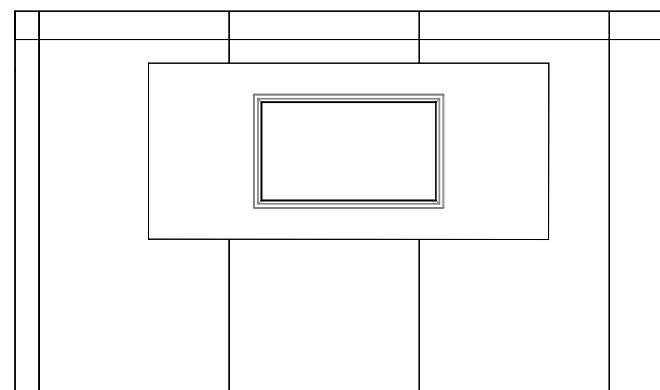
2 ELEVATION
Scale: 1/4" = 1' - 0"



3 ELEVATION
Scale: 1/4" = 1' - 0"



4 ELEVATION
Scale: 1/4" = 1' - 0"



5 ELEVATION
Scale: 1/4" = 1' - 0"

REVISIONS					
REV #	DATE	INIT			
A					
B					
C					
D					
E					
F					

OCEAN MIST

IFA '15

SET UP DRAWINGS

SCALE: AS NOTED

DRAWN BY: AM

DATE: 05 - 27 - 15

JOB #: 4995-200

DWG. # REV.
S02.02 -

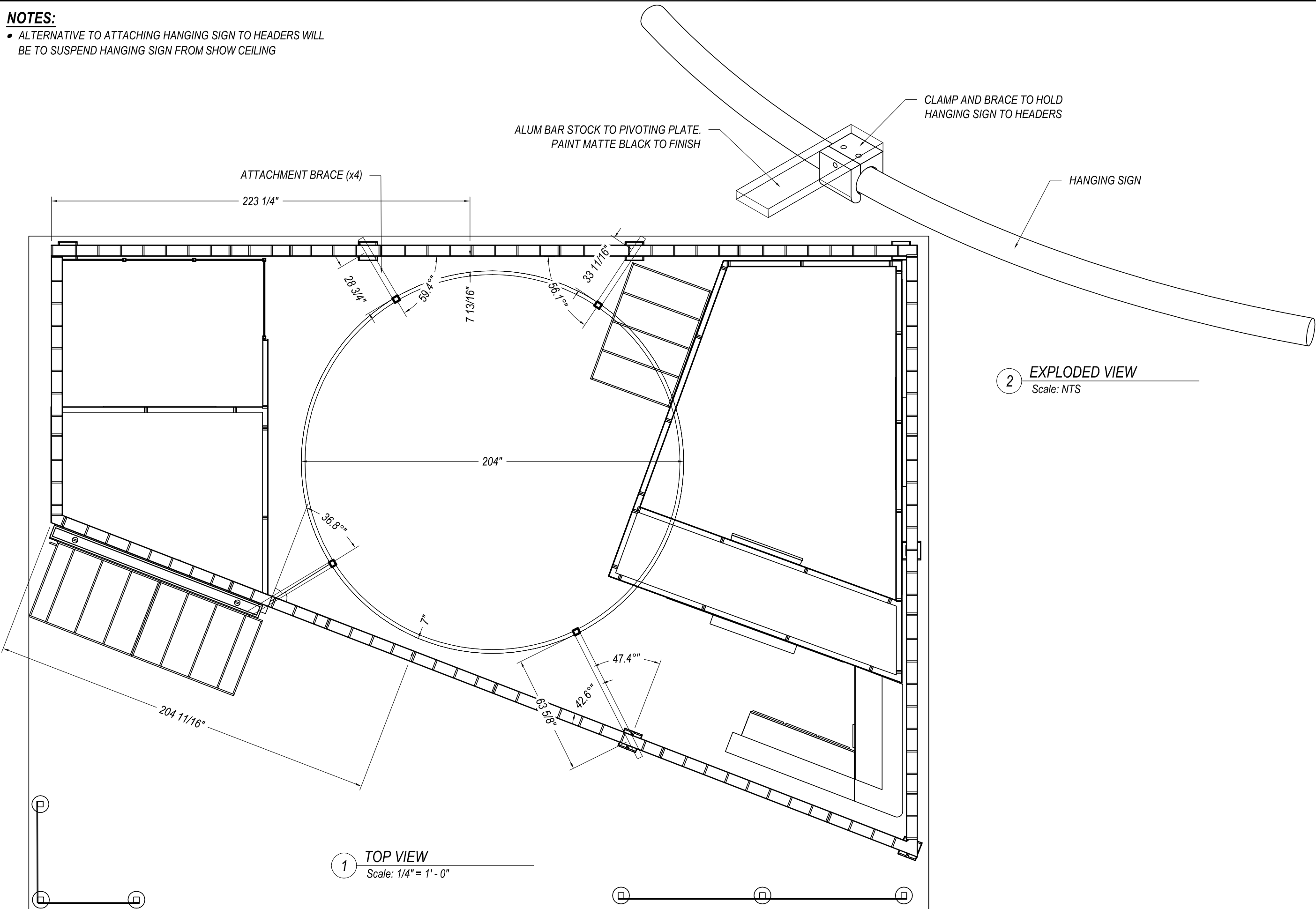
NOTES:

- ALTERNATIVE TO ATTACHING HANGING SIGN TO HEADERS WILL BE TO SUSPEND HANGING SIGN FROM SHOW CEILING

1220

3801 VULCAN DRIVE
NASHVILLE, TN 37211
Telephone: 615.333.1220
Fax: 615.331.7141 www.1220.com

AE: -
AM: ANNA BAKER
PM: DON CHAVOUS
SHOP LEAD: MIKE GEISER
TECH L: AUSTIN MELTON



1 TOP VIEW
Scale: 1/4" = 1' - 0"

2 EXPLODED VIEW
Scale: NTS

REVISIONS

REV #	DATE	INIT
A		
B		
C		
D		
E		
F		

OCEAN MIST

IFA '15

HANGING SIGN
SET UP DRAWINGS

SCALE: AS NOTED

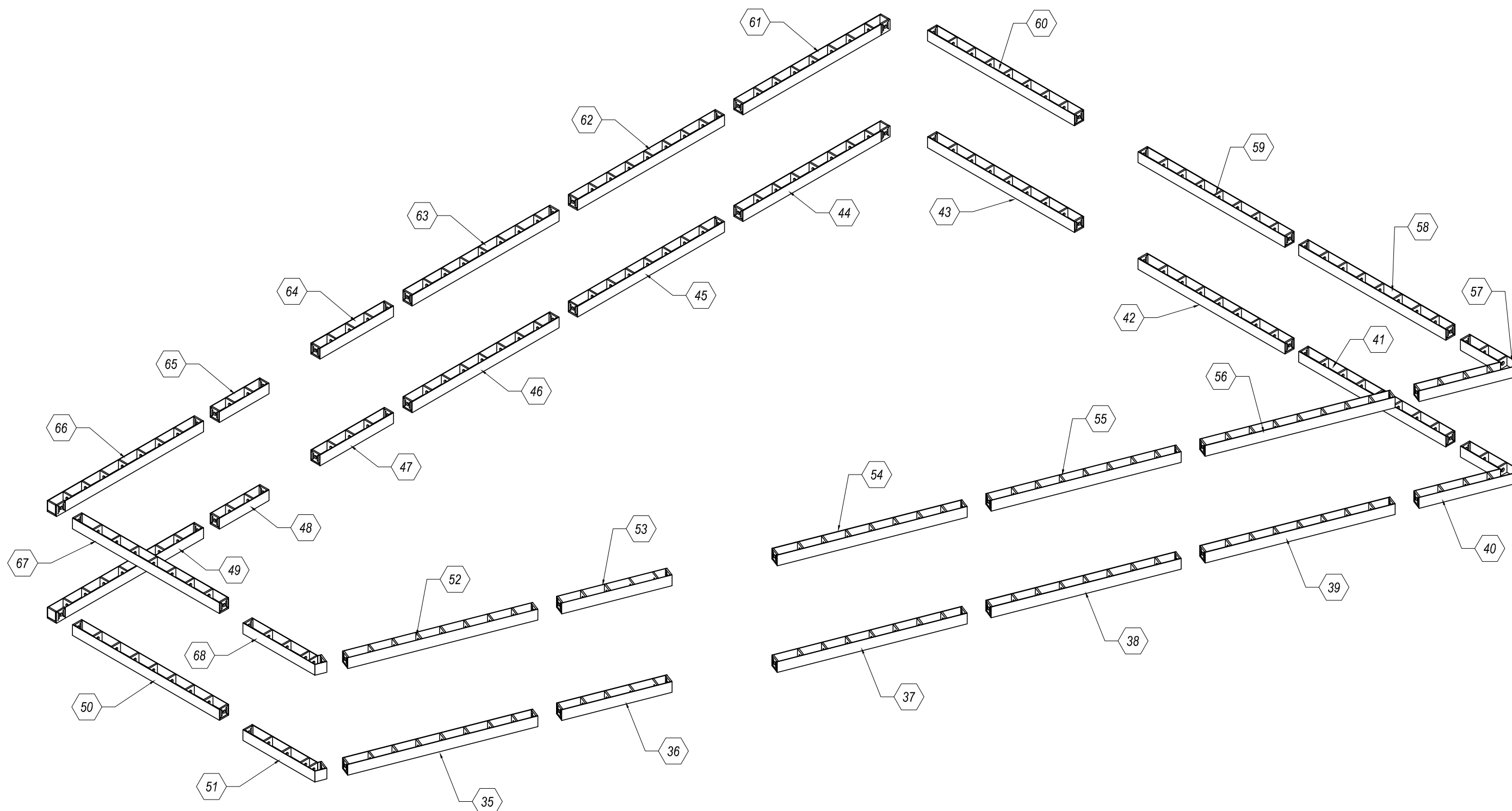
DRAWN BY: AM

DATE: 05 - 27 - 15

JOB #: 4995-200

DWG. # **S03.01** REV. # -

AE: -
AM: ANNA BAKER
PM: DON CHAVOUS
SHOP LEAD: MIKE GEISER
TECH L: AUSTIN MELTON



1 ISOMETRIC HEADER VIEW
Scale: 1/4" = 1' - 0"

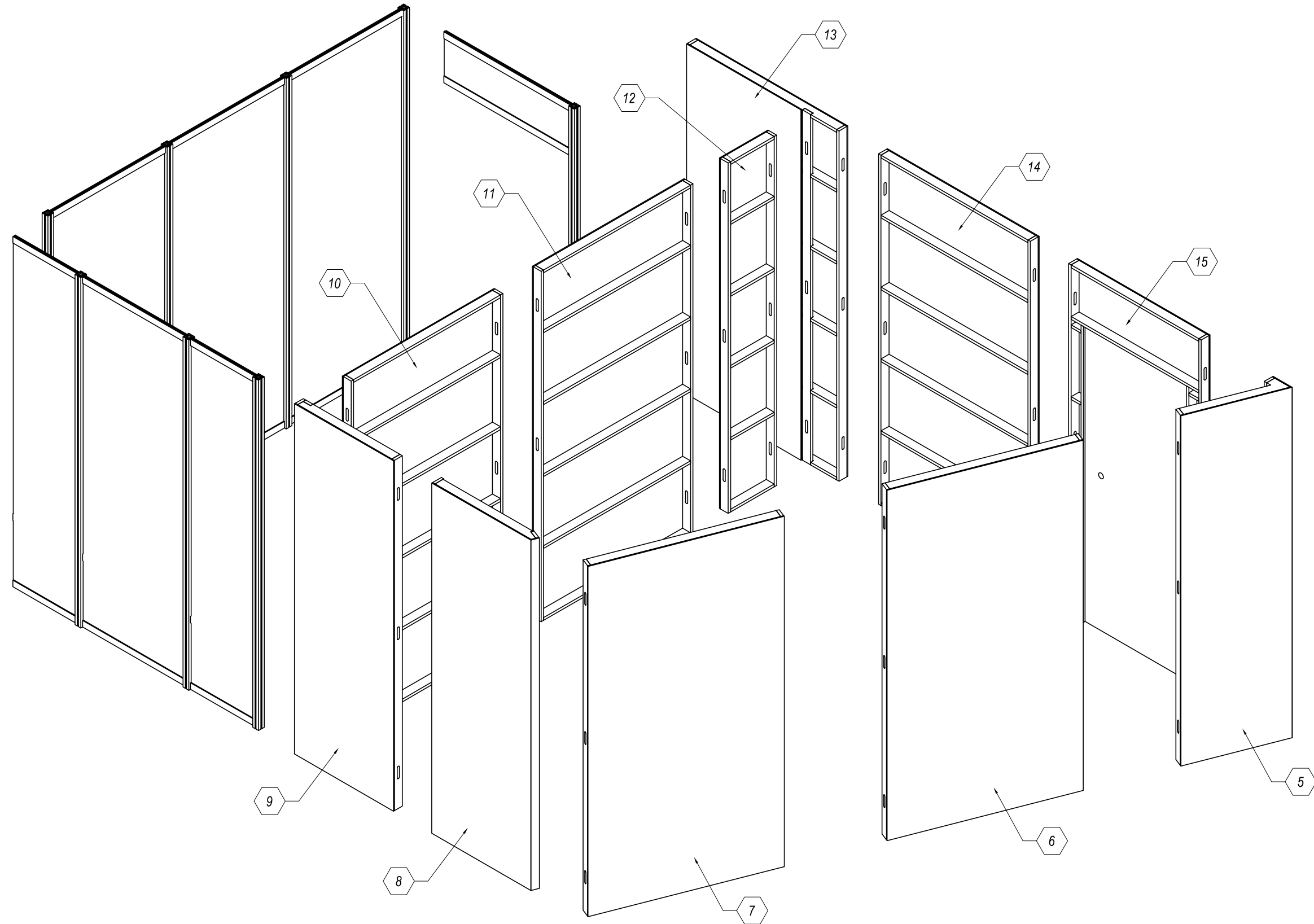
REVISIONS				
REV #	DATE	INIT	DESCRIPTION	BY
A				
B				
C				
D				
E				
F				

OCEAN MIST

IFA '15

HEADER
CONSTRUCTION
SET UP NUMBERS

SCALE: AS NOTED
DRAWN BY: AM
DATE: 09 - 25 - 15
JOB #: 4995-200
DWG. # **S04.01** REV. # -



2 EXPLODED VIEW
Scale: 1/2" = 1' - 0"

1220
3801 VULCAN DRIVE
NASHVILLE, TN 37211
Telephone: 615.333.1220
Fax: 615.331.7141 www.1220.com

AE: -
AM: ANNA BAKER
PM: DON CHAVOUS
SHOP LEAD: MIKE GEISER
TECH L: AUSTIN MELTON

REVISIONS				
REV #	DATE	INIT		
A				
B				
C				
D				
E				
F				

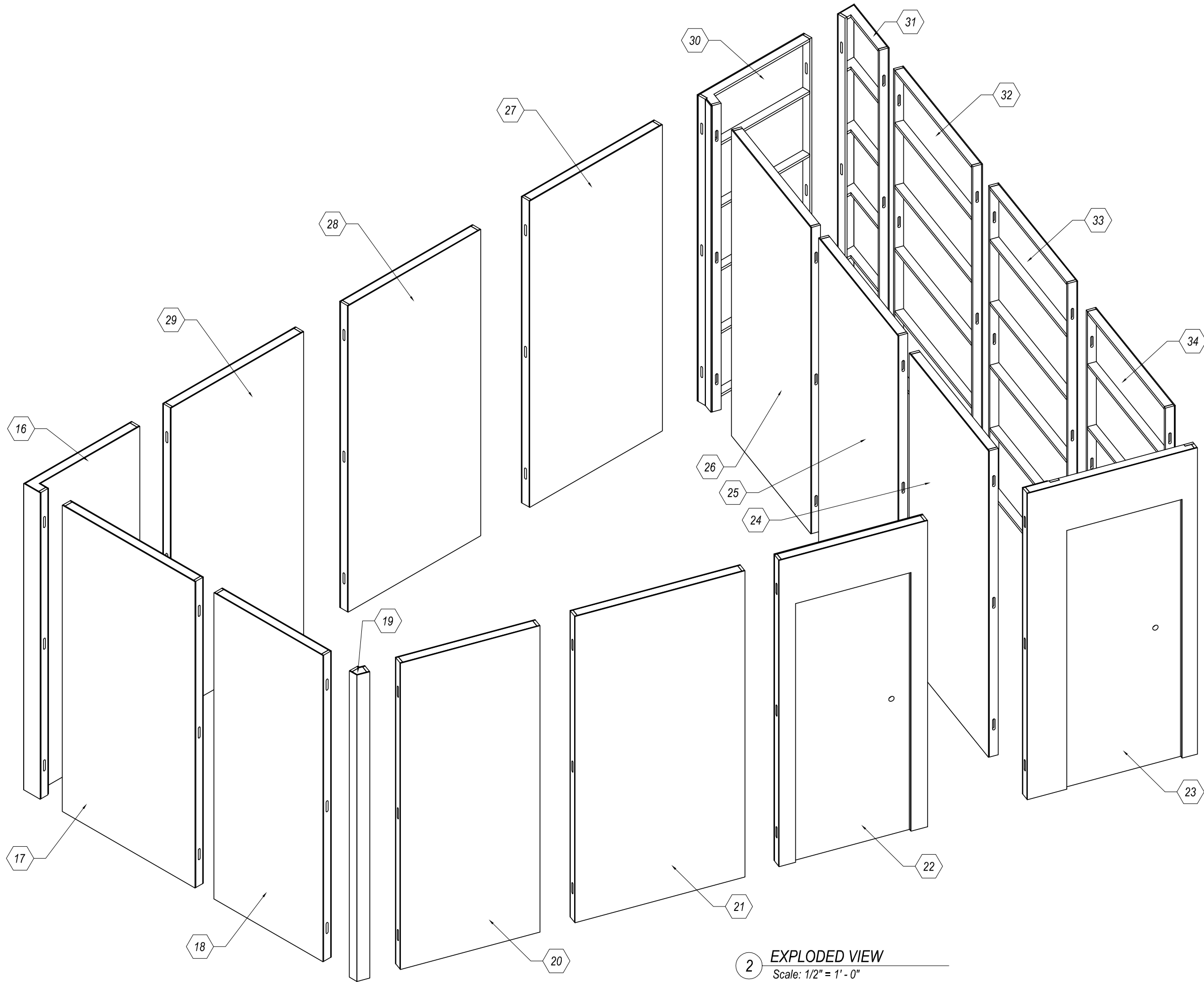
OCEAN MIST

IFA '15

CONFERENCE/
STORAGE ROOM
CONSTRUCTION
SET UP NUMBERS

SCALE: AS NOTED
DRAWN BY: AM
DATE: 09 - 26 - 15
JOB #: 4995-200
DWG. # S04.02
REV. -

AE: -
 AM: ANNA BAKER
 PM: DON CHAVOUS
 SHOP LEAD: MIKE GEISER
 TECH L: AUSTIN MELTON



2 EXPLODED VIEW
 Scale: 1/2" = 1' - 0"

REVISIONS				
REV #	DATE	INIT		
A				
E				
D				
C				
B				
A				

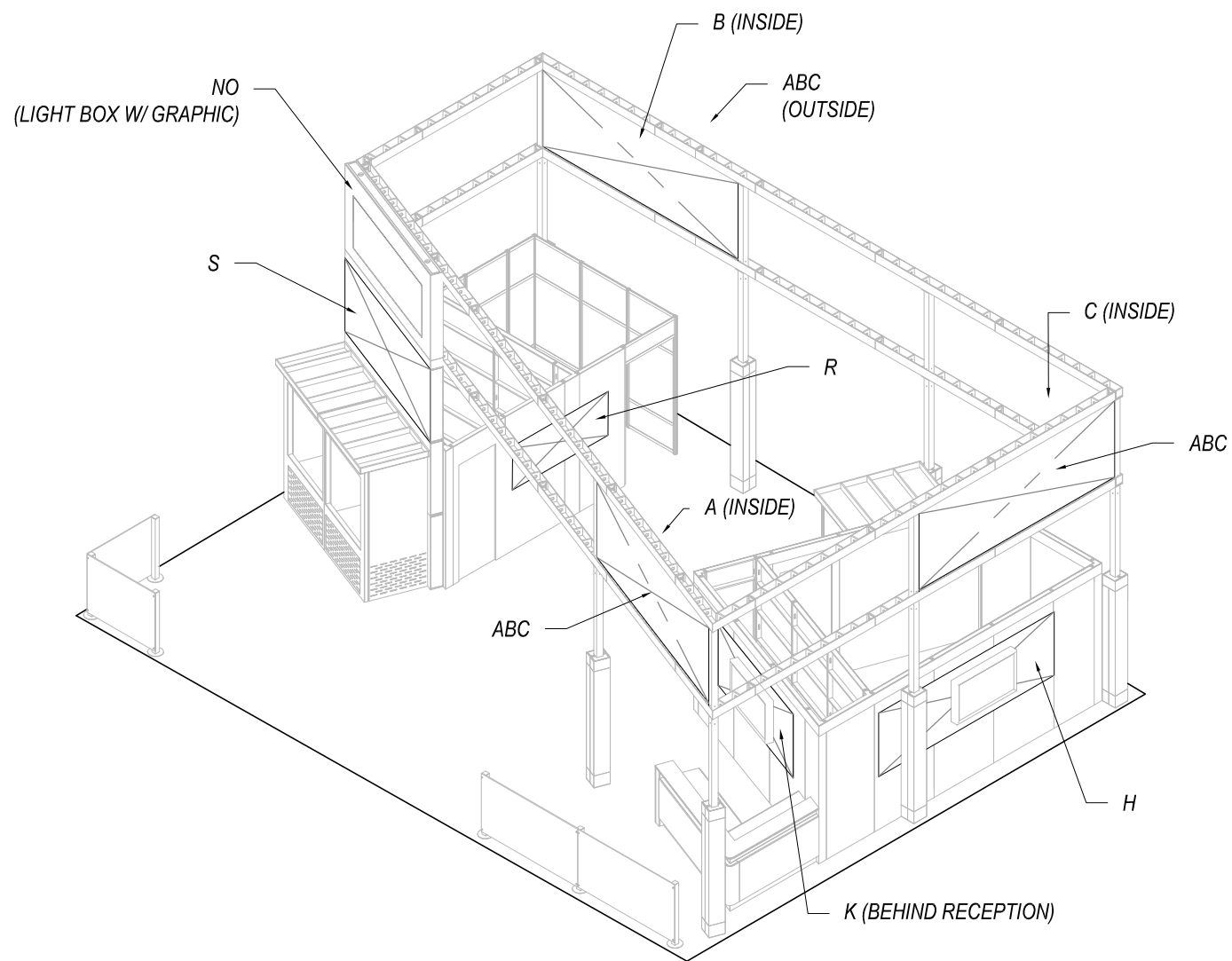
OCEAN MIST

IFA '15

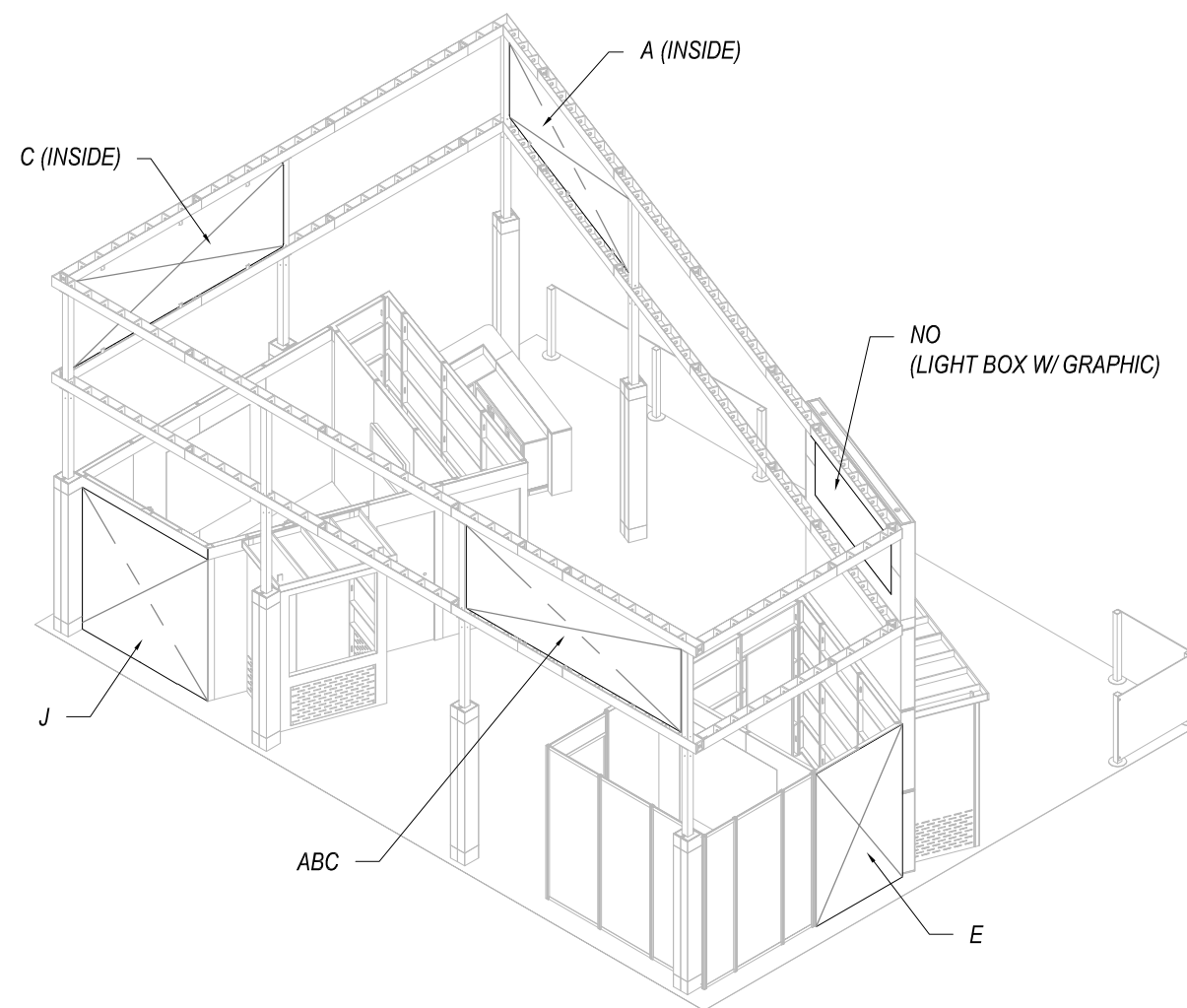
CONFERENCE RM
 CONSTRUCTION
 SET UP NUMBERS

SCALE: AS NOTED
 DRAWN BY: AM
 DATE: 09 - 26 - 15
 JOB #: 4995-200
 DWG. # **S04.03** REV. # -

AE: -
AM: ANNA BAKER
PM: DON CHAVOUS
SHOP LEAD: MIKE GEISER
TECH L: AUSTIN MELTON



1 ISOMETRIC
Scale: 1/8" = 1' - 0"



2 BACK ISOMETRIC
Scale: 1/8" = 1' - 0"

REVISIONS					INIT
REV #	DATE	BY	DATE	INIT	DATE
A					
B					
C					
D					
E					
F					

OCEAN MIST

IFA '15

GRAPHICS
SET UP DRAWINGS

SCALE: AS NOTED

DRAWN BY: AM

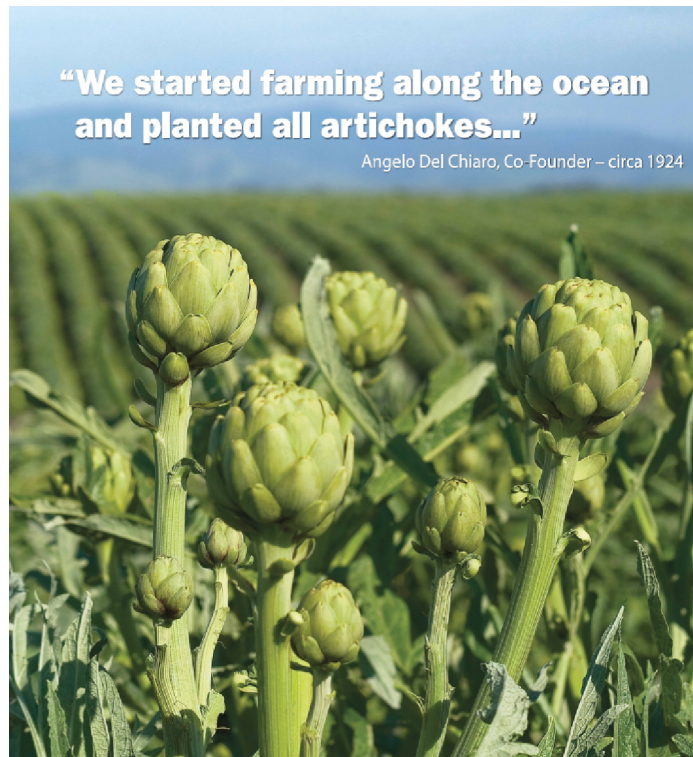
DATE: 10 - 14 - 15

JOB #: 4995-200

DWG. # REV.
S05.01 -



1 GRAPHIC E
 Scale: NTS



3 GRAPHIC J
 Scale: NTS



2 GRAPHIC H
 Scale: NTS



4 GRAPHIC K
 Scale: NTS

1220

3801 VULCAN DRIVE
 NASHVILLE, TN 37211
 Telephone: 615.333.1220
 Fax: 615.331.7141 www.1220.com

AE: -
 AM: ANNA BAKER
 PM: DON CHAVOUS
 SHOP LEAD: MIKE GEISER
 TECH L: AUSTIN MELTON

REVISIONS					
NO.	DATE	BY	DESCRIPTION	INIT	DATE

REV #	DATE	INIT
A		
B		
C		
D		
E		
F		

OCEAN MIST

IFA '15

GRAPHICS
 SET UP DRAWINGS

SCALE: AS NOTED
 DRAWN BY: AM
 DATE: 10 - 14 - 15
 JOB #: 4995-200
 DWG. # **S05.03** REV. # -



1 GRAPHIC R
Scale: NTS



2 GRAPHIC S
Scale: NTS

REV #	DATE	INIT	REVISIONS

OCEAN MIST

IFA '15

GRAPHICS
SET UP DRAWINGS

SCALE: AS NOTED

DRAWN BY: AM

DATE: 10 - 14 - 15

JOB #: 4995-200

DWG. # REV.

S05.04 -