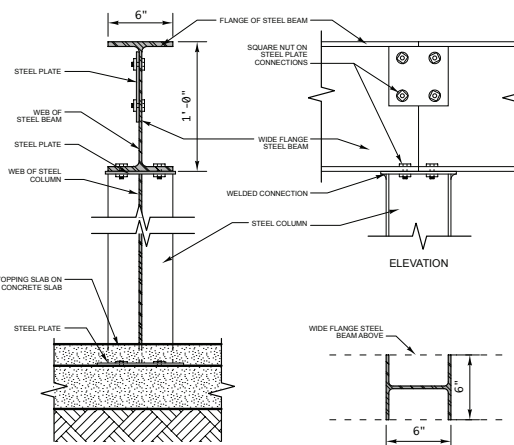


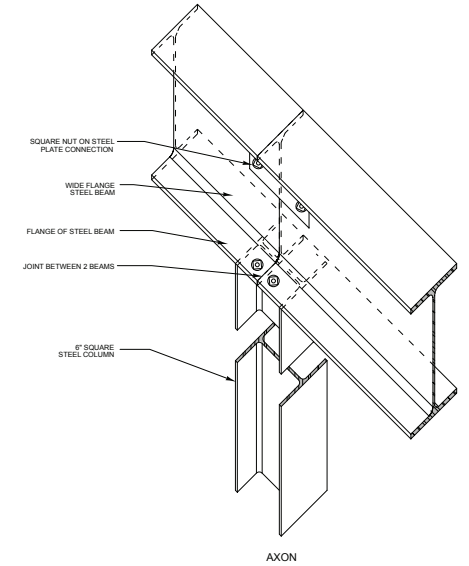


A)

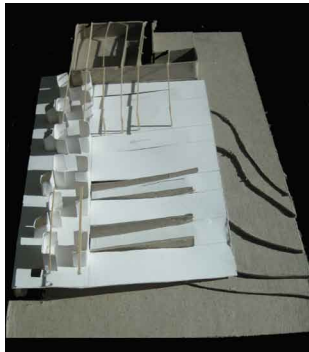


B)

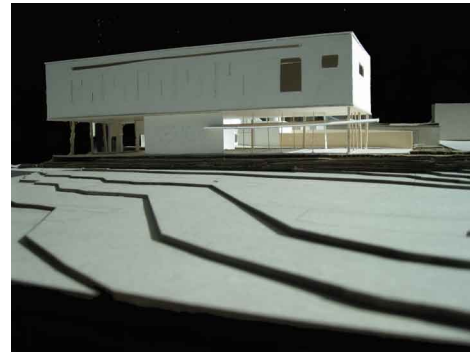
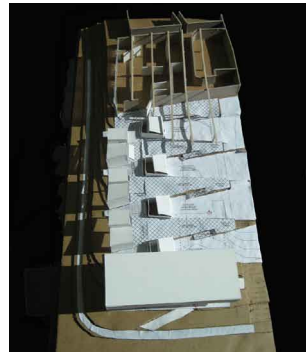
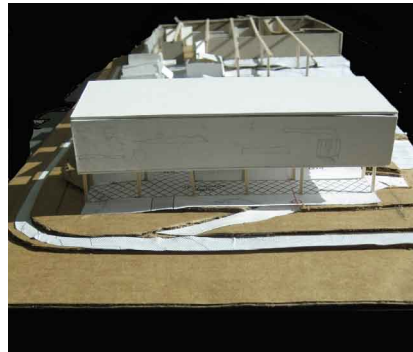
STEEL STRUCTURE DETAILS
SCALE: 1 1/2" = 1'-0"



AXON



C)



D)

