

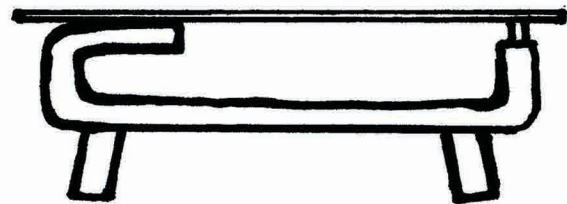
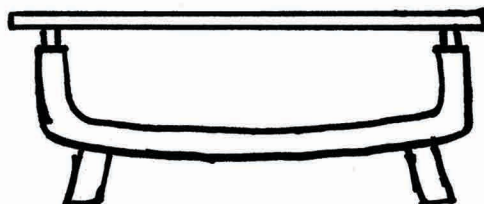
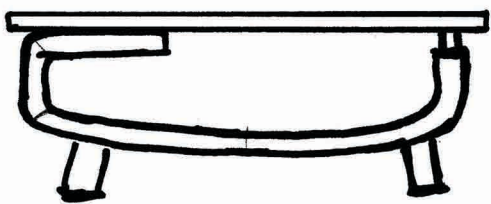
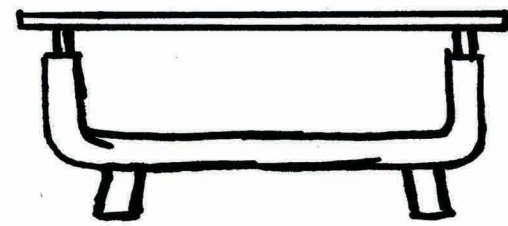
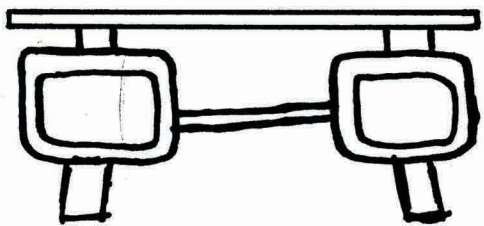
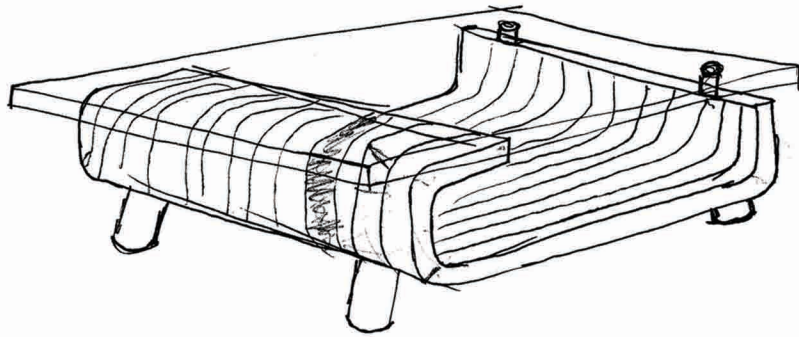
COFFEE TABLE



風林



inspiration



Designed to share the look and feel of Japanese furniture, the coffee table sits very low to the ground while its shape is exentuated through its many curves. Through the use of the rich wood, edged glass, and polished aluminum the piece retained its modern aestheic which brought the entire piece together.

