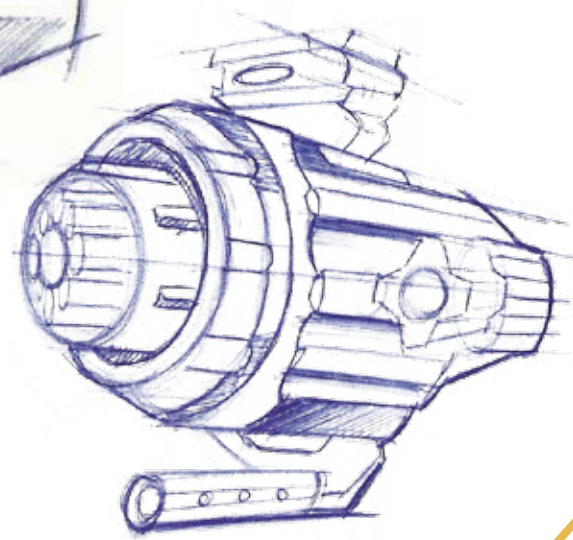
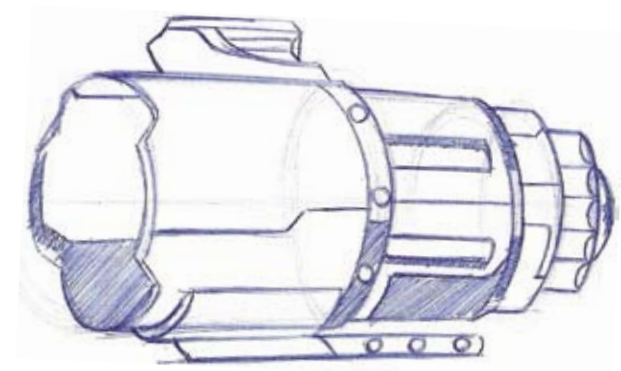
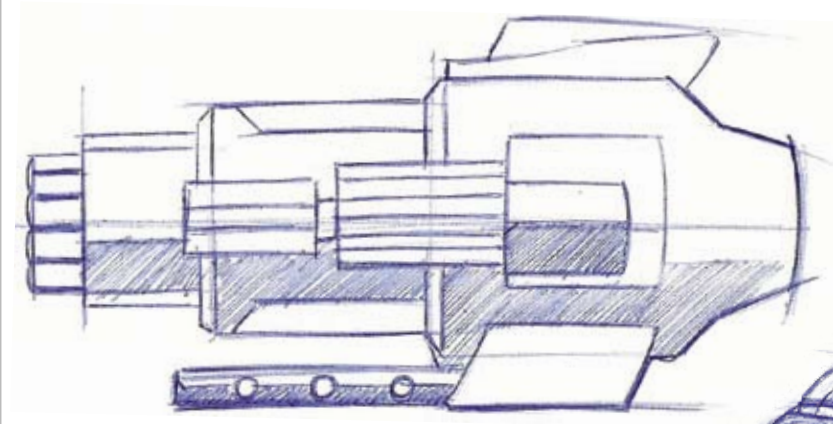
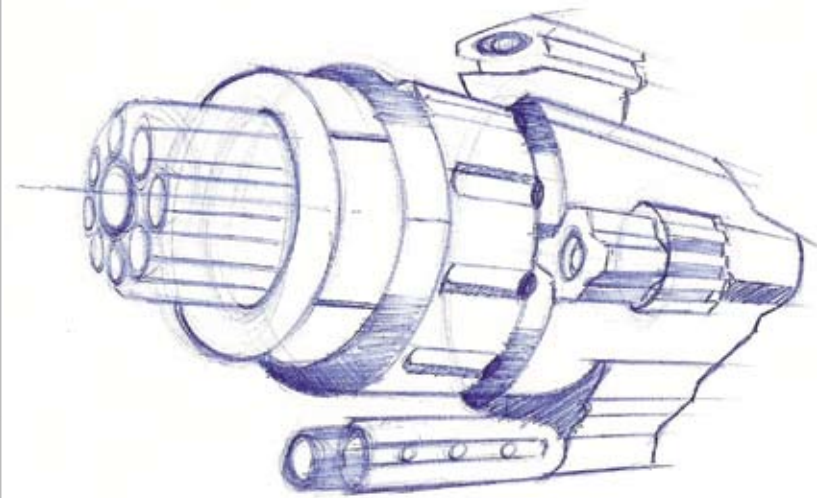
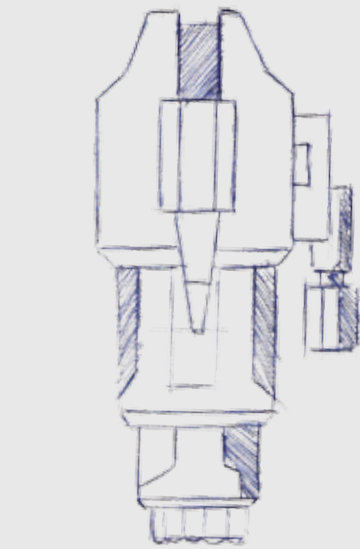
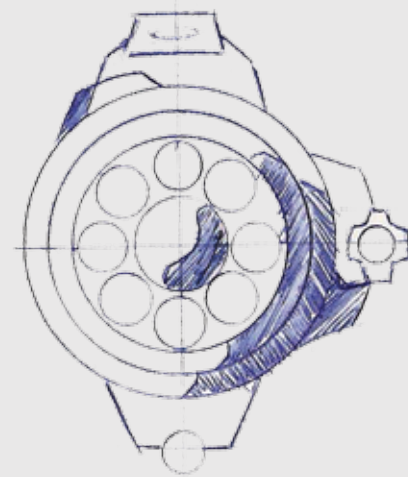
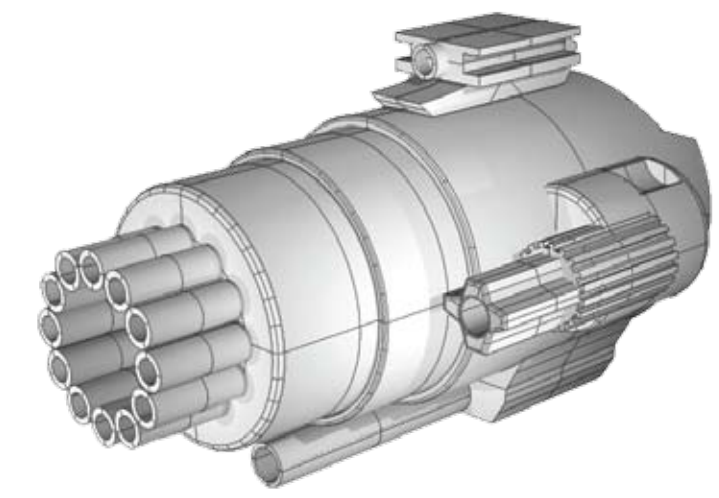
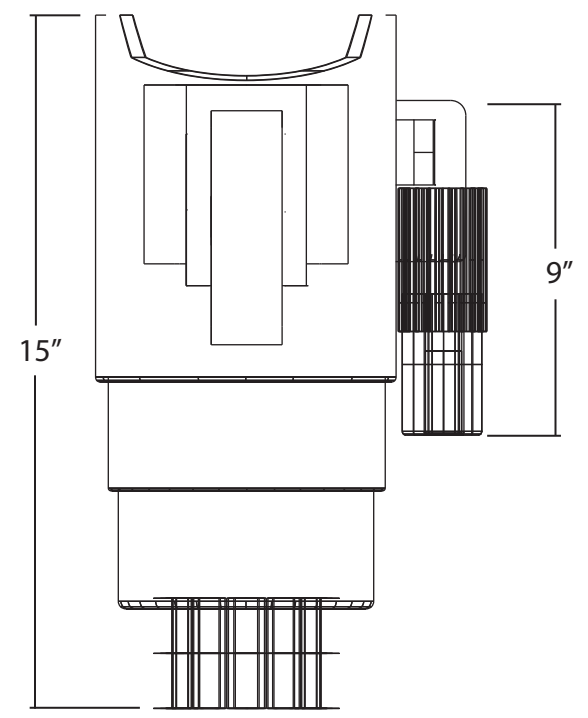
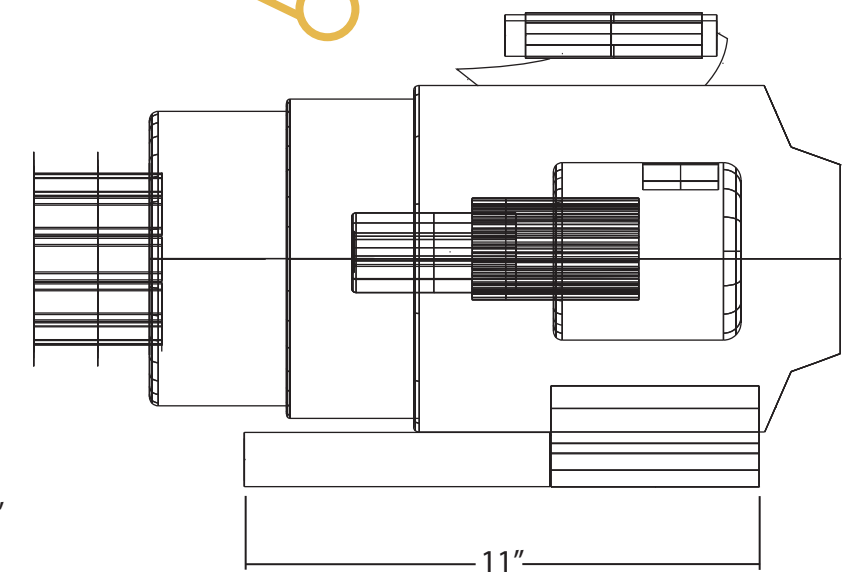
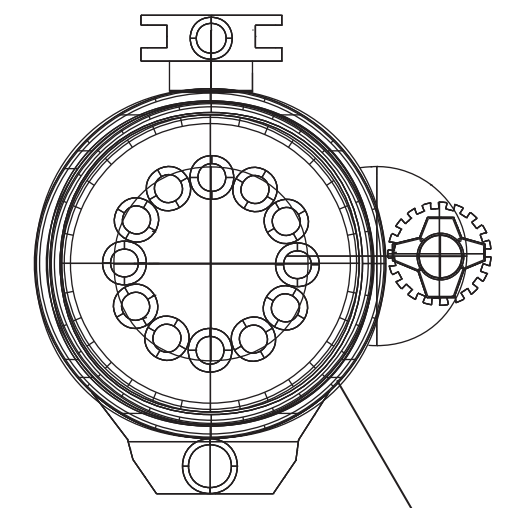


# BUMBLEBEE PLASMA CANNON NERF GUN



C.A.D DRAWINGS



## SKETCHES

THE GOAL OF THIS PROJECT WAS TO DESIGN A TOY WITHIN A LINE OF TOYS BASE ON AN OPCOMING MOVIE. BUMBLEBEE'S PLASMA CANNON WOULD BE THE FIRST TOY RELEASED .THE FOLLOWING TOYS WOULD INCLUDE OPTIMUS PRIME AND THE REST OF AUTOBOTS UNIQUE WEAPONS.



Jonathan Guayacundo