



PHILADELPHIA COLLEGE OF TEXTILES AND SCIENCE
SCHOOL OF TEXTILES

COLLECTOR: 2005 Catalog No. _____ Name: 76-23478

SAMPLE LOCATION: _____ Count: _____

CROSS INDEXED: 10/21/07 Eng 17 Weight: _____

Height: _____

Width: _____

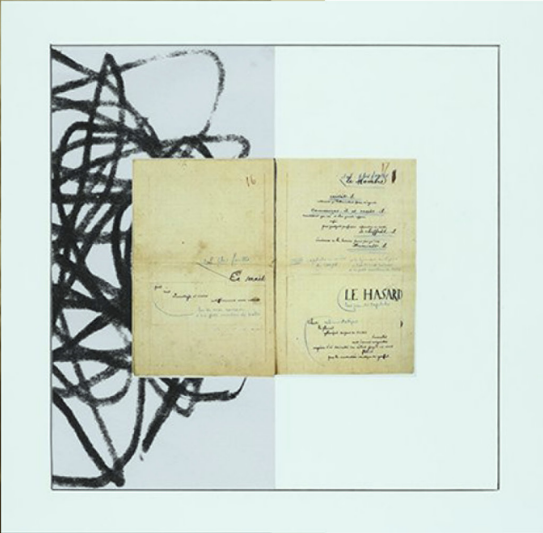
Material: _____

Date of Mfg: 1910-1915

Comments: Completed

Submitter: 10/21/07

Site Catalogued _____



MENSWEAR

U
M
M
E 1
R 5

NOT

DATE:



MONDAY:

TUESDAY:

WEDNESDAY:

THURSDAY:

FRIDAY:

SATURDAY:

SUNDAY:

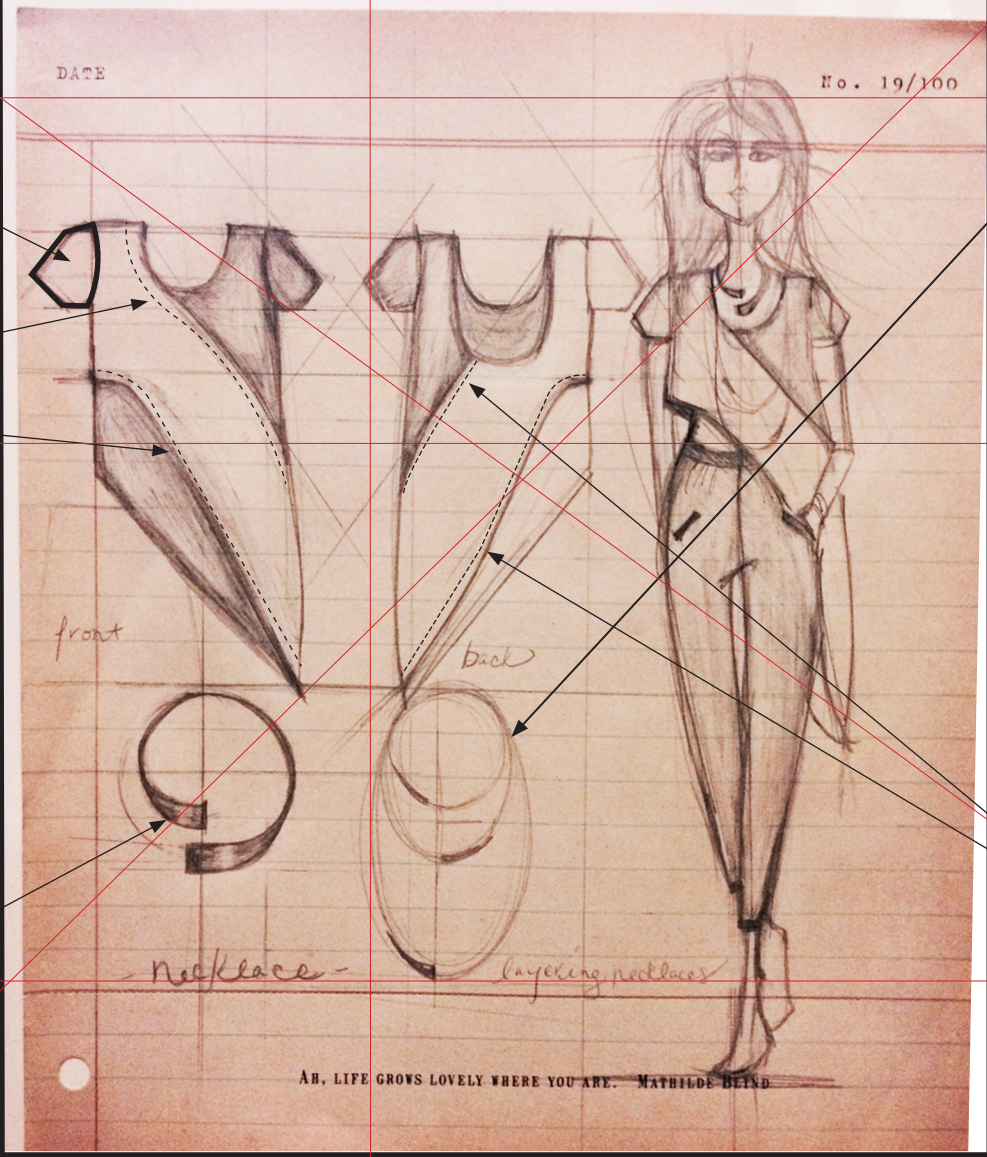
MWSU15



WOMENSWEAR
SP/SU
15



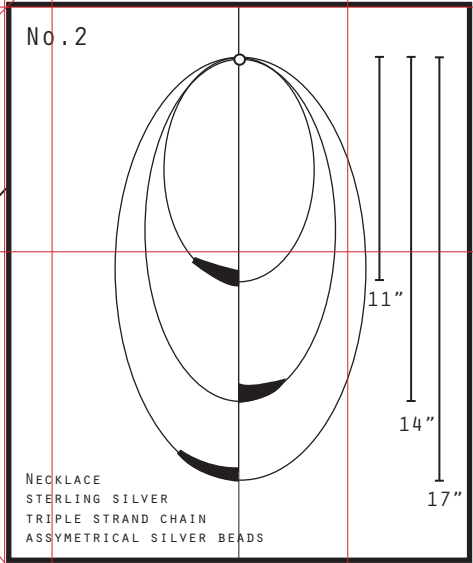
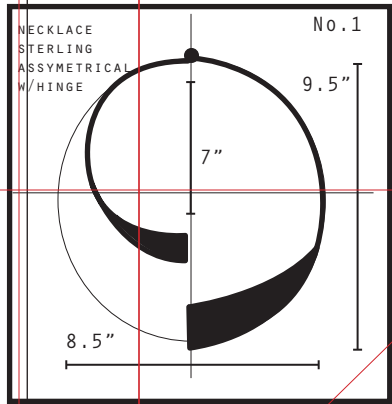
No. 1
ILLUSTRATION



GEOMETRIC
SET IN SLEEVE

FRONT:
ASYMMETRICAL HEM
TOP-STITCHING

@ 1/4" FROM
SEAM



BACK:
ASYMMETRICAL HEM
TOP STITCHING

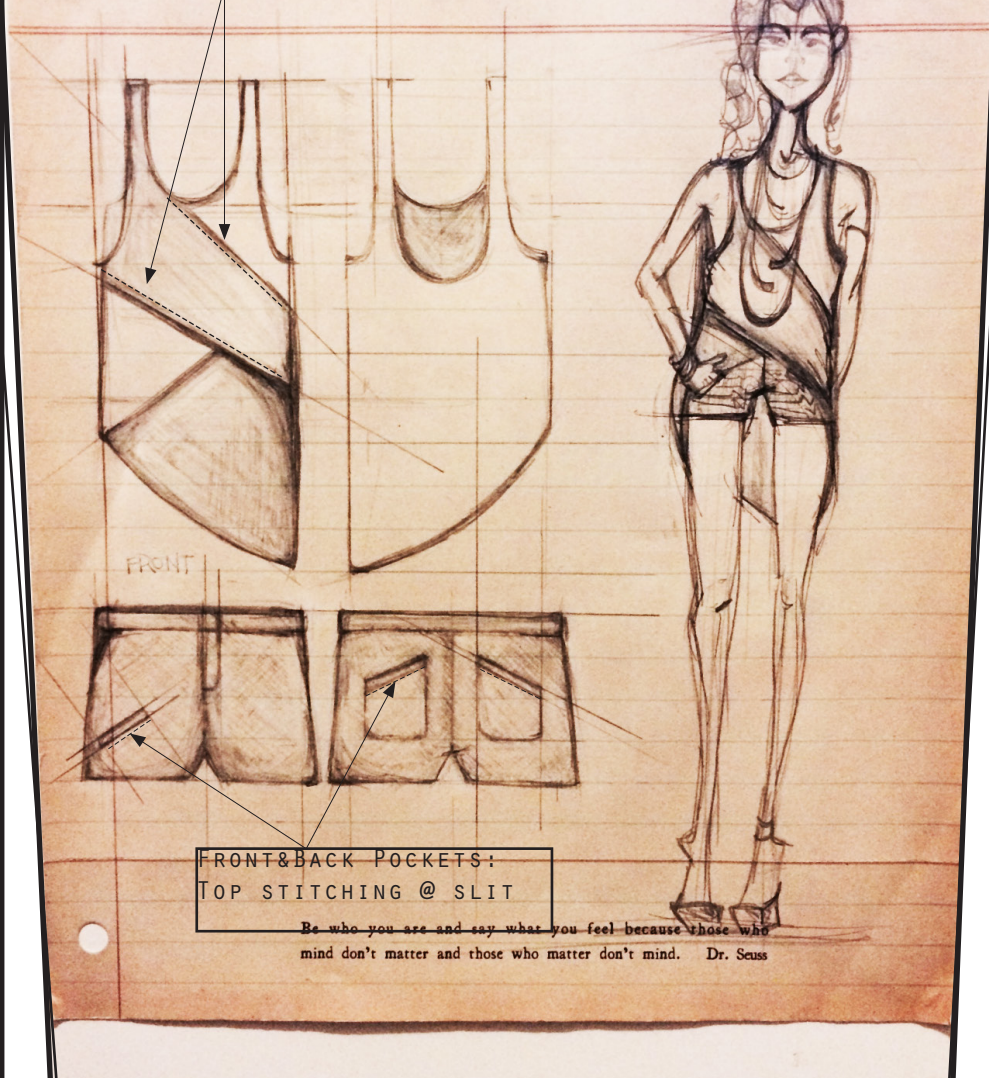
@ 1/4" FROM
SEAM

No. 2
ILLUSTRATION

DATE

FRONT:
TOP-STITCHING @ SEAM
1/4"

No. 18/100

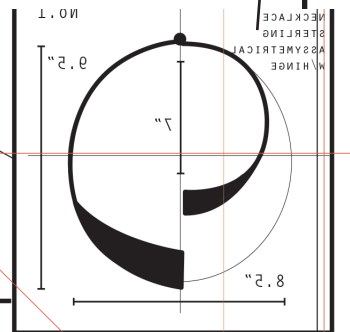
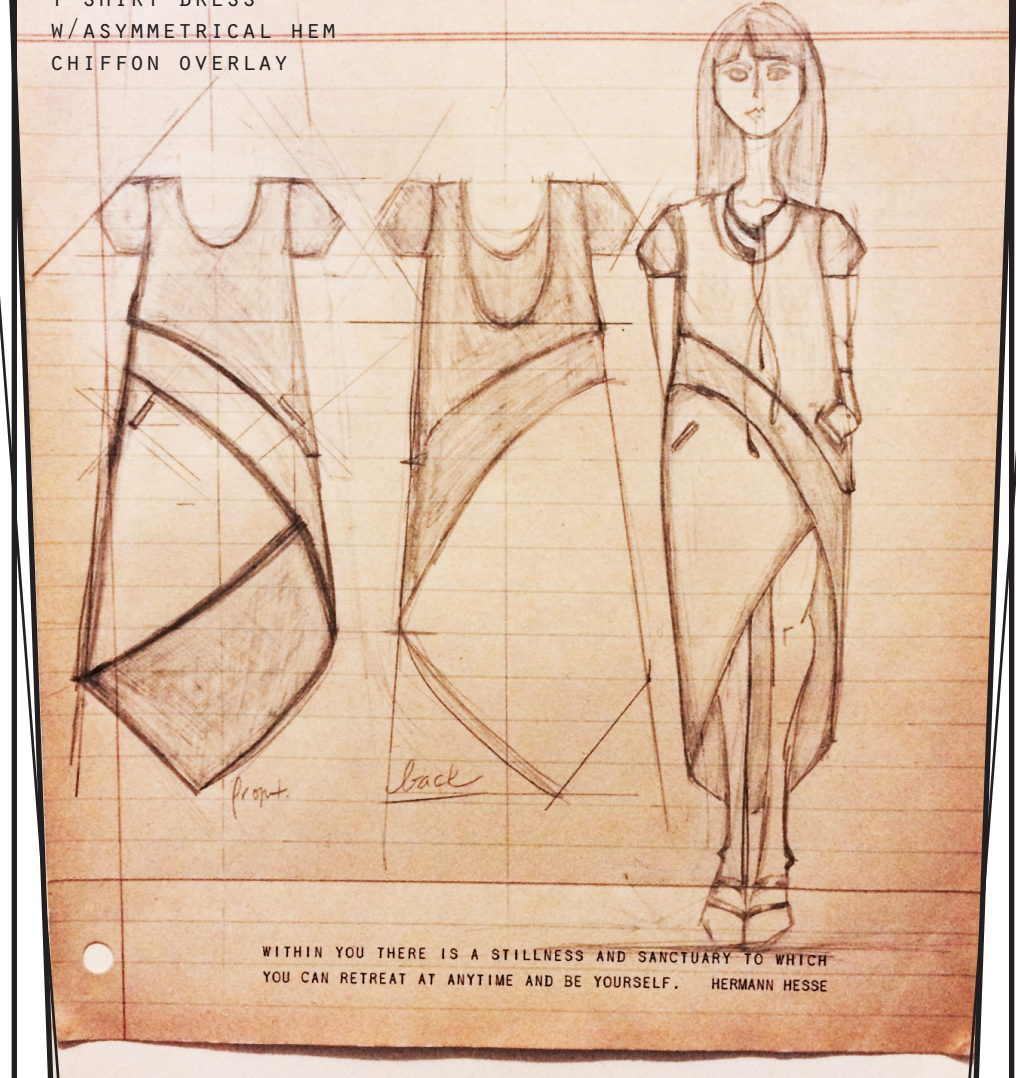


No. 3
ILLUSTRATION

DATE

T-SHIRT DRESS
W/ASYMMETRICAL HEM
CHIFFON OVERLAY

No. 20/100



1930



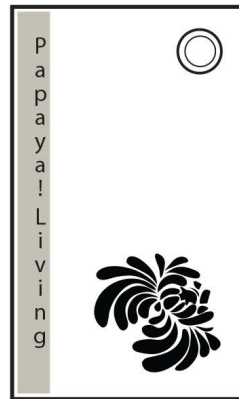
HYPERTHESIS VISUAL
LAB IS AN ART AND DESIGN
COMMUNICATION
GROUP FORMED TO
EXPLORE NEW INNOVATIONS

DISCIPLINE

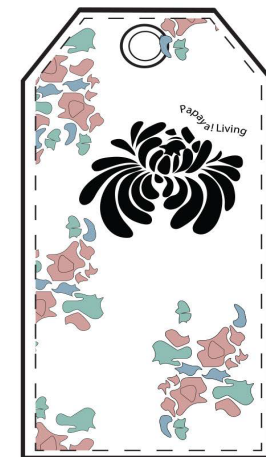
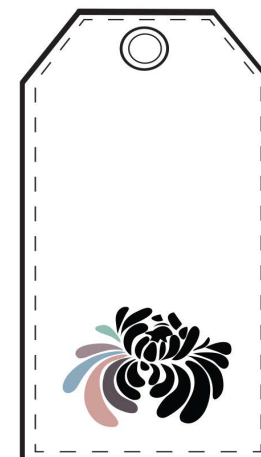
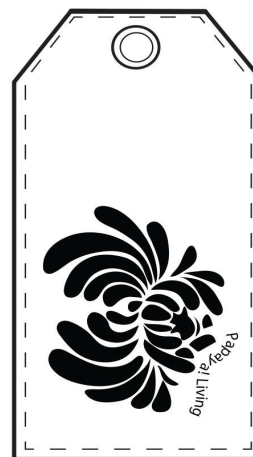
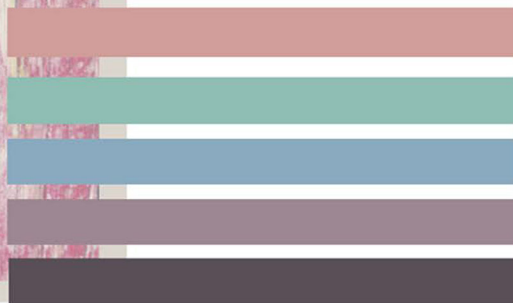
IN ALL

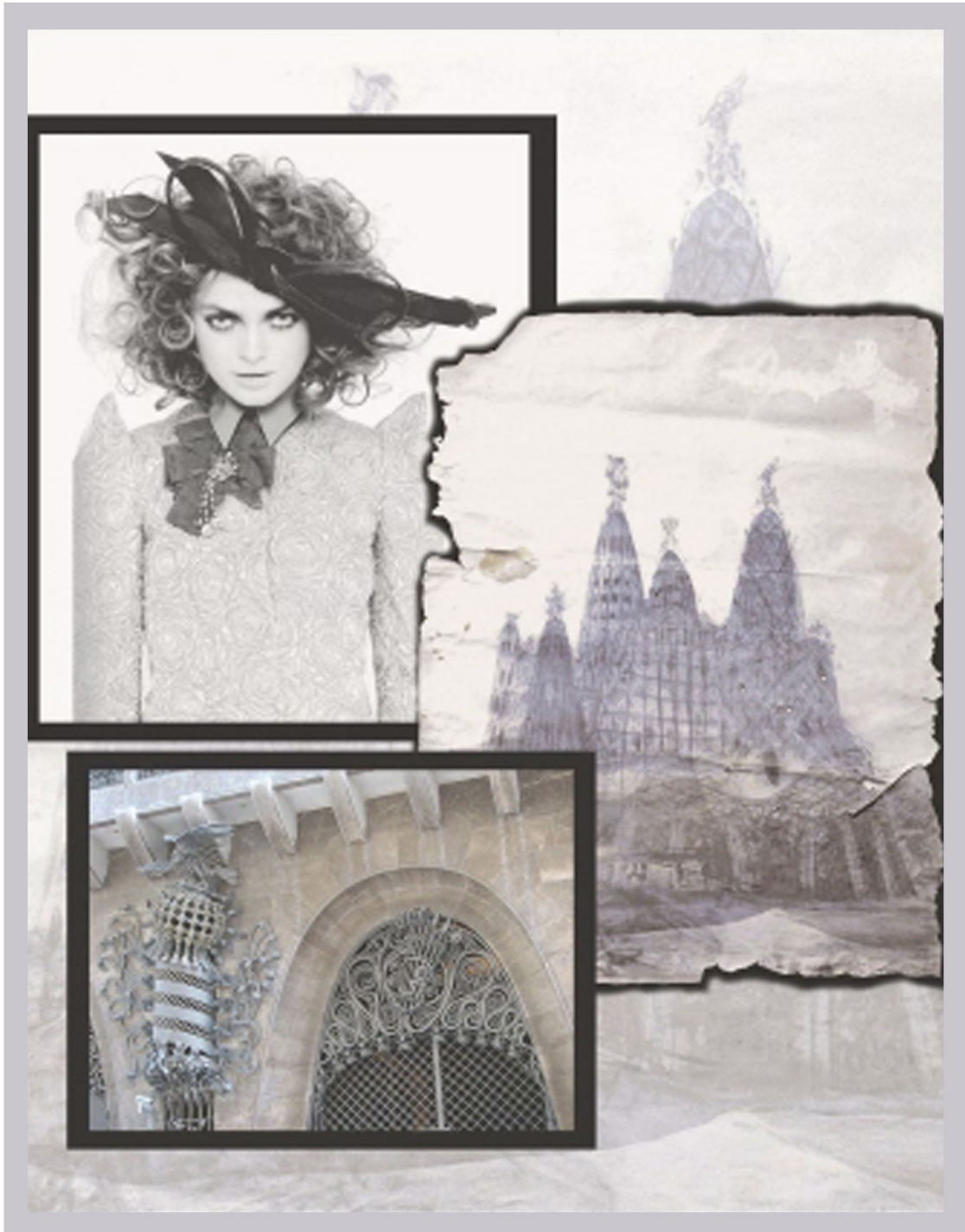


INTERIORS
SPRING
15



WOMENSWEAR
WINTER 15





Modern Marie
Senior Thesis



