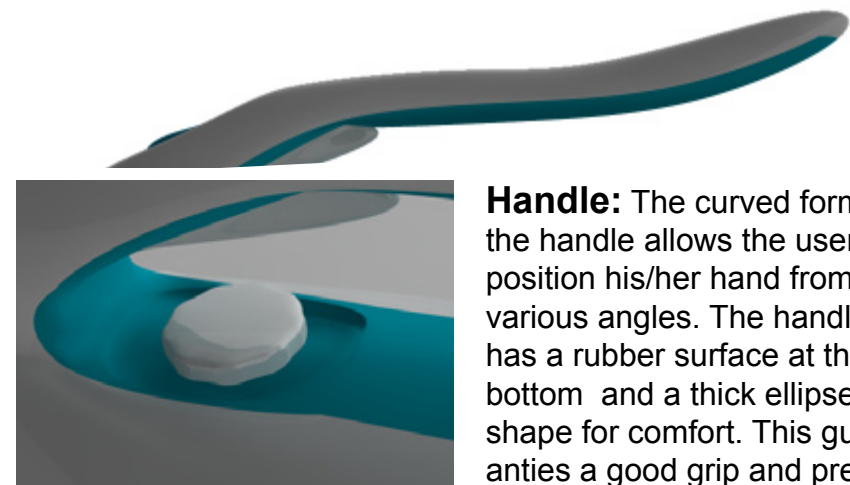
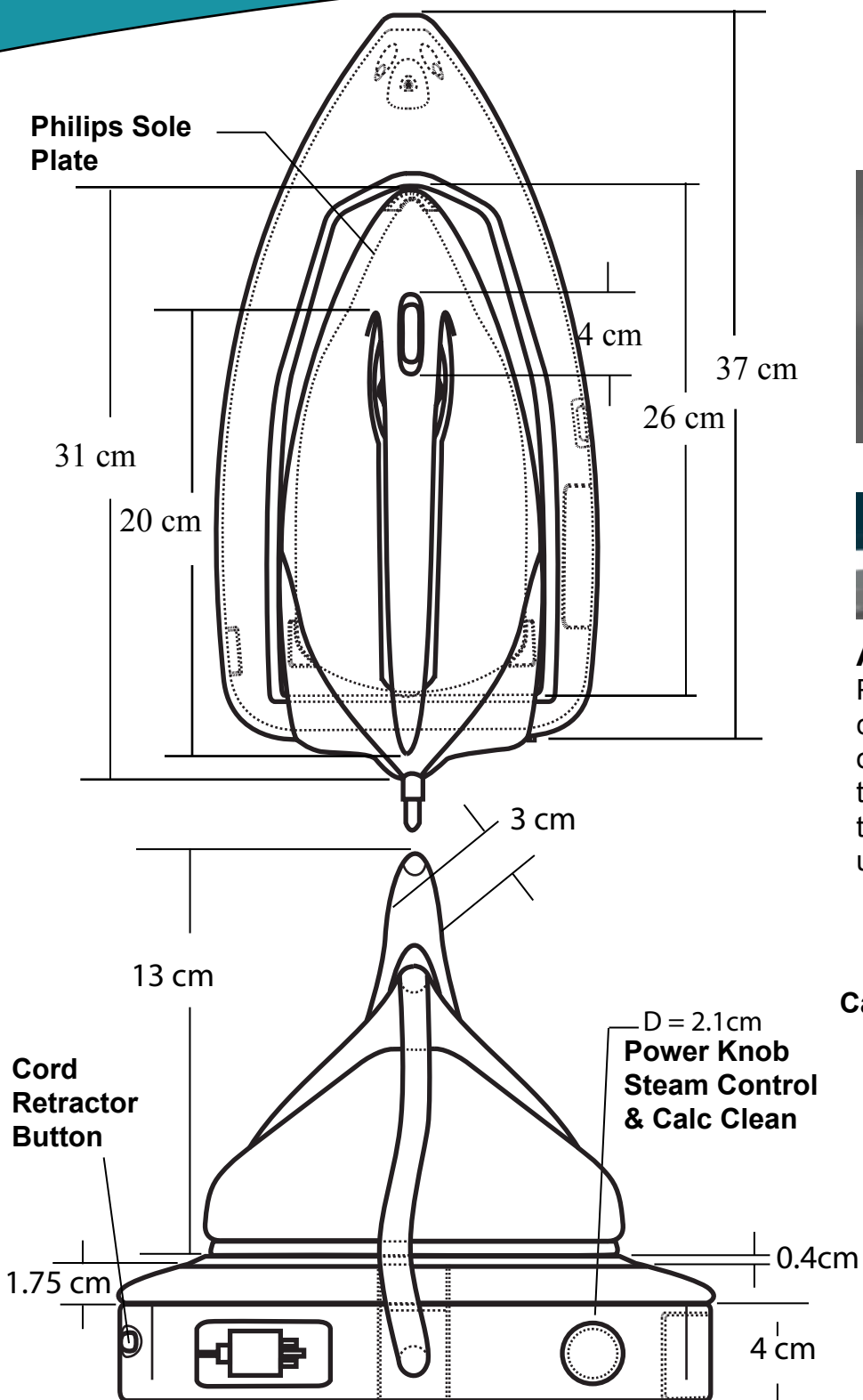
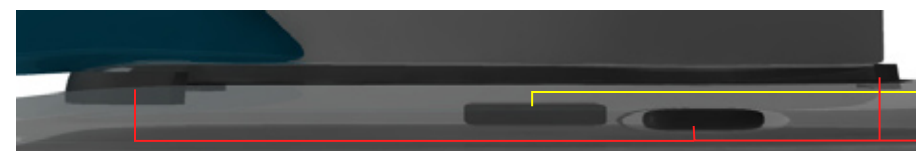


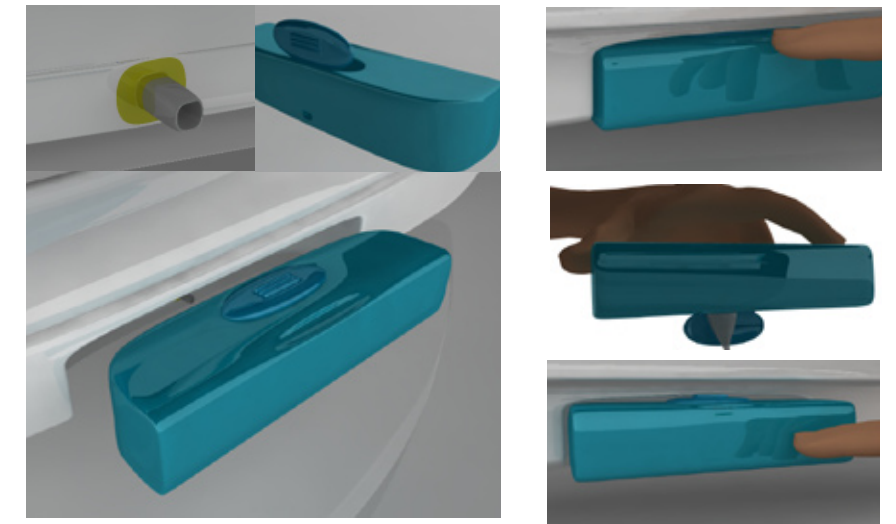
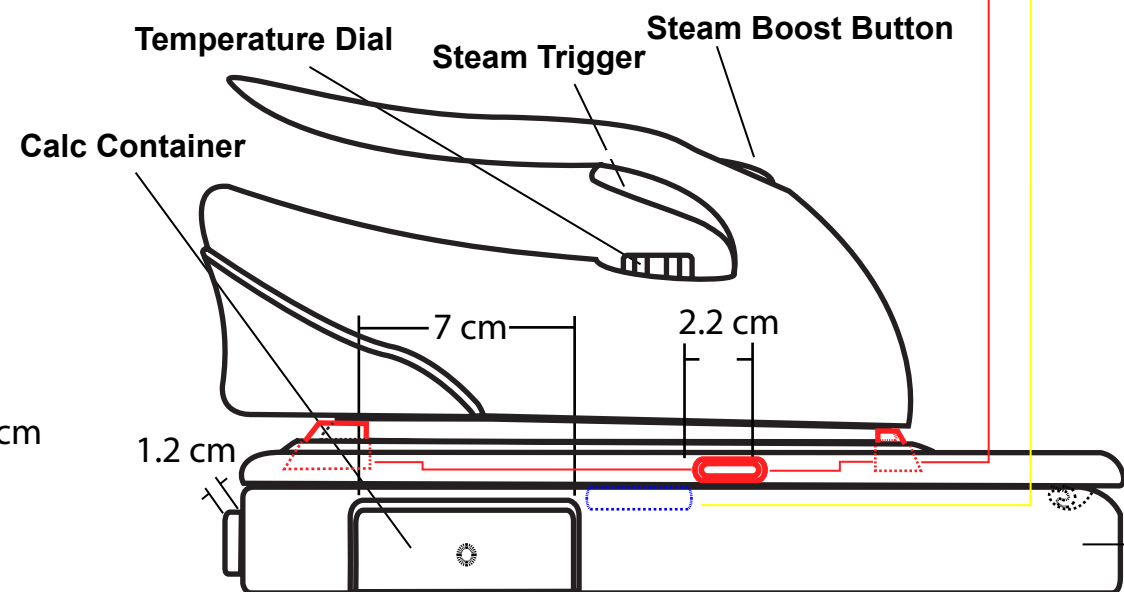
i-flow Specifications



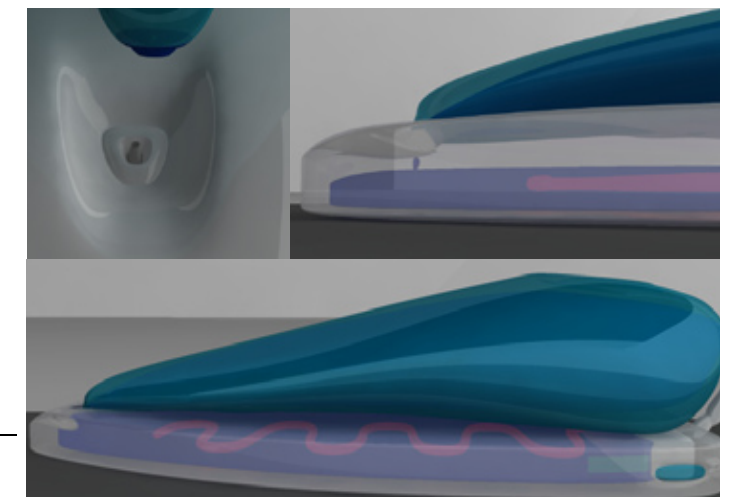
Handle: The curved form of the handle allows the user to position his/her hand from various angles. The handle has a rubber surface at the bottom and a thick ellipse shape for comfort. This guarantees a good grip and prevents fatigue during ironing.



Auto-lock System Integration: (Design based on existing Phillips lock system) When pressing the grey button, 3 locking clamps come up from the top surface of the base unit and lock onto the sole plate to allow the unit in its entirety to be carried together. An earth magnet locks the top and bottom surfaces of the base unit together to prevent them from separating when the unit is carried.



Calc - Clean System Integration: (Based on utilizing Phillips Calc Cleaning System) Once the calc clean process is completed inside the heating compartment, the Calc is collected through a metal connector to a detachable plastic container located on the lower right hand side of the base unit. The user can then remove the Calc container and open it for easy disposal.



Once the silicon bag is connected to the base unit, water can then easily enter the heating compartment. There water can safely be heated to steaming temperatures where it will later be transferred to the iron through a hose.