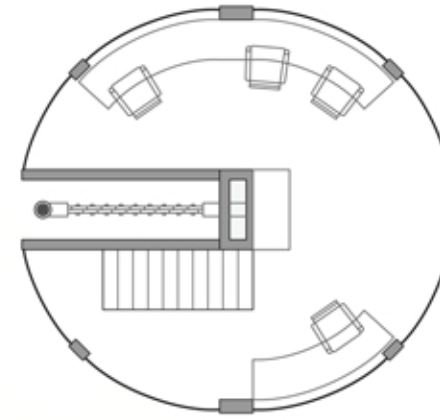
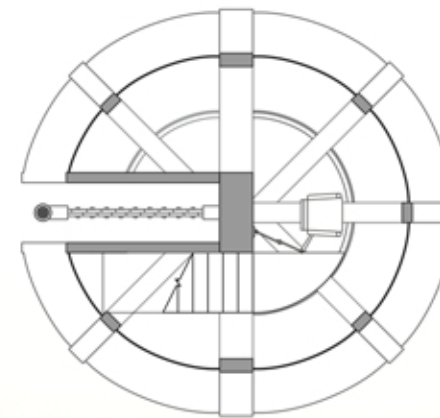


Extension Studies



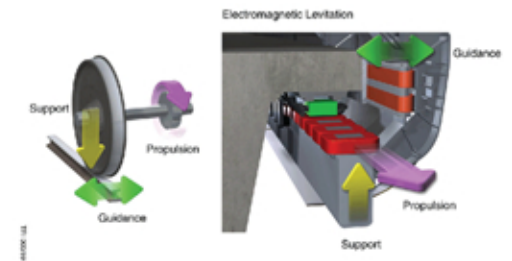
Experimentation Level Plan



Observation Level Plan



Comparison of Systems Railroad / Maglev Terrapoint International



Magnetic Propulsion

