

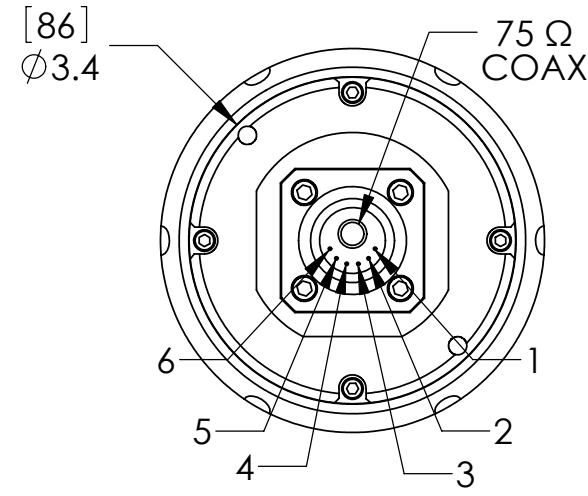
PROPRIETARY AND CONFIDENTIAL

THE INFORMATION CONTAINED IN THIS DRAWING IS THE SOLE PROPERTY OF SIDUS SOLUTIONS LLC. ANY REPRODUCTION IN ANY PART OR AS A WHOLE WITHOUT THE WRITTEN PERMISSION OF SIDUS SOLUTIONS LLC. IS PROHIBITED.

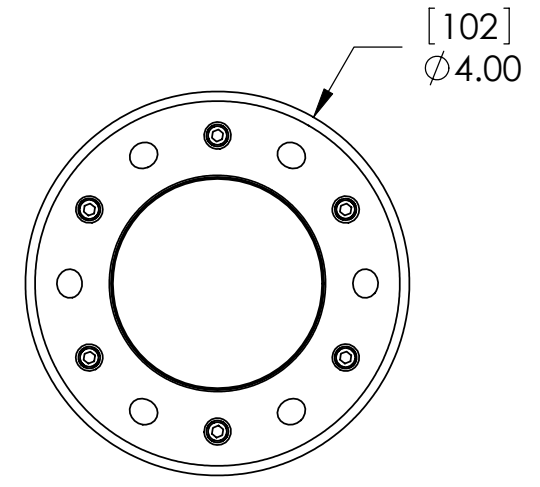
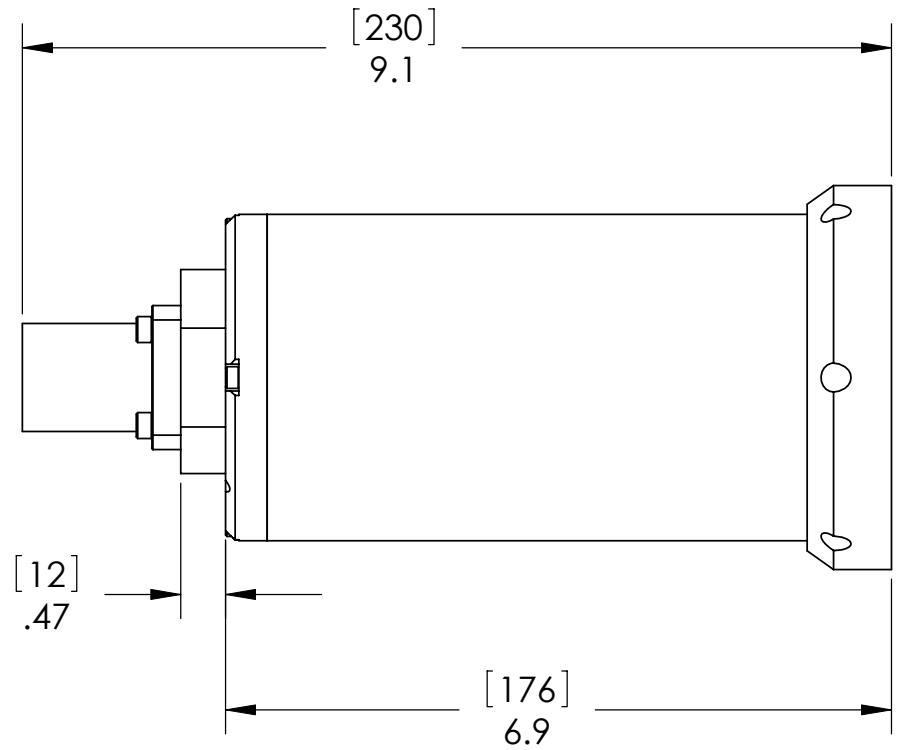
NOTES: UNLESS OTHERWISE SPECIFIED


1. MATERIAL: HARD ANODIZED 6061-T6 ALUMINUM HOUSING, ACRYLIC WINDOW
2. WEIGHT IN AIR: 6 lb/ 3 kg, WEIGHT IN WATER: 3.5 lb/ 1.8 kg
3. OPERATING DEPTH: 10,000ft/ 3,000m
4. OPERATING TEMPERATURE: 0 °C TO 45 °C (32 °F TO 113 °F)
5. OPERATING VOLATAGE: 12 TO 24 VDC
6. VIDEO OUTPUT: HD-SDI
7. RESOLUTION: 1080i
8. SENSOR: CMOS
9. MINIMUM ILLUMINATION: 12 lux (F1.8) GAIN +18dB
10. S/N RATIO: 50 dB OR MORE
11. LENS: 5.1mm (WIDE) TO 51mm (TELE)
12. IRIS: AUTO AND MANUAL
13. FOCUS: AUTO AND MANUAL
14. ZOOM: 10X OPTICAL (F1.8 TO F2.1)
15. FIELD OF VIEW: Approx. 50° (WIDE)DIAGONAL IN WATER TO Approx. 5° (TELE) DIAGONAL IN WATER
16. CONNECTOR: SEACON MINICON MIN-L: 1 COAX, 6 ELECTRIC

REVISIONS				
REV.	DESCRIPTION	DATE	REVISED	APPROVED
A	INITIAL RELEASE	9/17/2010	DP	KS



PIN OUT	
COAX	VIDEO
1	COMMON
2	+24 VDC
3	RS 485 TX-
4	RS 485+
5	N/C
6	N/C



UNLESS OTHERWISE SPECIFIED DIMENSIONS ARE IN INCHES WITH THESE TOLERANCES: DECIMAL .XX ± .01 .XXX ± .005 ANGLE ±1.0°	APPROVALS	DATE	 SIDUS Custom HD Camera
	DRAWN D. PROCTOR	9/07/10	
	CHECKED		
	ENG APPR.		
INTERPRET GEOMETRIC TOLERANCING PER: ANSI-Y14.5M	MFG APPR. K. STEEVES	9/17/10	
MATERIAL	COMMENTS:		
FINISH	CAD GENERATED DRAWING, DO NOT UPDATE MANUALLY		
DO NOT SCALE DRAWING			SIZE B DWG. NO. 904027301 REV A SCALE: 1:2 PART FILE: PRT SHEET 1 OF 1