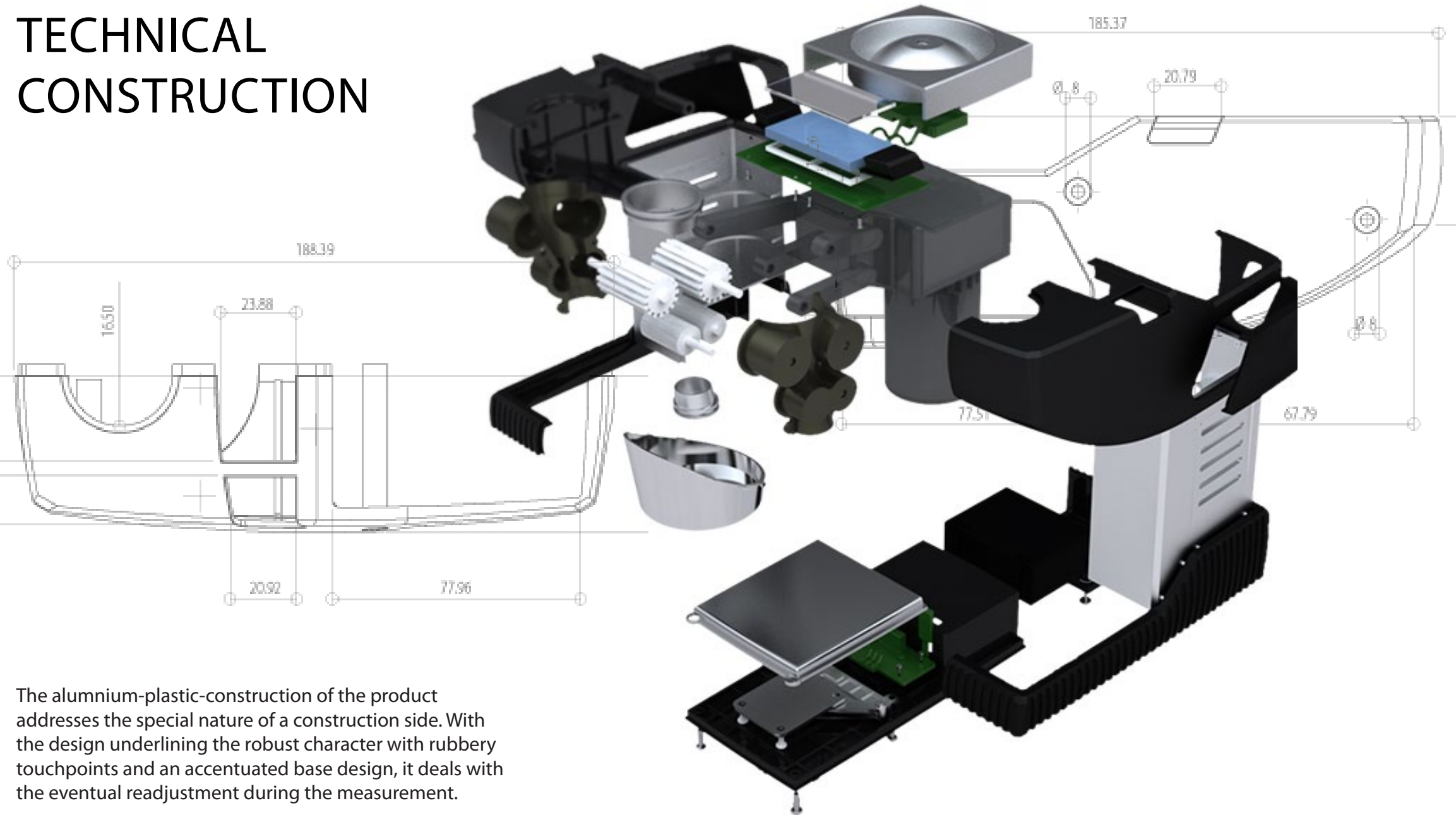


# TECHNICAL CONSTRUCTION



The aluminium-plastic-construction of the product addresses the special nature of a construction side. With the design underlining the robust character with rubbery touchpoints and an accentuated base design, it deals with the eventual readjustment during the measurement.