

BLAZE KING

Gas Stoves and
Fireplace Inserts



Torino II



Design

The Torino II has a beautiful curved design that softens its appearance and allows it to blend in with any décor. The one piece ceramic burner and log set create a realistic and attractive fire. The ceramic brick liner and Drift Wood log set styling are beautiful and unique to the Torino II.

Performance

Special features like a large heat exchanger and ceramic burner makes the Torino II one of the most efficient heaters on the market. It has a steady state efficiency of 82% (73% P.4) to help reduce your heating costs significantly. The variable speed fan distributes air evenly throughout your home.

Operation

The Torino II comes with a standard remote thermostat for ease of operation. The remote will automatically control the heat output of your stove as the temperature changes. It can raise or lower the flame and eventually turn the flame off. The stove will restart when the remote thermostat calls for heat again.

Torino II Performance

Heats 800 - 1800 Square Feet
Electronic Ignition or Standing Pilot
Remote Control Thermostat
5 piece Drift Wood Log set
7 Color Brick liner
Standard Variable Speed Fan
Unique Curved Design

Specifications	NG	LP
Input Btu's	30,500	30,500
Efficiency - Steady State	80.5%	78%
Efficiency - AFUE	TBA	TBA
Efficiency - P.4 EnerChoice	73%	73%
Turndown	33%	50%

Contemporary

Design

The Contemporary, having a smaller foot print, is designed as an efficient zone heater. It too has a beautiful curved design that softens its appearance and allows it to blend in with any décor.

The design has a unique burner system and ceramic log set that creates a real and attractive fire.

Performance

At 27,000BTUs the Contemporary is a powerful heater and capable of heating from 600 to 1500 sq. ft. The performance of the Contemporary will help you reduce your heating costs as it has a steady state efficiency of 81% (62.8% P.4).

Operation

The contemporary will work during a power outage and is compatible with most wall thermostats and remote controls for ease of use. The standard variable speed fan helps to distribute air evenly throughout your home.



Contemporary Performance

Heats 600 - 1500 Square Feet
 Standing Pilot
 3 piece Ceramic Log set
 6 Color Ceramic Brick liner
 Standard Variable Speed Fan
 Unique Curved Design

Specifications	NG	LP
Input Btu's	27,000	27,000
Efficiency - Steady State	71%	71%
Efficiency - AFUE	61.84%	61.84%
Efficiency - P.4 EnerChoice	62.8%	62.8%
Turndown	33%	33%

Tuscany



Tuscany Performance

Heats 600 - 1500 Square Feet
 Standing Pilot
 3 piece Ceramic Log set
 6 Color Ceramic Brick liner
 Standard Variable Speed Fan
 Unique Curved Design

Specifications	NG	LP
Input Btu's	27,000	27,000
Efficiency - Steady State	71%	71%
Efficiency - AFUE	61.84%	61.84%
Efficiency - P.4 EnerChoice	62.8%	62.8%
Turndown	33%	33%



Design

As its name suggests, the unique design of the Tuscan has an old world appearance, one of permanence and history. The Tuscan has a beautiful cast iron exterior. Our designers used the unique qualities of cast iron to create a beautiful piece of furniture. The cast iron doors open to show a ceramic log set, brick liner and realistic fire.

Performance

The Tuscan, at 27,000 BTUs, is capable of heating from 600 to 1,500 sq. ft. The standard variable speed fan helps to distribute the heated air evenly throughout your home.

Operation

All Blaze King Gas units will work during a power outage. The Tuscan will operate with most wall thermostats or remote controls

Torino II Insert

Design

The Torino II Insert has a beautiful curved design that softens its appearance. The surround panel is tiered and two tone in color. This combination acts as a picture frame to draw your eye to the fire. The one piece ceramic burner and unique "Drift Wood" ceramic log set creates an attractive fire. The 7 color ceramic brick liner adds to the beauty and the uniqueness of the Torino II.

Performance

Special features like a large heat exchanger and ceramic burner makes the Torino II Insert one of the most efficient heaters on the market. It has a steady state efficiency of 82% (73% P.4) to help reduce your heating costs significantly. The variable speed fan helps to distribute air more evenly throughout your home. The Torino II valve system offers an intermittent pilot option for improved efficiencies.

Operation

The Torino II Insert comes with a standard remote thermostat for ease of operation. The remote will automatically control the heat output. The stove will restart when the remote thermostat calls for heat again. It can raise or lower the flame and eventually turn the flame off. You can also adjust the fan speed with the remote control.



Torino II Performance

Heats 600 - 1600 Square Feet
Electronic Ignition or Standing Pilot
Remote Control Thermostat
5 piece Drift Wood Log set
7 Color Brick liner
Standard Variable Speed Fan
Unique Curved Design

Specifications	NG	LP
Input Btu's	30,500	30,500
Efficiency - Steady State	80.5%	78%
Efficiency - AFUE	TBA	TBA
Efficiency - P.4 EnerChoice	73%	73%
Turndown	33%	50%

Specifications

Torino II, Contemporary and Tuscany

Clearances to Combustibles (See owner's manual for complete list prior to install)

	Torino II	Contemporary	Tuscany
A – Side Wall to Side of Unit	10" (254mm)	11" (275mm)	11" (275mm)
B – Rear Wall to Back of Unit	6" (152mm)	4" (100mm)	4" (100mm)
C – Side wall to Flue Center	23 ³ / ₁₆ " (589mm)	22 ¹ / ₁₆ " (560mm)	25 ¹ / ₄ " (642mm)
D – Adjacent Wall to Corner of Unit	4 ³ / ₈ " (111mm)	2" (50mm)	2" (50mm)
E – Adjacent Wall to Flue Center	17 ¹ / ₄ " (438mm)	14" (356mm)	17 ⁷ / ₁₆ " (443mm)
F – Minimum Ceiling Height	65 ³ / ₄ " (1670mm)	48 ¹ / ₂ " (1232mm)	48 ³ / ₄ " (1239mm)

Torino II Insert

Clearances from edge of side panel to combustible material 4" (100mm)

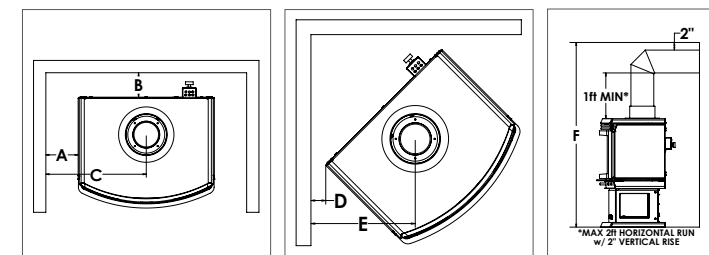
Minimum fireplace opening Front 33¹/₂" Rear 29" Depth 15"

Performance	Torino II	Contemporary	Tuscany	Torino II Insert
Maximum BTU/hr Input NG	30,500	27,000	27,000	30,500
Minimum btu/hr Input NG	20,100	18,000	18,000	20,100
Maximum btu/hr Input LP	30,500	27,000	27,000	30,500
Minimum btu/hr Input LP	15,250	18,000	18,000	15,250
Area Heated (sq.ft.)*	800 to 1,800	600 to 1,500	600 to 1,500	600 to 1,600
Steady State Efficiency NG / LP	78% / 80.5%	71%	71%	78% / 80.5%
AFUE Efficiency NG / LP	TBA	61.84%	61.84%	TBA
EnerGuide FE Rating NG / LP	73% / 73%	62.8% / 62.8%	62.8% / 62.8%	73% / 73%
Shipping weight	215lbs / 98 kg	175lbs / 80 kg	265lbs / 121 kg	215lbs / 98 kg

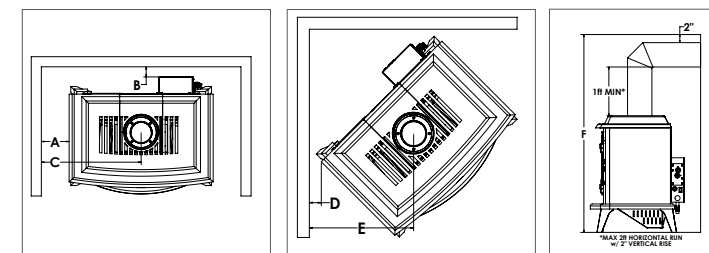
* Area heated will vary according to gas type and venting.

Clearances

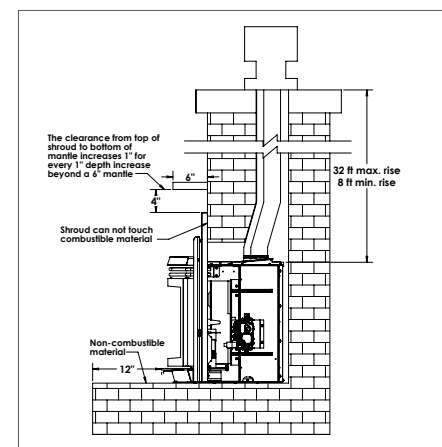
Torino II and Contemporary



Tuscany

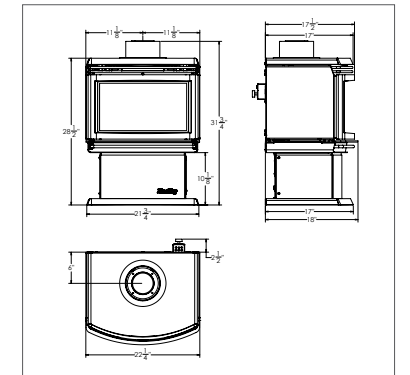


Torino II Insert

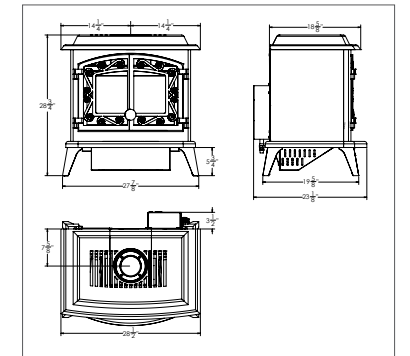


Dimensions

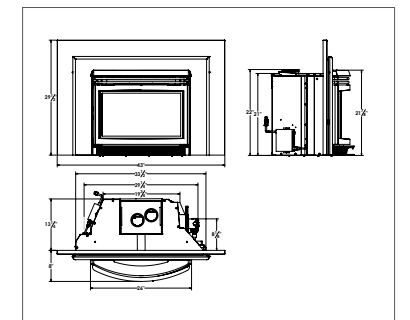
Torino II and Contemporary



Tuscany



Torino II Insert



Blaze King Gas Stoves and Inserts

The Benefits of Owning a Blaze King

No Power No Problem All Blaze King gas units will work during a power outage. This ensures you keep your house warm during emergency situations usually associated with power outages.

The best of Materials We use the best materials available when designing our stoves. We use materials as varied as cast iron, stainless steel, ceramic or a combination of these. This way we ensure your Blaze King will perform for many years.

Warranty All Blaze King gas products come with an extensive Limited Lifetime Warranty. This piece of mind covers your stove from 1 to 10 years, depending on the component. Please see your owner's manual for details.

Performance All Blaze King gas products are amongst the most efficient available. Our higher efficiencies will help to reduce your heating costs while keeping you warm

Design At Blaze King we strive to bring you the best designs possible. Our craftsmen strive to create unique pieces of furniture that are beautiful and timeless.

Features	Torino II	Contemporary	Tuscany	Torino II Insert
Operates during power outages	Yes	Yes	Yes	Yes
Thermostat or remote compatible	-	Yes	Yes	-
Remote control thermostat	S	O	O	S
Ceramic log set	S	S	S	S
Ceramic brick liner	S	S	S	S
Ceramic Burner	S	-	-	S
5mm ceramic glass	S	S	S	S
Heat exchanger	S	S	S	S
Metallic black paint	S	S	O	S
Black Enamel Finish	-	-	O	-
Two tone surround metallic paint	-	-	-	S
Cast iron body and legs	-	-	S	-
Cast iron opening doors	-	-	S	-
Direct vent system 4" x 6 5/8"	S	S	S	-
Direct Vent System 2" x 3"	-	-	-	S
Top vent	S	S	S	-
Variable speed fan	S	S	S	S
Clip-on glass safety screen	S	S	S	S

S = Standard Feature, O = Optional Feature, - = Not available

